

注記 NOTES

1. 使用材料 MATERIAL

ハウジング : 液晶ポリマー (LCP) UL94V-0 (黒)
 HOUSING: LIQUID CRYSTAL POLYMER UL94V-0 (COLOR:BLACK)
 信号用ターミナル : 銅合金
 TERMINAL FOR SIGNAL CIRCUIT : COPPER ALLOY
 電源用ターミナル : 銅合金
 TERMINAL FOR POWER CIRCUIT : COPPER ALLOY

2. メッキ仕様 PLATING

ターミナル (信号用、電源用) TERMINAL FOR SIGNAL AND POWER CIRCUIT
 金メッキ
 GOLD
 下地メッキ : ニッケルメッキ
 UNDER PLATING : NICKEL
 ※コンタクト部とテール部はニッケルメッキによって分断されている金メッキです。
 DIVIDE INTO PARTS THE GOLD PLATING OF THE CONTACT AND THE TAIL PART BY THE NICKEL PLATING.

金具 FITTING NAIL

金メッキ (半田付け部のみ)
 GOLD (SOLDER TAIL)
 下地メッキ : ニッケルメッキ
 UNDER PLATING : NICKEL

4. 嵌合相手: 505006 シリーズ

MATE WITH : 505006 SERIES.

5. テール平坦度は、0.08 以下

TAIL COPLANARITY TO BE 0.08MAXIMUM.

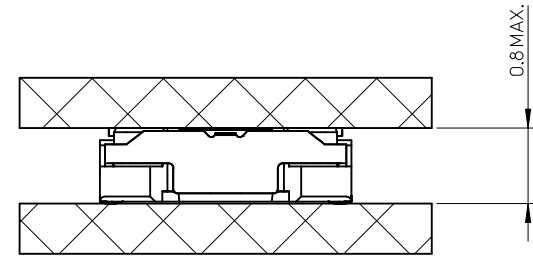
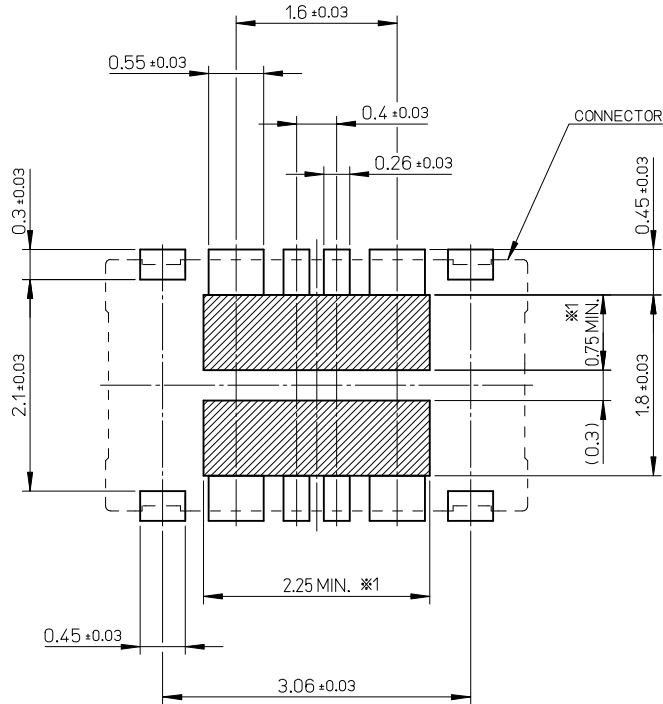
金具の平坦度は、0.1 以下
 FITTING NAIL COPLANARITY TO BE 0.1MAXIMUM.

6. ELV & RoHS適合品

ELV and RoHS COMPLIANT.

4	4	505004-0812	0	---	8
FOR POWER	FOR SIGNAL	EMBOSSSED TAPE PACKAGE	量産品 MASS PRODUCTION	試作対応可 LOW VOL. TOOL	極数 CIRCUIT
使用用途 USAGE	オーダー番号 ORDER NO.	CONNECTOR SERIES No. : 505004-***12		サンプル供給 SAMPLE PREPARATION	

RELEASED EC NO: J2018-0107 DRWN: YAQYAGI 2017/09/26 CHKD: TAKAHASHI 2017/9/28 APPR: NUKITA 2017/09/28 A	GENERAL TOLERANCES (UNLESS SPECIFIED)		DIMENSION STYLE MM ONLY		SCALE 20:1	DESIGN UNITS METRIC	THIRD ANGLE PROJECTION
	0.25 UNDER	±0.03	DRAWN BY SGOTO02	DATE 2014/03/03	TITLE 0.4 BB CONN H=0.75 BATTERY REC ASSY		
	0.25 OVER 0.5 UNDER	±0.05	CHECKED BY KTAKAHASHI	DATE 2017/9/28			
	0.5 OVER 1.0 UNDER	±0.1	APPROVED BY NUKITA	DATE 2017/09/28			
	1.0 OVER 10 UNDER	±0.2	MATERIAL NO. SEE TABLE		DOCUMENT NO. SD-505004-005	SHEET NO. 1 OF 2	
10 OVER 30 UNDER	±0.25	DRAFT WHERE APPLICABLE MUST REMAIN WITHIN DIMENSIONS					
30 OVER	±0.3	THIS DRAWING CONTAINS INFORMATION THAT IS PROPRIETARY TO MOLEX ELECTRONIC TECHNOLOGIES, LLC AND SHOULD NOT BE USED WITHOUT WRITTEN PERMISSION					



嵌合状態
MATED CONDITION

推奨基板寸法 (参考)
 推奨メタルマスク厚: $t=0.1\text{mm}$ / 推奨メタルマスク開口率: 80%
 RECOMMENDED P.W.BOARD PATTERN LAYOUT (REFERENCE)
 RECOMMENDED THICKNESS OF METAL MASK: $t=0.1\text{mm}$
 RECOMMENDED OPEN APERTURE RATIO OF METAL MASK: 80%

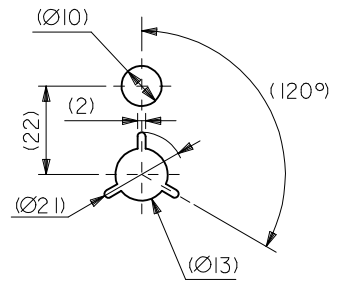
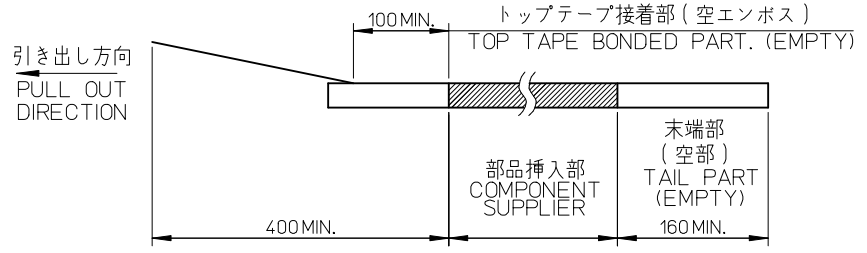
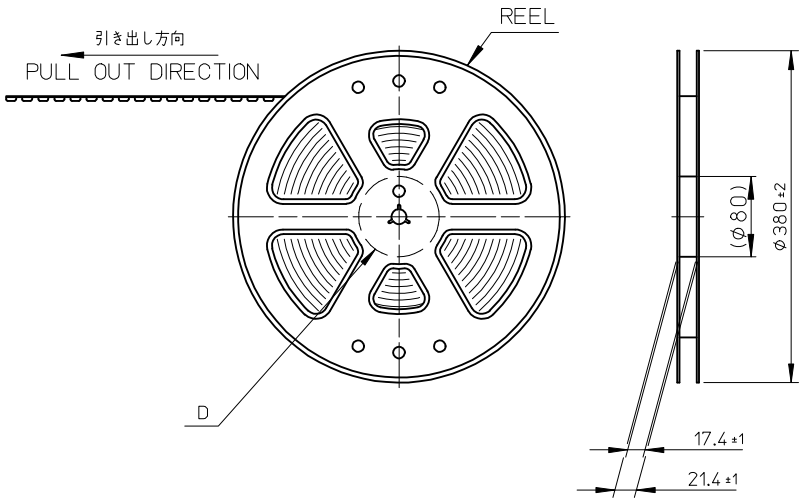
※1 パターン引き直し、および半田禁止エリア
 (当該箇所においては、回路の配線を禁止する。また、この部分に半田は無きこととする。)
 PROHIBITED AREA OF PATTERN WIRING AND SOLDER.
 (FOR EACH AREA THE WIRING CAN NOT BE AVAILABLE.
 AND COVERED WITH A FILM KEEP SOLDER OUT)

CONNECTOR SERIES No. : 505004-**12

SEE SHEET 1 EC NO: J2018-0107 DRWN: YAOYAGI 2017/09/26 CHKD: TAKAHASHI 2017/9/28 APPR: NUKITA 2017/09/28	GENERAL TOLERANCES (UNLESS SPECIFIED)		DIMENSION STYLE MM ONLY		SCALE 20:1	DESIGN UNITS METRIC	THIRD ANGLE PROJECTION	
	0.25 UNDER	± 0.03	DRAWN BY	DATE	TITLE			
	0.25 OVER 0.5 UNDER	± 0.05	SGOTO02	2014/03/03	0.4 BB CONN H=0.75 BATTERY REC ASSY			
	0.5 OVER 1.0 UNDER	± 0.1	CHECKED BY	DATE				
	1.0 OVER 30 UNDER	± 0.2	KTAKAHASHI	2017/9/28				
10 OVER 30 UNDER	± 0.25	APPROVED BY	DATE	DOCUMENT NO.		SHEET NO.		
30 OVER	± 0.3	NUKITA	2017/09/28	SD-505004-005		2 OF 2		
ANGULAR	± 1 °	MATERIAL NO.		SEE SHEET 1		THIS DRAWING CONTAINS INFORMATION THAT IS PROPRIETARY TO MOLEX ELECTRONIC TECHNOLOGIES, LLC AND SHOULD NOT BE USED WITHOUT WRITTEN PERMISSION		
DRAFT WHERE APPLICABLE MUST REMAIN WITHIN DIMENSIONS								

注記 NOTES

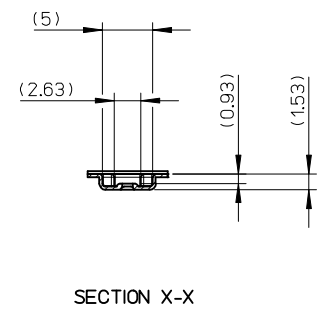
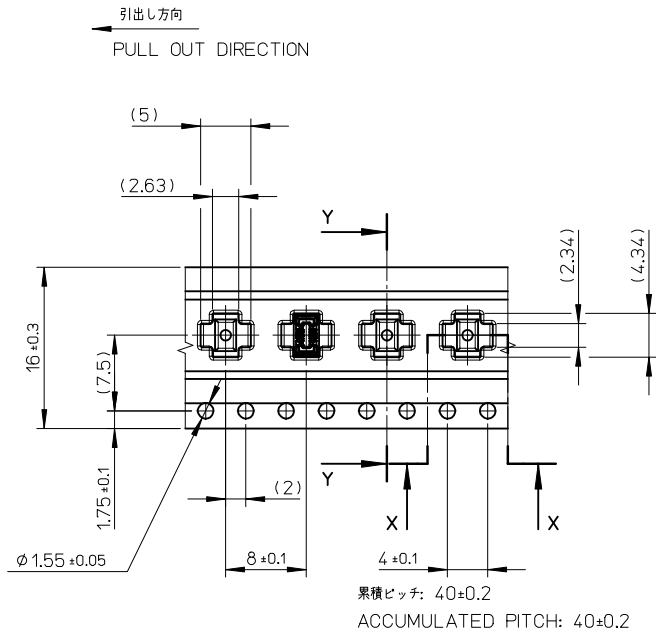
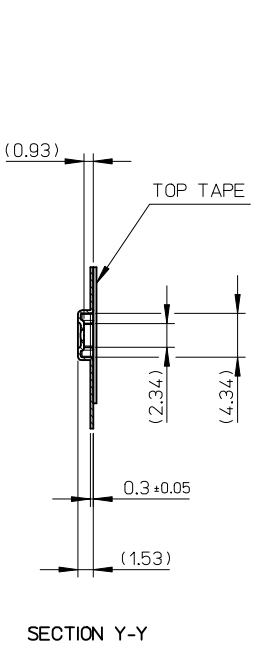
- 製品詳細寸法については製品単体図面を参照下さい。
RE DETAILED DIMENSION, SEE PRODUCT DRAWING.
- 梱包数量: 7000個/リール
NUMBER OF CONNECTORS: 7000PCS/REEL
- リードテープ長さ LEAD TAPE LENGTH



DETAIL D

- トップテープの剥離強度は、IEC60286-3に準拠する。
PEELING OFF FORCE OF THE TOP TAPE IS DEFINED BY IEC60286-3.
- 材料 MATERIAL
キャリアテープ (CARRIER TAPE) ポリスチレン (POLYSTYRENE)
トップテープ (TOP TAPE) PET, OTHER
リール (REEL) ポリスチレン (PS) <リサイクル材を含む>
POLYSTYRENE (PS) <RECYCLE MATERIAL CONTAINED>
- ELV 及び RoHS適合品
ELV AND RoHS COMPLIANT

RELEASED EC NO: J2018-0107 DRWN: YAOYAGI 2017/09/26 CHKD: TAKAHASHI 2017/9/28 APPR: NUKITA 2017/09/28	GENERAL TOLERANCES (UNLESS SPECIFIED)		DIMENSION STYLE MM ONLY		SCALE ---	DESIGN UNITS METRIC	MODEL No. 505004-**-12
	10 UNDER	± 0.2	DRAWN BY SGOT002	DATE 2014/03/12	TITLE 0.4 BB CONN H=0.75 BATTERY REC ASSY EMBSTP PKG		
	10 OVER 30 UNDER	± 0.25	CHECKED BY TAKAHASHI	DATE 2017/9/28			
	30 OVER	± 0.3	APPROVED BY NUKITA	DATE 2017/09/28			
ANGULAR	$\pm 1^\circ$	MATERIAL NO. SEE SHEET 2		DOCUMENT NO. SD-505004-006	SHEET NO. 1 OF 2		
DRAFT WHERE APPLICABLE MUST REMAIN WITHIN DIMENSIONS		THIS DRAWING CONTAINS INFORMATION THAT IS PROPRIETARY TO MOLEX INCORPORATED AND SHOULD NOT BE USED WITHOUT WRITTEN PERMISSION					



505004-0812	0	---	8
EMBOSSSED TAPE PACKAGE	量産品 MASS PRODUCTION	試作対応可 LOW VOL. TOOL	極数 CIRCUIT
オーダー番号 ORDER NO.	サンプル供給 SAMPLE PREPARATION		
MODEL No.	505004-***12		

RELEASED EC NO: J2018-0107 DRWN: YAQYAGI 2017/09/26 CHKD: TAKAHASHI 2017/9/28 APPR: NUKITA 2017/09/28 A	GENERAL TOLERANCES (UNLESS SPECIFIED)		DIMENSION STYLE	SCALE	DESIGN UNITS	TITLE 0.4 BB CONN H=0.75 BATTERY REC ASSY EMBSTP PKG molex DOCUMENT NO. SD-505004-006 SHEET NO. 2 OF 2
	10 UNDER ±0.2		MM ONLY	2:1	METRIC	
	10 OVER 30 UNDER ±0.25		DRAWN BY DATE	THIRD ANGLE PROJECTION		
	30 OVER ±0.3		SGOT002 2014/03/12			
	ANGULAR ±1°		CHECKED BY DATE			
DRAFT WHERE APPLICABLE MUST REMAIN WITHIN DIMENSIONS		KTAKAHASHI 2017/9/28				
		APPROVED BY DATE				
		NUKITA 2017/09/28				
		MATERIAL NO.				
		SIZE				
		A3				