

CRYSTAL, CRYSTAL OSCILLATOR TEST & BURN IN SOCKET SC2000 - Test socket for 7.0 x 5.0 mm

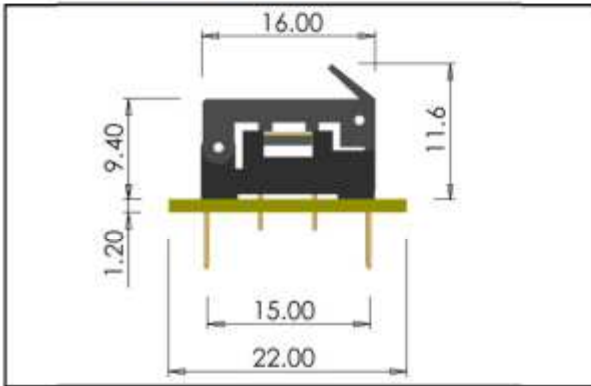
FEATURE

- 4 pad crystal and oscillator packages
- Accurate and reliable testing of frequency control devices
- Contact force ideal for avoiding measurement error
- Highest quality socket available
- Clam shell design for easy open and close
- Operation Temperature: -40 ~ +125°C

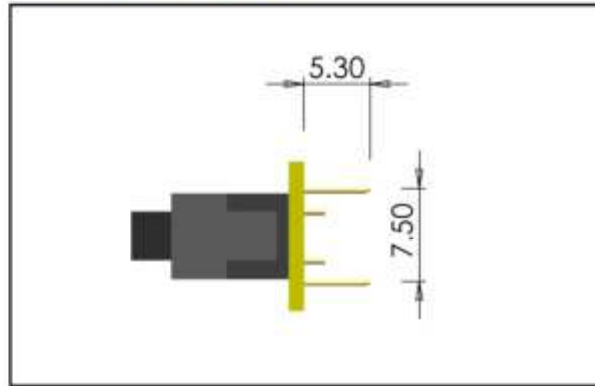
TYPICAL APPLICATION

- Design stage component engineering evaluation
- Supplier comparison tests
- Samples Test
- High temperature burn-in

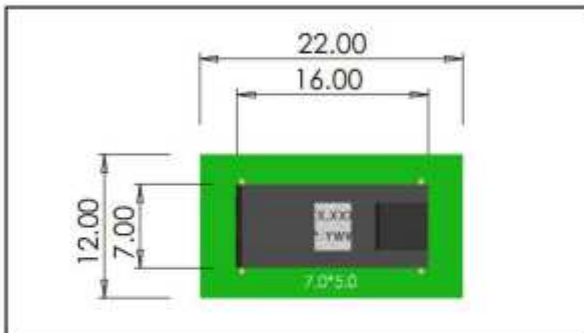
DIMENSION (mm) SIDE VIEW



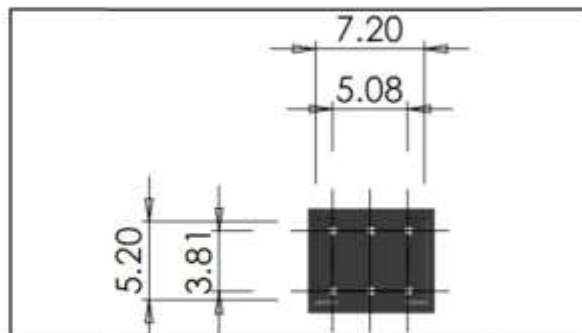
RIGHT SIDE VIEW



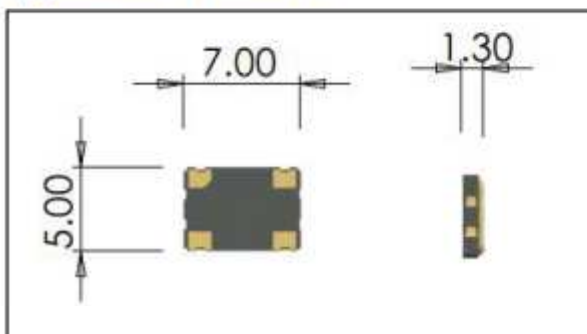
TOP VIEW



POCKET TOP VIEW



Applicable Products



Cardinal Components, Inc.

1801 Broadway St
Charlottesville, VA 22902
USA



TEL: (973)785-1333
E-MAIL: sales@cardinalxtal.com
WEB: <http://www.cardinalxtal.com>