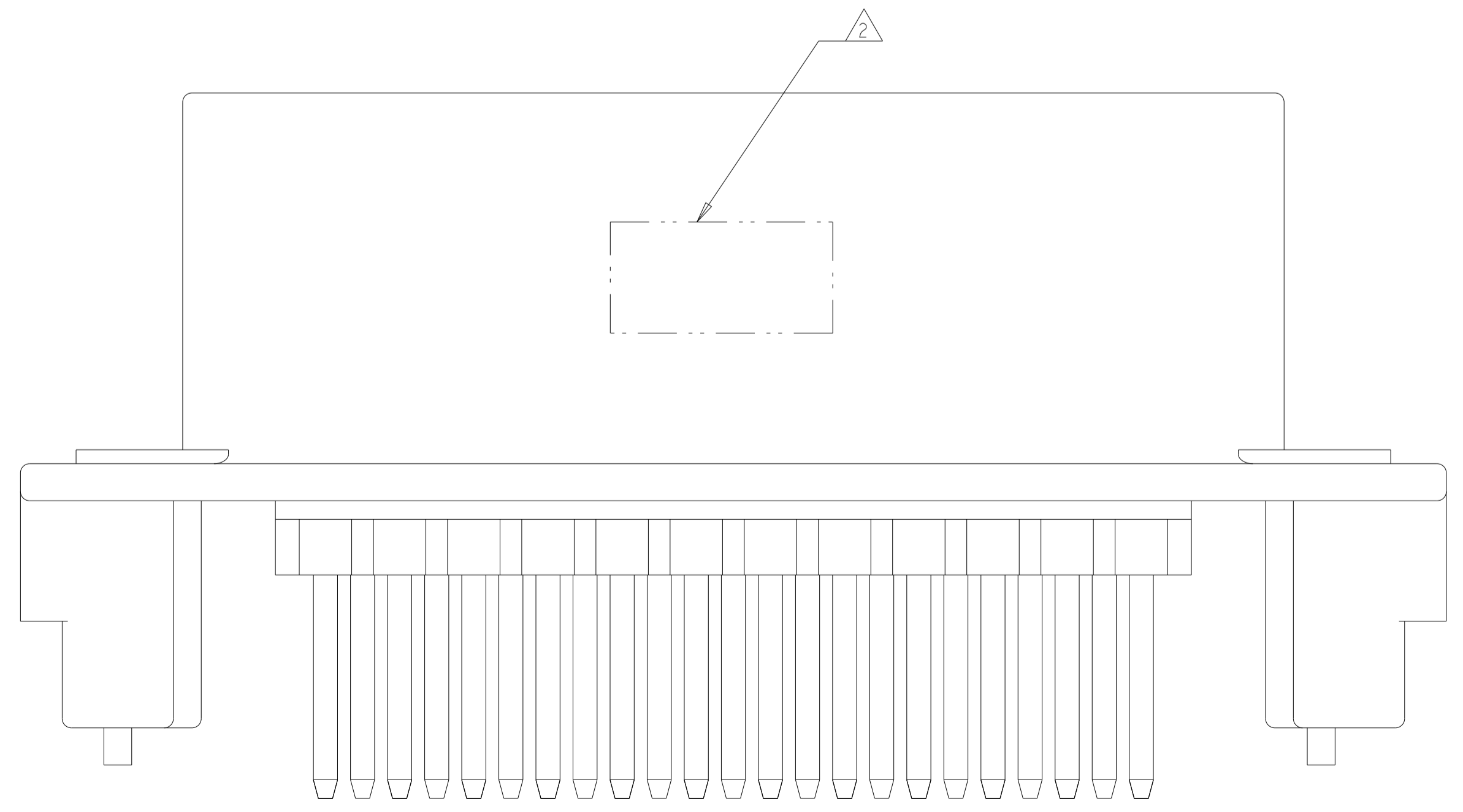
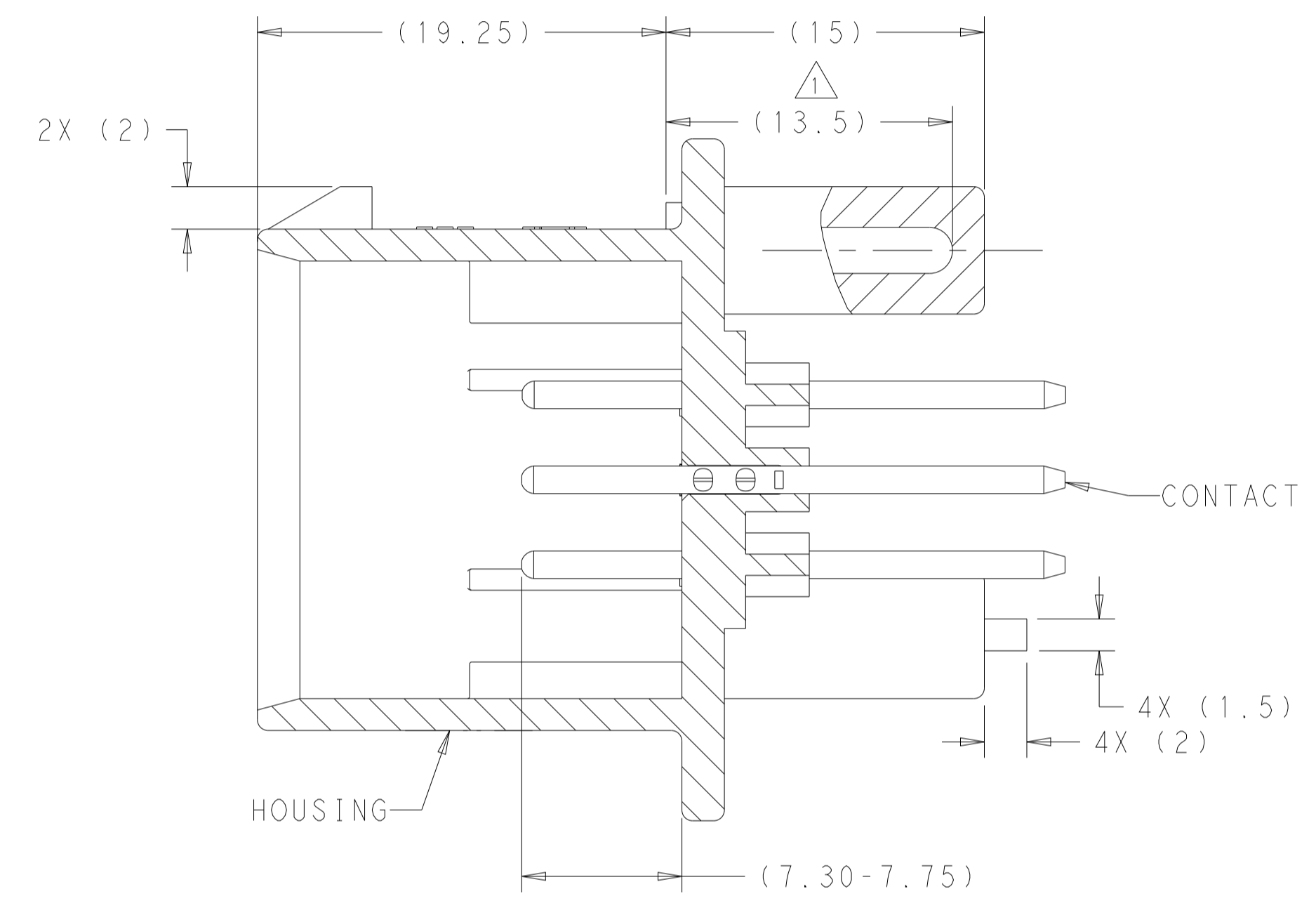
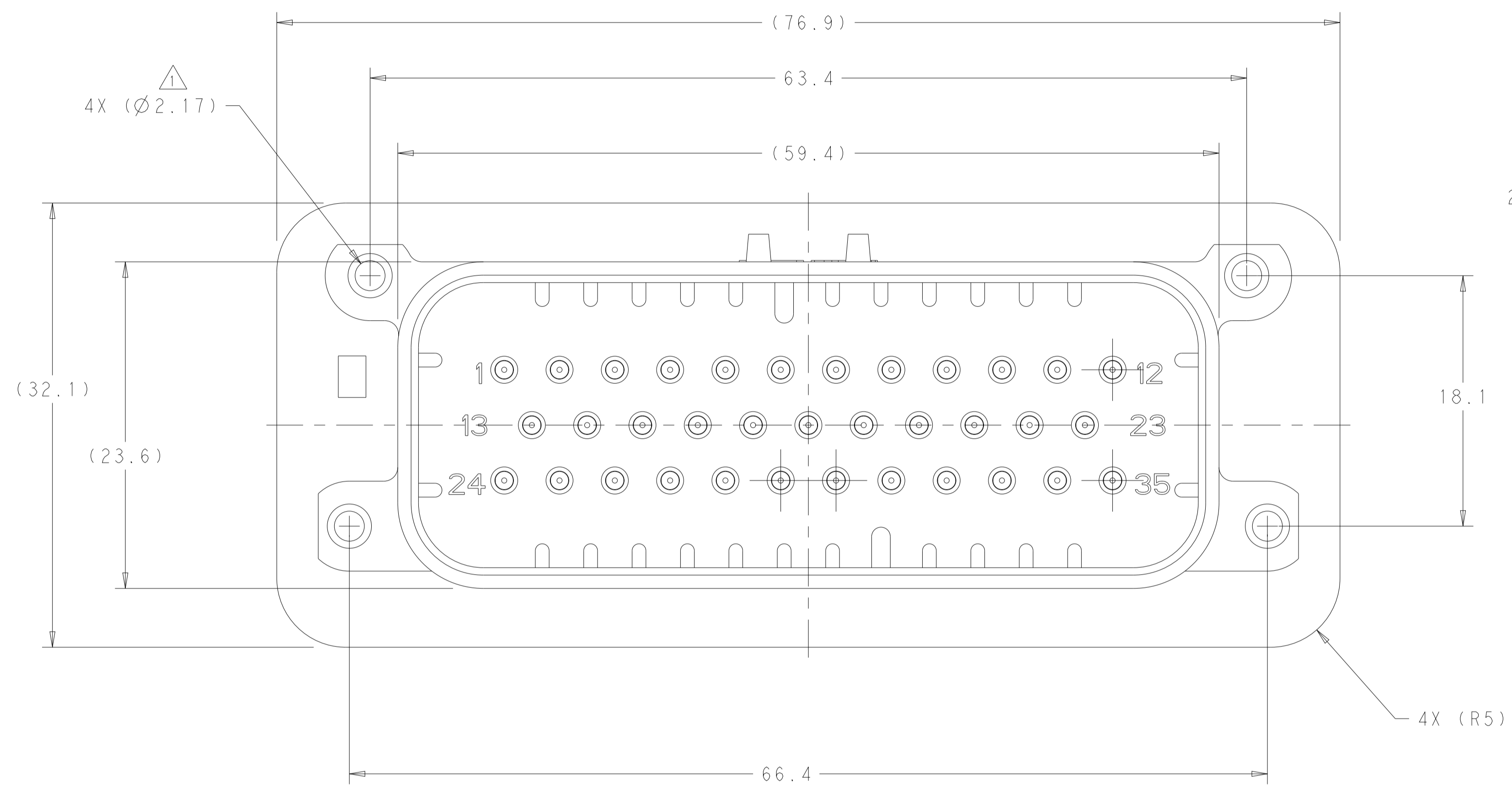


REVISIONS				
P	LTN	DESCRIPTION	DATE	APVD
A10		REVISED PER ECO-19-009419	20JUN2019	DS DS
A11		REVISED PER ECO-20-004256	25MAR2020	JM DS
A12		REVISED PER PCN E-20-016603	24NOV2020	PN DS
B		REVISED PER ECR-23-167643	10MAR2023	DK CB

- 1. SUGGESTED MOUNTING SCREW SIZE IS $\varnothing 2.50-3.00\text{mm}$ [$\varnothing 0.099 - 0.118$ INCH] SELF TAPPING THREAD FORMING SCREW, SUCH AS DELTA PT, TO BE DRIVEN AT 0.6-0.8 N-m. THE CUSTOMER SHOULD TEST THE SCREW SIZE AND TYPE IN ORDER TO VERIFY THEIR SELECTION FOR THEIR APPLICATION.
- 2. DATE CODE IN THIS LOCATION USING 5 DIGIT CODE. FIRST 2 DIGITS = YEAR, SECOND 2 DIGITS = WEEK, LAST DIGIT = DAY.
- 3. MATERIALS: HEADER HOUSING - GLASS FILLED PBT, PINS - TIN OR GOLD PLATED BRASS.
- 4. HOUSING COLORS ARE MECHANICALLY KEYED TO MATE ONLY WITH IDENTICALLY COLORED PLUG ASSEMBLIES.
- 5. HEADER MATES TO PLUG ASSEMBLY 776164 WHICH USES REELED TERMINAL 770520 OR LOOSE PIECE TERMINAL 770854.



776230-1 & 1-776230-1 SHOWN

ORANGE	GOLD	1-776230-6
BLUE	GOLD	1-776230-5
GRAY	GOLD	1-776230-4
NATURAL	GOLD	1-776230-2
BLACK	GOLD	1-776230-1
BLUE	TIN	776230-5
GRAY	TIN	776230-4
NATURAL	TIN	776230-2
BLACK	TIN	776230-1
HEADER COLOR	PLATING	PART NUMBER

THIS DRAWING IS A CONTROLLED DOCUMENT. DIMENSIONING AND TOLERANCING PER ASME Y14.5M-2009.

OWN: D. STRAUSSER 04FEB2010
 CHK: D. STRAUSSER 22MAR2010
 APVD: D. STRAUSSER 27APR2010

NAME: HEATER ASSEMBLY, 35 POSITION, VERTICAL, AMPSEAL

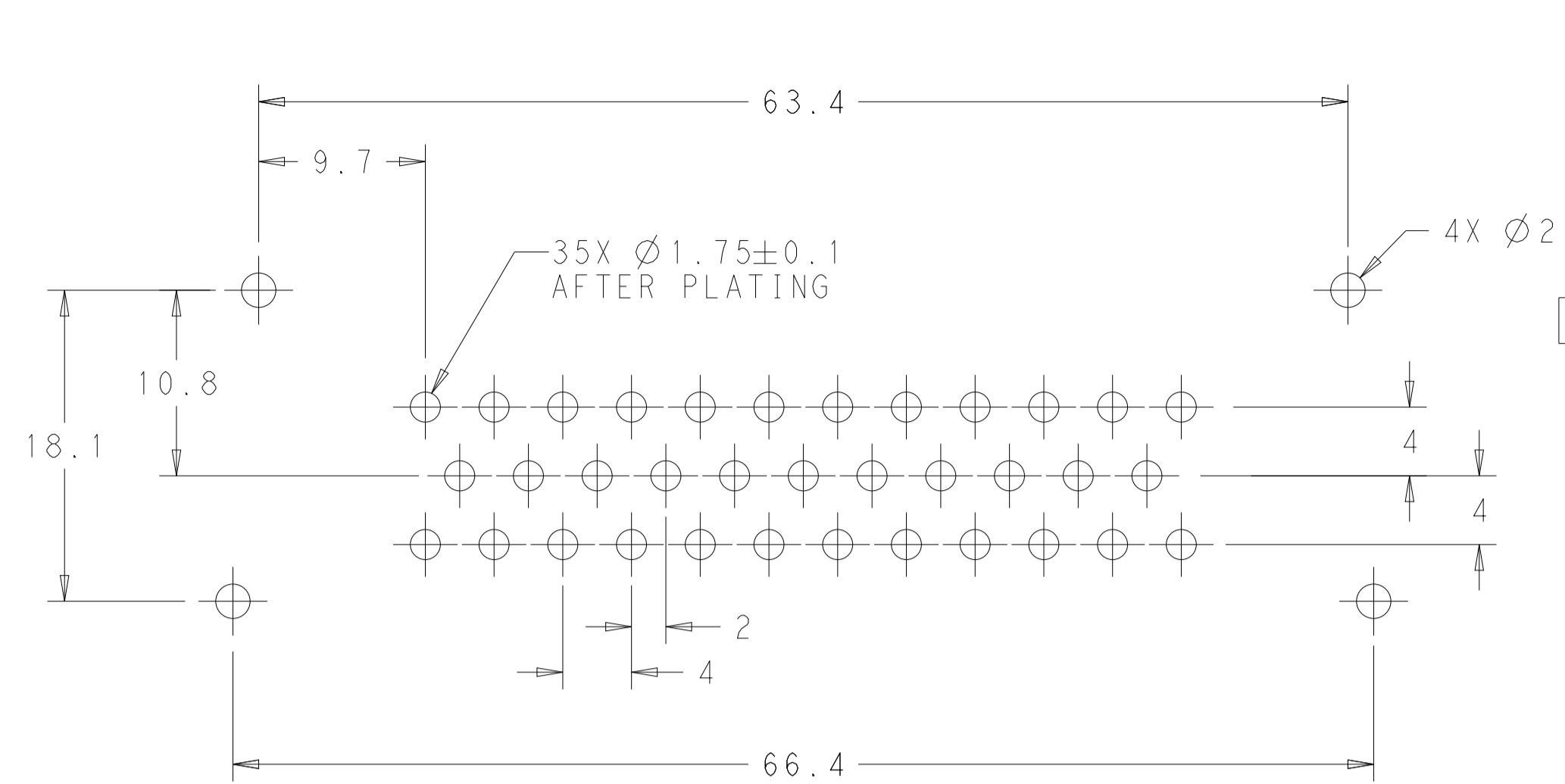
PRODUCT SPEC: 108-1329
 APPLICATION SPEC: 114-16016

SIZE: A1 CAGE CODE: 00779 DRAWING NO: 776230
 WEIGHT: 39.99g

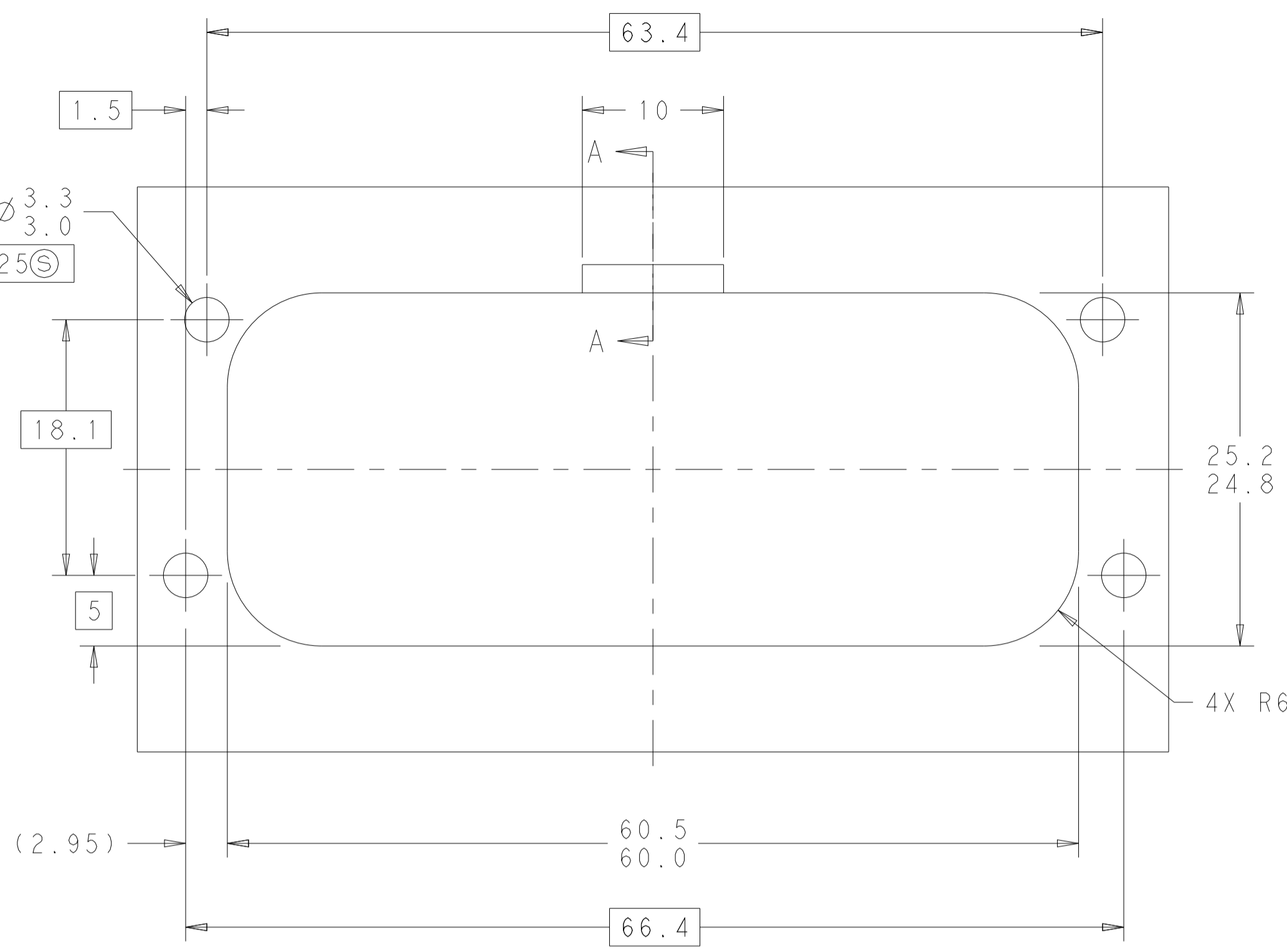
MATERIAL: 3 FINISH: 4

CUSTOMER DRAWING SCALE: 4:1 SHEET 1 OF 2 REV B

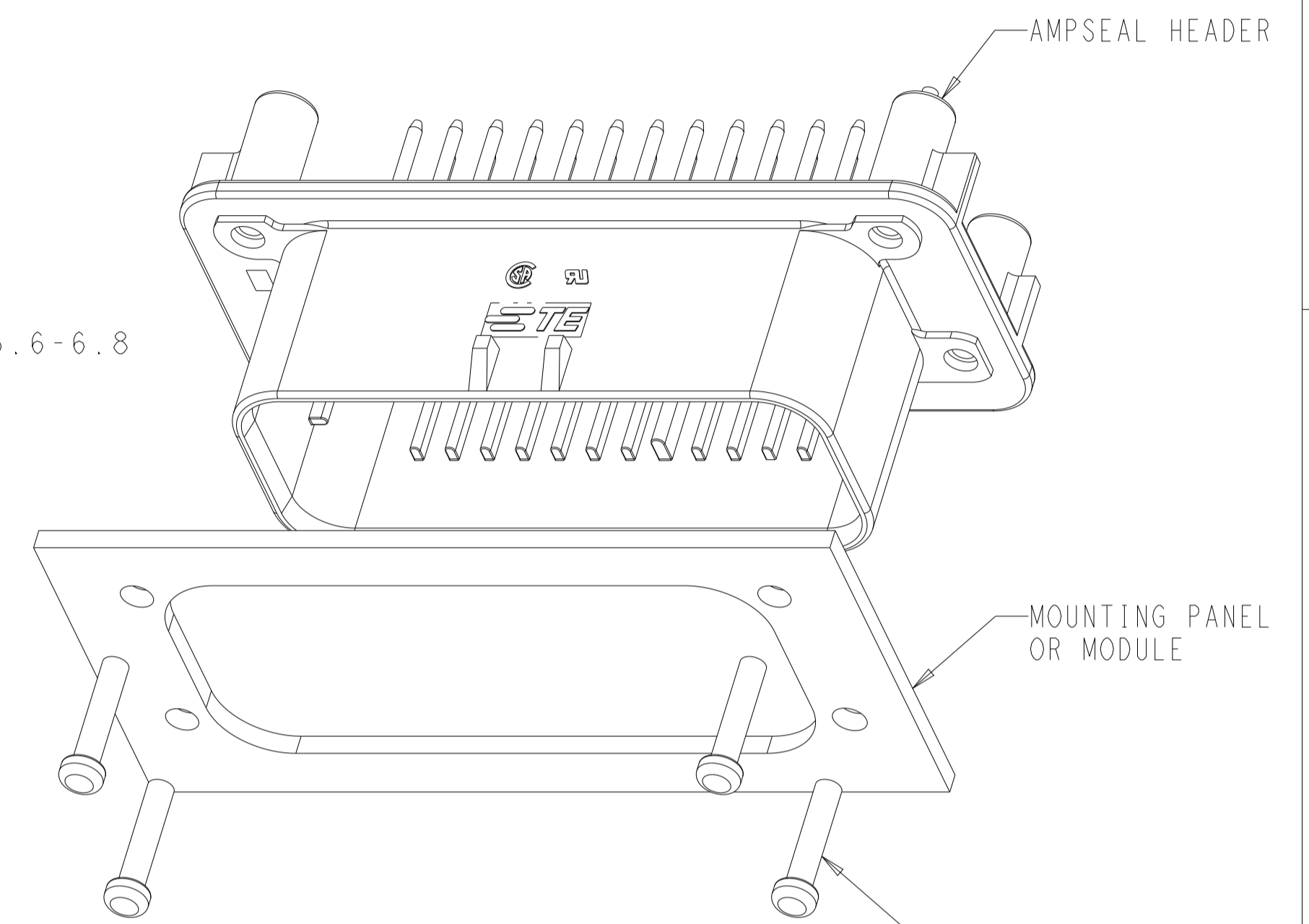
REVISIONS				
P	LTH	DESCRIPTION	DATE	APVD
-	-	SEE SHEET 1	-	-



RECOMMENDED P.C. BOARD LAYOUT FOR 1.57 THICK P.C. BOARD

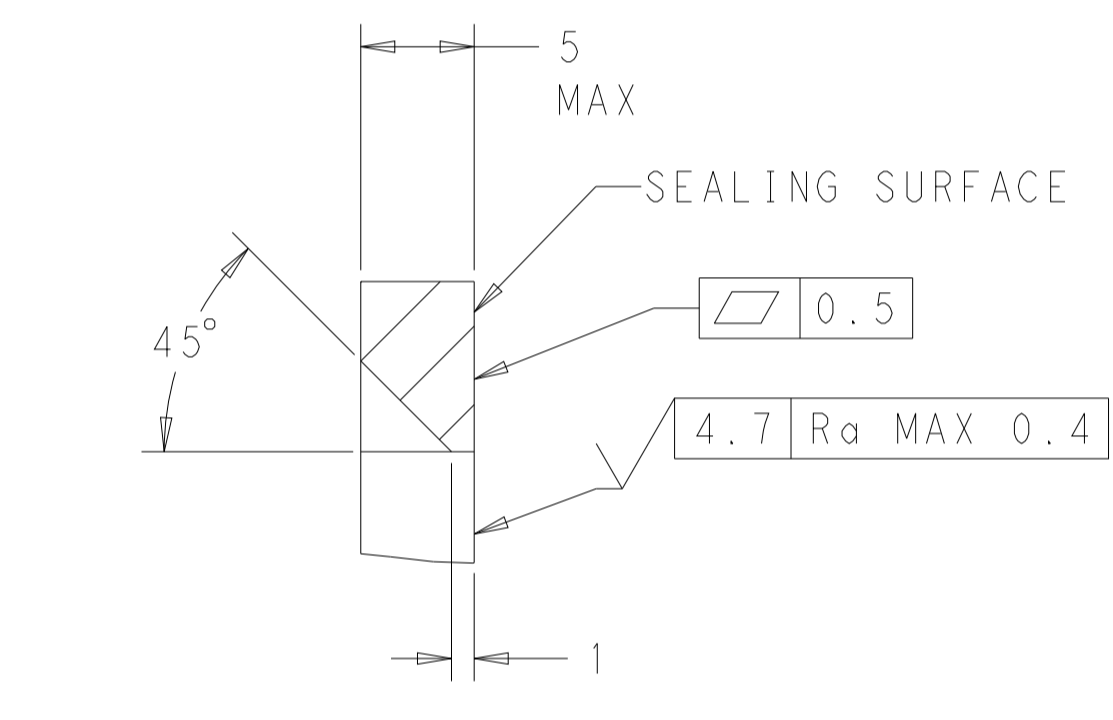
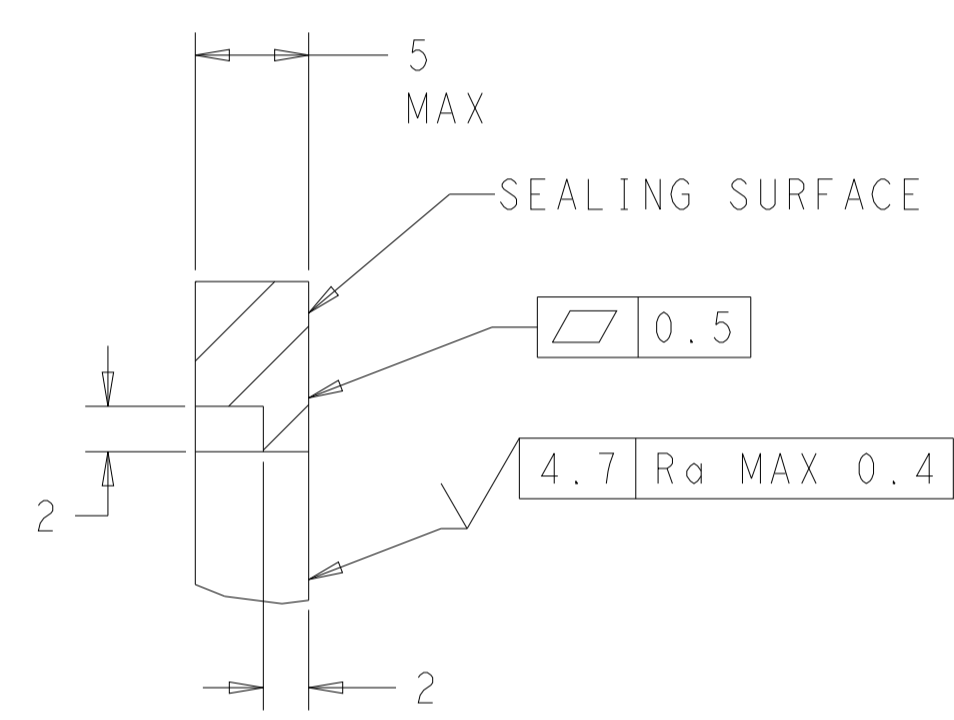


RECOMMENDED MOUNTING HOLE LAYOUT FOR 5.0 MAX THICK PANEL



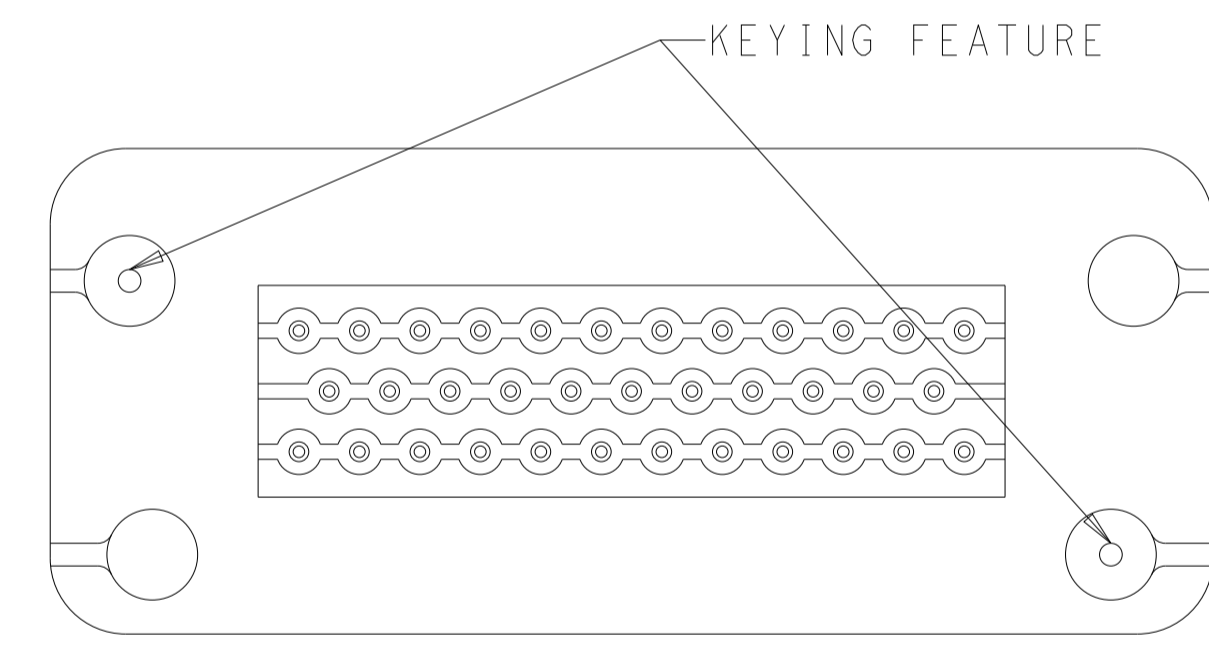
SCALE 2:1

MOUNTING SCREW (4)
TORQUE TO 0.6N-m TO 0.8N-m

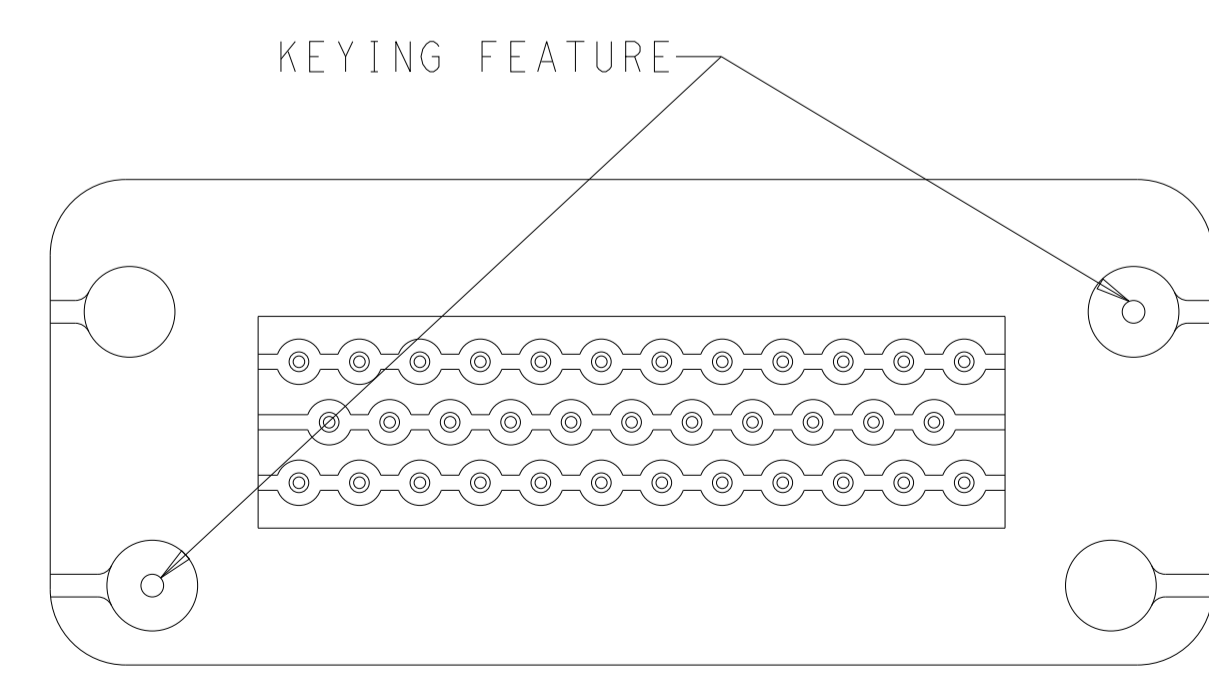


SECTION A-A
OPTIONAL CONSTRUCTION IF PANEL THICKNESS IS GREATER THAN 2.0

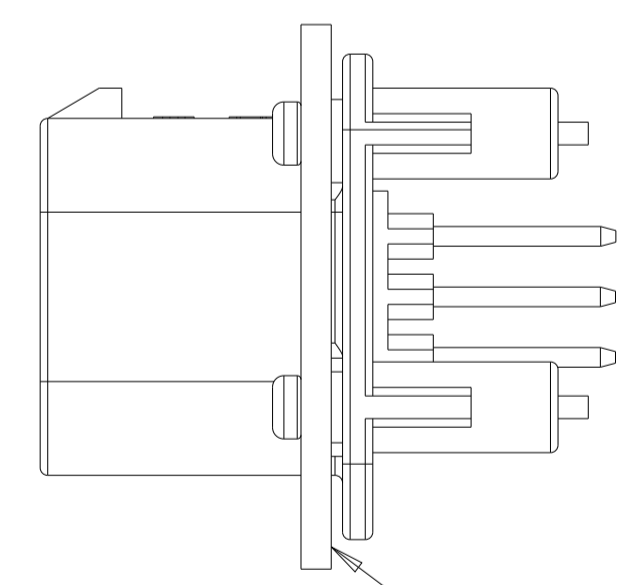
SECTION A-A
OPTIONAL CONSTRUCTION IF PANEL THICKNESS IS GREATER THAN 2.0



KEYING FOR 776230-1, 1-776230-1, 776230-4, 1-776230-4 AND 1-776230-6
SCALE 2:1

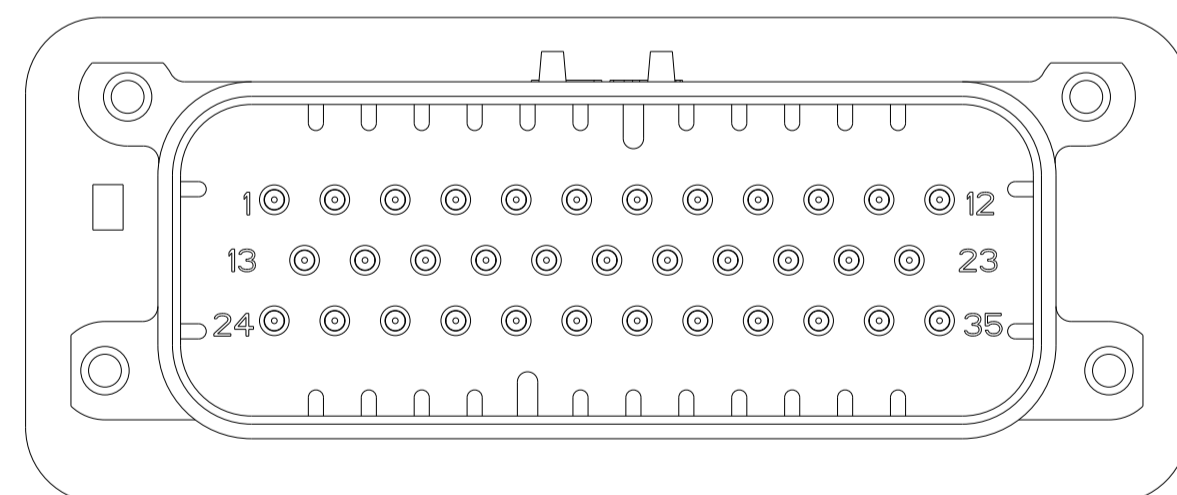


KEYING FOR 776230-2, 1-776230-2, 776230-5 AND 1-776230-5
SCALE 2:1

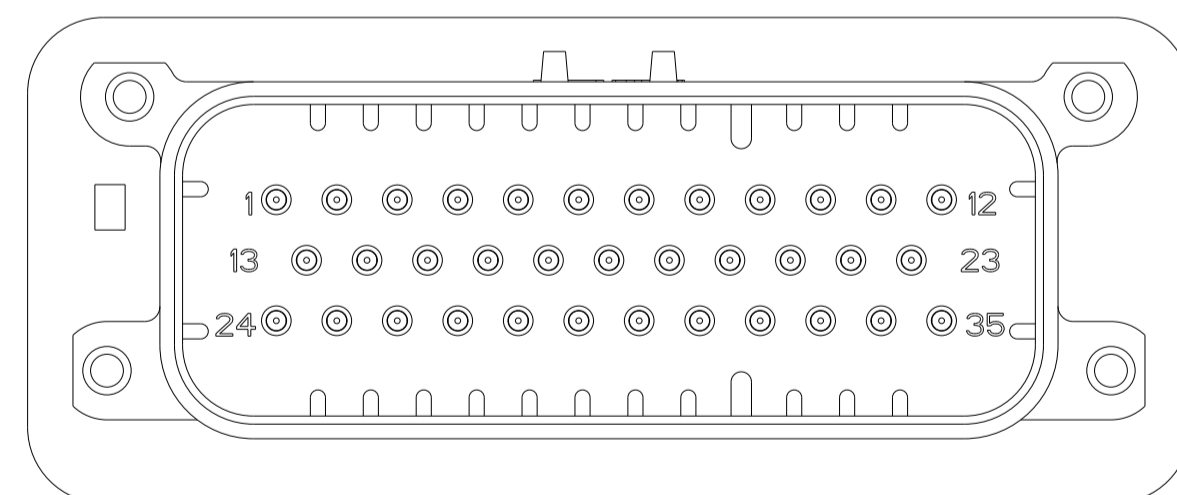


SCALE 2:1

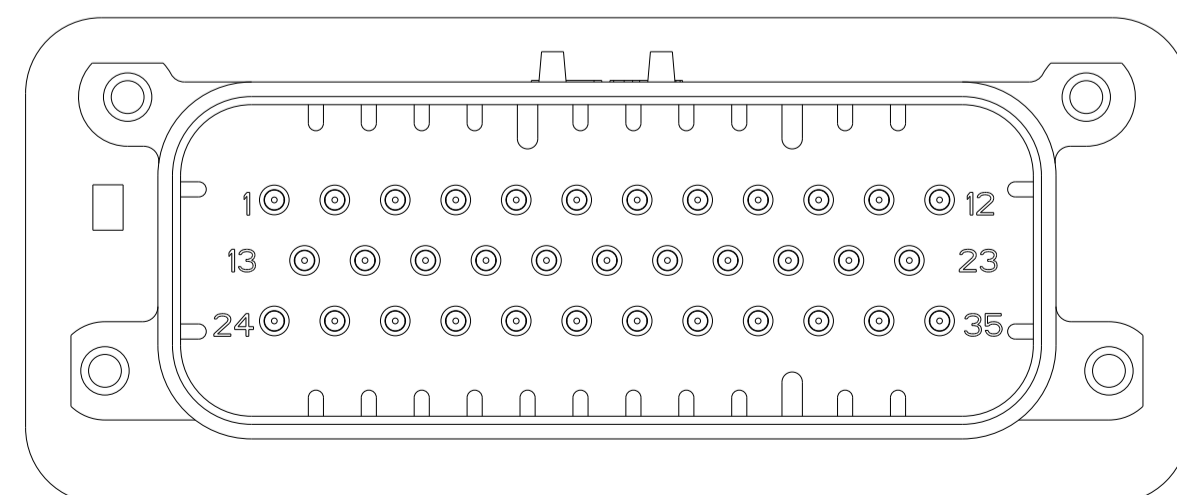
ENSURE THE HEADER IS FLUSH TO THE PANEL FACE ALL AROUND BEFORE TIGHTENING TO FINAL TORQUE



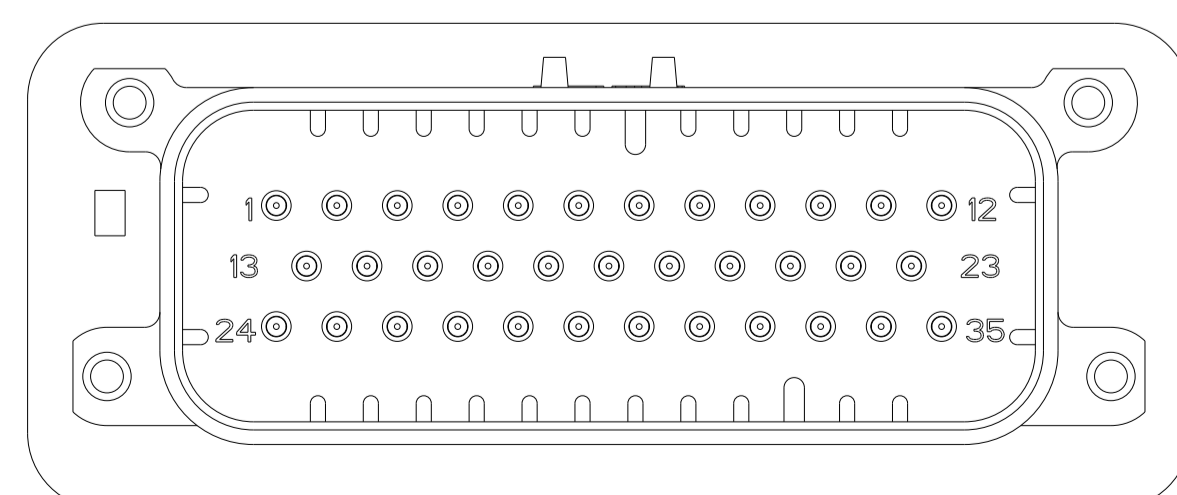
776230-2 & 1-776230-2
KEY LOCATION
SCALE 2:1



776230-4 & 1-776230-4
KEY LOCATION
SCALE 2:1



776230-5 & 1-776230-5
KEY LOCATION
SCALE 2:1



1-776230-6
KEY LOCATION
SCALE 2:1

THIS DRAWING IS A CONTROLLED DOCUMENT.		OWN: D. STRAUSSER 04FEB2010	TE Connectivity	
DIMENSIONS:		CHK: D. STRAUSSER 22MAR2010	NAME: HEADER ASSEMBLY, 35 POSITION, VERTICAL, AMPSEAL	
mm	TOLERANCES UNLESS OTHERWISE SPECIFIED:	APVD: D. STRAUSSER 27APR2010	SIZE: 108-1329	RESTRICTED TO:
0 PLC	±	PRODUCT SPEC	APPLICATION SPEC	
1 PLC	±0.2	114-16016	114-16016	
2 PLC	±	WEIGHT	39.99g	
3 PLC	±	CUSTOMER DRAWING		
4 PLC	±			
ANGLES	±			
FINISH	±			