



# Product Change Notification

<b>Date Issued :</b>	March 23, 2023	<b>PCN Number :</b>	513474
<b>Reason for Change :</b>	Capacity change or tool replacement		
<b>Description of Change :</b>	Due to OEM increase in product, we are experiencing extremely high demand beyond our capacity to respond within lead time. so this letter is to inform the additional component tooling to increase output.		
<b>Reason for Short Notice :</b>	Capacity Increase		
<b>Assessment of Change :</b>	First Article Inspection		
<b>Planned Implementation Date :</b>	July 14, 2023		
<b>Sample Availability Date:</b>	May 31, 2023		
<b>Internal Molex Qualification Date :</b>	July 01, 2023		
<b>Last date to request Samples by Customer :</b>	June 23, 2023		
<b>Traceability Code Markings / Date :</b>	Product made after planned implementation date can contain the change		

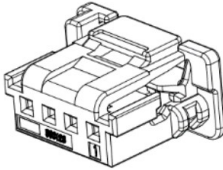
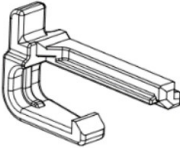
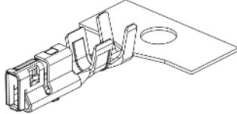
Before Picture

## Overview

- Due to OEM increase in product, we are experiencing extremely high demand beyond our capacity to respond within lead time. so this letter is to inform the additional component tooling to increase output.
- Product Impact
  - “no impact to fit, form or function”
- Part Number Impact
  - Please refer attached impacted part list.
- Qualification Reports and samples available from 1st of July.
- PPAP will be available on 14/07/2023.
  - If PPAP requested, disposition response required within 5 days of submit date or it will be considered approved.
  - If no PPAP requested by 16/07/2023, the PPAP will be considered approved.

After Picture

- Affected products as shown below,

<b>Receptacle</b> <b>560123</b> <b>560235</b>	<b>ISL</b> <b>560125</b> <b>560237</b>	<b>Terminal</b> <b>560124</b> <b>560236</b>
		

# RELEASED

You may address inquires regarding this PCN by clicking on the below link  
[mailto:pcn\\_coordinator@molex.com?subject=PCN\\_Notification:513474](mailto:pcn_coordinator@molex.com?subject=PCN_Notification:513474)  
 or contact your Local Sales Engineer.

Note: While responding, please retain " PCN Notification : **PCN Notification: 513474** " in the e-mail Subject line for faster response.

[Molex, LLC](#)  
 2222 Wellington Court  
 Lisle, IL 60532  
 TEL (800) 786-6539  
[www.molex.com](http://www.molex.com)

**PCN No Part List**

513474 [0367690210](#)  
513474 [0367690211](#)  
513474 [0367690212](#)  
513474 [0367690213](#)  
513474 [0367690214](#)  
513474 [0367690215](#)  
513474 [0367690216](#)  
513474 [0367690217](#)  
513474 [0367690246](#)  
513474 [0367690247](#)  
513474 [0367690464](#)  
513474 [0367690465](#)  
513474 [0367690475](#)  
513474 [0367692101](#)  
513474 [0367692225](#)  
513474 [0367692237](#)  
513474 [0367692265](#)  
513474 [0369090036](#)  
513474 [0369090135](#)  
513474 [0686030460](#)  
513474 [0688001658](#)  
513474 [0688001659](#)  
513474 [0688001708](#)  
513474 [0796400268](#)  
513474 [0796400269](#)  
513474 [0796400271](#)  
513474 [0796400272](#)  
513474 [0920011878](#)  
513474 [2166030039](#)  
513474 [2166030049](#)  
513474 [2183221021](#)  
513474 [2183221022](#)  
513474 [2183221023](#)  
513474 [2183221031](#)  
513474 [2183221032](#)  
513474 [2183221033](#)  
513474 [2183221041](#)  
513474 [2183221042](#)  
513474 [2183221043](#)  
513474 [2183221051](#)  
513474 [2183221052](#)  
513474 [2183221053](#)  
513474 [2183221061](#)  
513474 [2183221062](#)  
513474 [2183221063](#)

513474 [2183221081](#)  
513474 [2183221082](#)  
513474 [2183221083](#)  
513474 [2183221101](#)  
513474 [2183221102](#)  
513474 [2183221103](#)  
513474 [2183231021](#)  
513474 [2183231022](#)  
513474 [2183231023](#)  
513474 [2183231031](#)  
513474 [2183231032](#)  
513474 [2183231033](#)  
513474 [2183231041](#)  
513474 [2183231042](#)  
513474 [2183231043](#)  
513474 [2183231051](#)  
513474 [2183231052](#)  
513474 [2183231053](#)  
513474 [2183231061](#)  
513474 [2183231062](#)  
513474 [2183231063](#)  
513474 [2183231081](#)  
513474 [2183231082](#)  
513474 [2183231083](#)  
513474 [2183231101](#)  
513474 [2183231102](#)  
513474 [2183231103](#)  
513474 [5601230201](#)  
513474 [5601230400](#)  
513474 [5601230401](#)  
513474 [5601230402](#)  
513474 [5601230404](#)  
513474 [5601230600](#)  
513474 [5601230601](#)  
513474 [5601230602](#)  
513474 [5601230604](#)  
513474 [5601231000](#)  
513474 [5601231200](#)  
513474 [5601240101](#)  
513474 [5601250400](#)  
513474 [5601250600](#)  
513474 [5601250601](#)  
513474 [5602350201](#)  
513474 [5602350400](#)  
513474 [5602350401](#)  
513474 [5602350600](#)

513474 [5602350601](#)

513474 [5602351000](#)

513474 [5602351200](#)

513474 [5602360101](#)

513474 [5602370400](#)

513474 [5602370600](#)

513474 [5602370601](#)