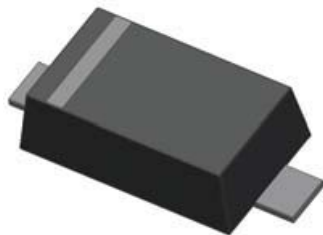
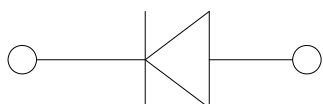


Small Signal Schottky Diode



Features

- V_R 30V
- I_{FM} 30mA



Mechanical Data

- **Package:** SOD523
- **Terminals:** Tin plated leads, solderable per J-STD-002 and JESD22-B102
- **Polarity:** Cathode line denotes the cathode end
- **Marking:** 4B

■ Maximum Ratings (Ta=25°C Unless otherwise specified)

PARAMETER	SYMBOL	UNIT	Conditions	VALUE
Peak reverse voltage	V_{RM}	V		40
Reverse voltage	V_R	V		30
Forward continuous current	I_{FM}	mA	$T_a=25^\circ\text{C}$	30
Non-repetitive Peak Forward Surge Current@t=8.3ms	I_{FSM}	A		0.2
Power dissipation	P_D	mW		150
Maximum junction temperature	T_j	°C		125
Storage temperature range	T_{stg}	°C		-55 to +150
Thermal Resistance Junction to Ambient Air	$R_{\theta JA}$	°C/W		667

■ Electrical Characteristics (Ta=25°C Unless otherwise specified)

PARAMETER	SYMBOL	UNIT	Conditions	Min	Max
Reverse Breakdown Voltage	V_R	V	$I_R=10\mu\text{A}$	30	
Maximum Forward voltage	V_F	V	$I_F=1\text{mA}$		0.37
Maximum Reverse current	I_R	μA	$V_R=30\text{V}$		0.5
Maximum Junction capacitance	C_J	pF	$V_R=0\text{V}, f=1\text{MHz}$		5

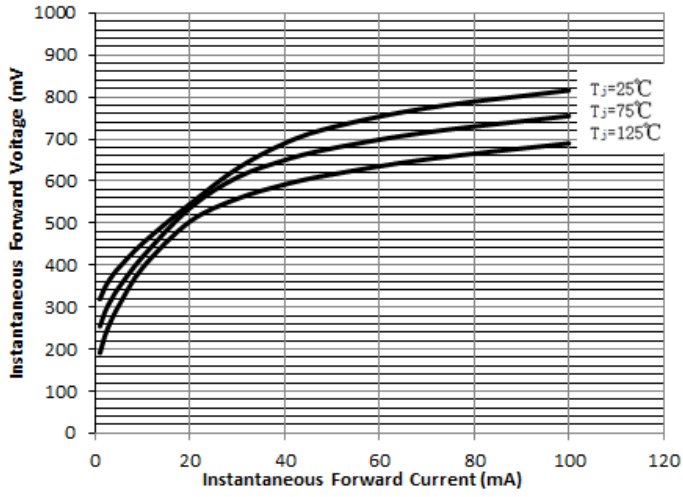
■ Ordering Information (Example)

PREFERRED P/N	PACKING CODE	UNIT WEIGHT(g)	MINIMUM PACKAGE(pcs)	INNER BOX QUANTITY(pcs)	OUTER CARTON QUANTITY(pcs)	DELIVERY MODE
RB751S-40	F2	Approximate 0.002	8000	80000	320000	7" reel

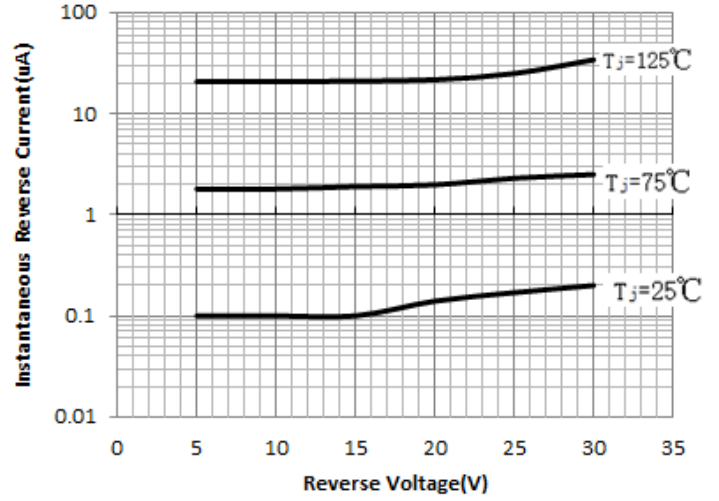


■ Characteristics (Typical)

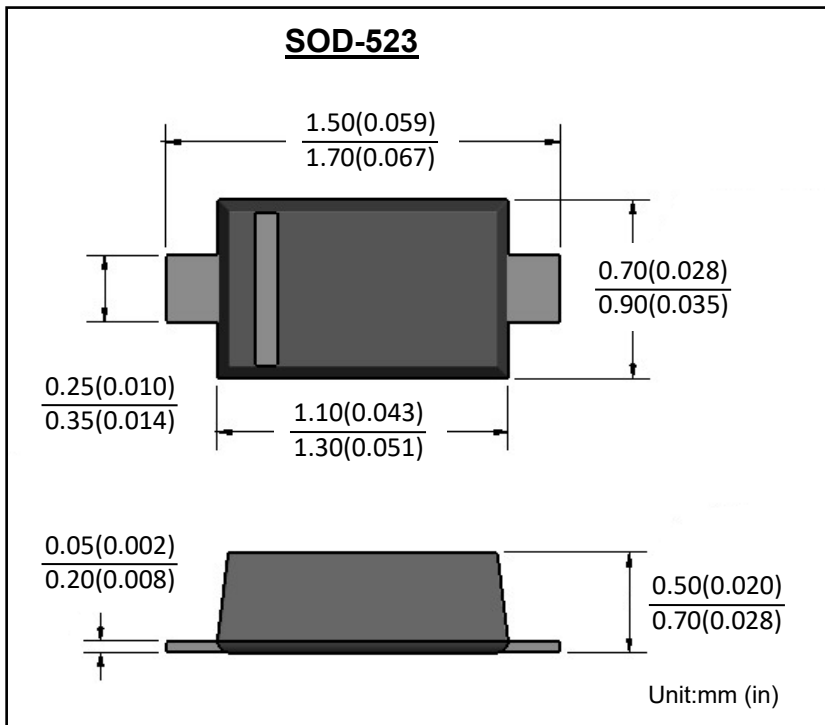
Typical Instantaneous Forward Characteristics



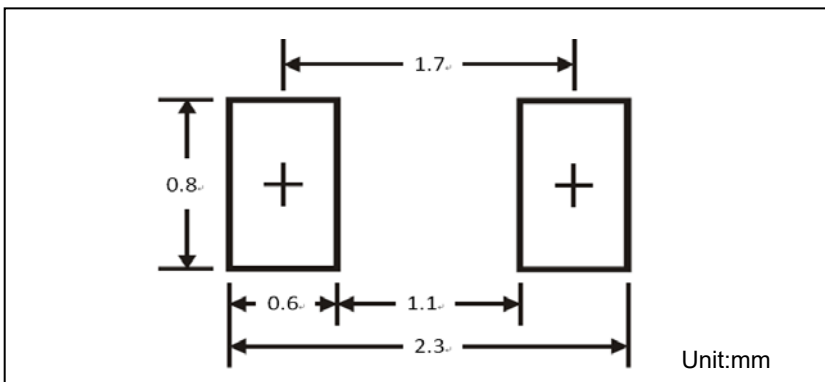
Typical Reverse Characteristics



■ Outline Dimensions



■ Soldering Footprint





Disclaimer

The information presented in this document is for reference only. Yangzhou Yangjie Electronic Technology Co., Ltd. reserves the right to make changes without notice for the specification of the products displayed herein to improve reliability, function or design or otherwise.

The product listed herein is designed to be used with ordinary electronic equipment or devices, and not designed to be used with equipment or devices which require high level of reliability and the malfunction of which would directly endanger human life (such as medical instruments, transportation equipment, aerospace machinery, nuclear-reactor controllers, fuel controllers and other safety devices), Yangjie or anyone on its behalf, assumes no responsibility or liability for any damages resulting from such improper use of sale.

This publication supersedes & replaces all information previously supplied. For additional information, please visit our website [http:// www.21yangjie.com](http://www.21yangjie.com) , or consult your nearest Yangjie's sales office for further assistance.