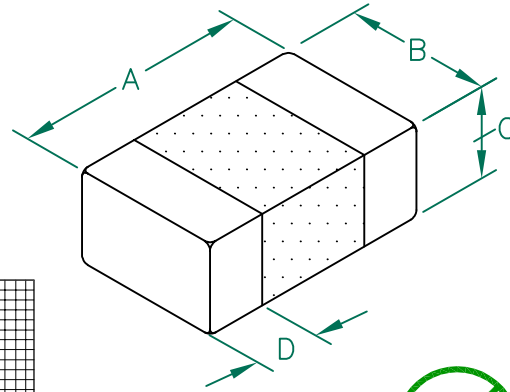


# MI0805K601R-10

**UNCONTROLLED DOCUMENT**

PHYSICAL DIMENSIONS:

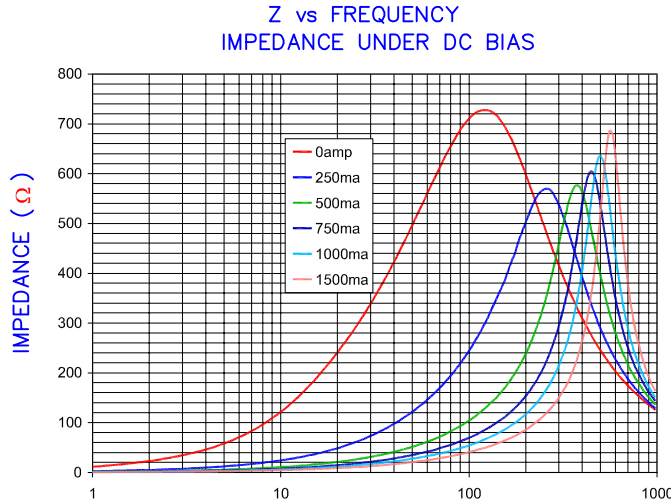
A	2.00 [.079]	+ 0.20 [.008]
B	1.25 [.049]	+ 0.20 [.008]
C	0.90 [.035]	+ 0.20 [.008]
D	0.51 [.020]	+ 0.25 [.010]



ELECTRICAL CHARACTERISTICS:

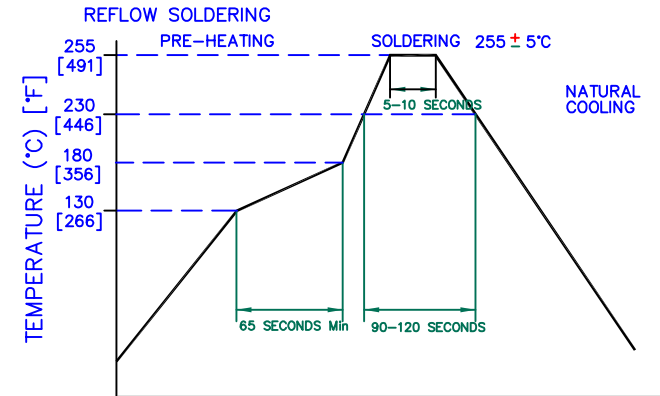
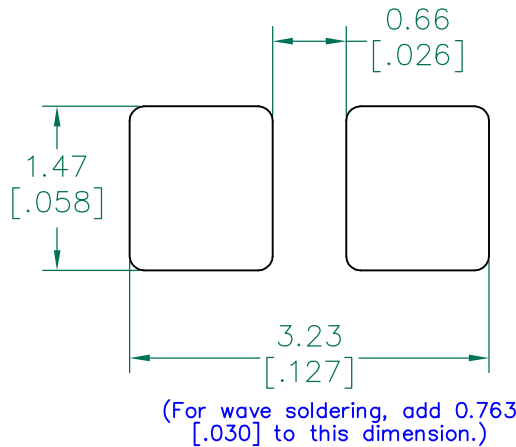
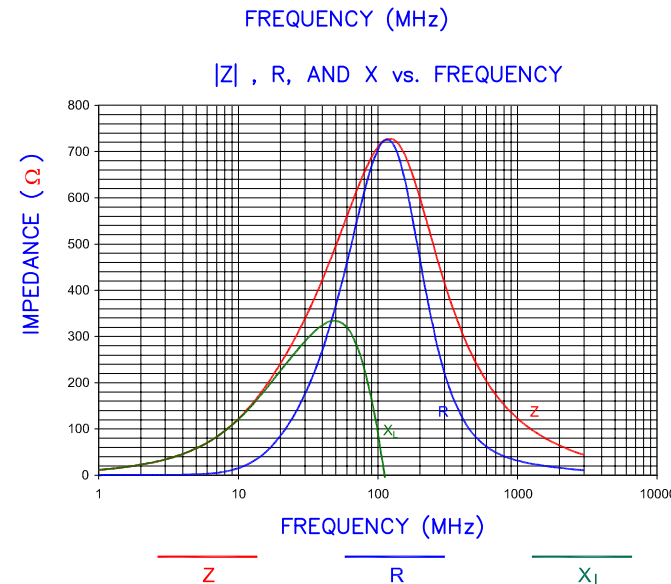
Z @ 100MHz (Ω)	DCR (Ω)	Rated Current
Nominal	600	
Minimum	450	
Maximum	750	1500 mA

- NOTES: UNLESS OTHERWISE SPECIFIED
1. TAPED AND REELED per CURRENT EIA SPECIFICATIONS 7" REELS, 4000 PCS/REEL, PAPER TAPE.
  2. COMPONENTS SHOULD BE ADEQUATELY PREHEATED BEFORE SOLDERING.
  3. TERMINATION FINISH IS 100% TIN.
  4. OPERATING TEMP. RANGE: -40°C~+125°C. (INCLUDING SELF-HEATING)



LAND PATTERNS FOR REFLOW SOLDERING

RECOMMENDED SOLDERING CONDITIONS



DIMENSIONS ARE IN mm [INCHES].				This print is the property of Laird Tech. and is loaned in confidence subject to return upon request and with the understanding that no copies shall be made without the written consent of Laird Tech. All rights to design or invention are reserved.			<b>Laird</b>	
D	ADD OPERATING TEMPERATURE UPDATE LAIRD LOGO AND REFLOW CURVE	08/05/13	QU	PROJECT/PART NUMBER:	REV	PART TYPE:	DRAWN BY:	
C	CHANGE TO PAPER TAPE	03/04/10	JUN	MI0805K601R-10	D	CO-FIRE	JRK	
B	UPDATE COMPANY LOGO ADD ROHS SYMBOL	08/18/08	JRK	DATE:	SCALE:	NTS	SHEET:	
A	ORIGINAL DRAFT	01/13/04	JRK	01/13/04				
REV	DESCRIPTION	DATE	INT	GAD #	TOOL #		2 of 2	
				MI0805K601R-10-D				