

Würth Elektronik eiSos GmbH & Co. KG

EMC & Inductive Solutions

Max-Eyth-Straße 1 · 74638 Waldenburg · Germany

Tel. +49 (0) 79 42 945-0 · Fax +49 (0) 79 42 945-400

eiSos@we-online.de · www.we-online.de



Product / Process Change Notification (PCN)

- Major change
 Minor change

PCN #: PCN_IndHCF_20181115 Affected Series: WE-IndHCF-2818 & 2815: 744364xxxx & 7443641xxxx PCN Date: August 15, 2018 Effective Date: November 15, 2018	Change Category: <input type="checkbox"/> Equipment / Location <input type="checkbox"/> General Data <input type="checkbox"/> Material <input type="checkbox"/> Process <input type="checkbox"/> Product Design <input checked="" type="checkbox"/> Shipping / Packaging <input type="checkbox"/> Supplier
Contact: Product Management Phone: +49 (0) 7942 - 945 5001 Fax: +49 (0) 7942 - 945 5179 E-Mail: pcn.eisos@we-online.com	Data Sheet Change: <input checked="" type="checkbox"/> Yes <input type="checkbox"/> No Attachment: <input type="checkbox"/> Yes <input checked="" type="checkbox"/> No

DESCRIPTION AND PURPOSE OF CHANGE:

To improve the processability, Würth Elektronik will change the packaging method of HCF 2818 and HCF 2815 standard series.

All products with date code 2018-11-15 or later, will be affected by this change.

There will be no change in form, fit, function or quality of the product.

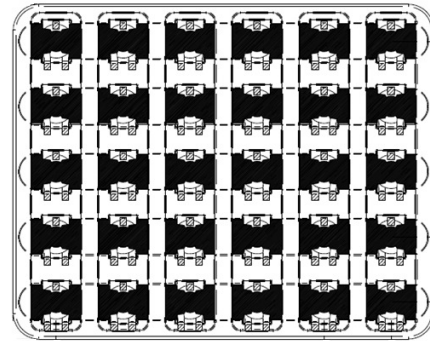
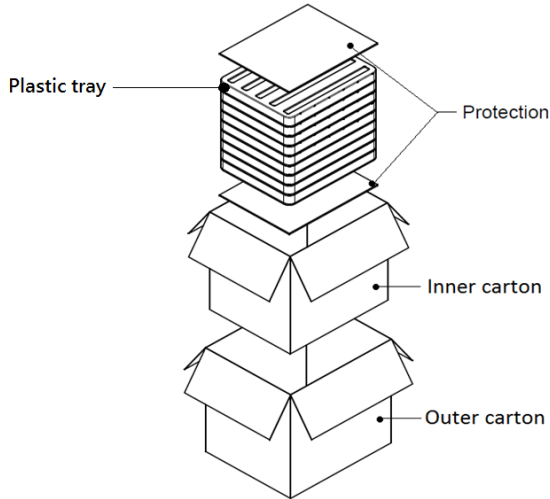
DETAIL OF CHANGE:

	Unit	New Packaging	Old Packaging
Carton Packaging Quantity (CPQ)	pcs	160	270
Standard Packaging Quantity (SPQ)	pcs	20	30
Number of plastic trays	pcs	8	9
Number of inner carton boxes	pcs	8	1
Plastic tray dimensions	mm	246 x 195 x 24	246 x 195 x 24
Inner carton dimensions	mm	265 x 205 x 30	260 * 210 * 235
Outer carton box dimensions	mm	275 x 232 x 255	253 x 200 x 30
Foam protection		No	Yes

Würth Elektronik eiSos GmbH & Co. KG
 EMC & Inductive Solutions
 Max-Eyth-Straße 1 · 74638 Waldenburg · Germany
 Tel. +49 (0) 79 42 945-0 · Fax +49 (0) 79 42 945-400
 eiSos@we-online.de · www.we-online.de

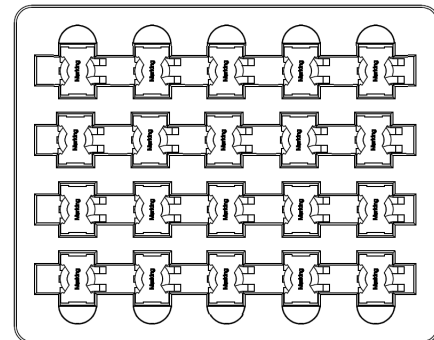
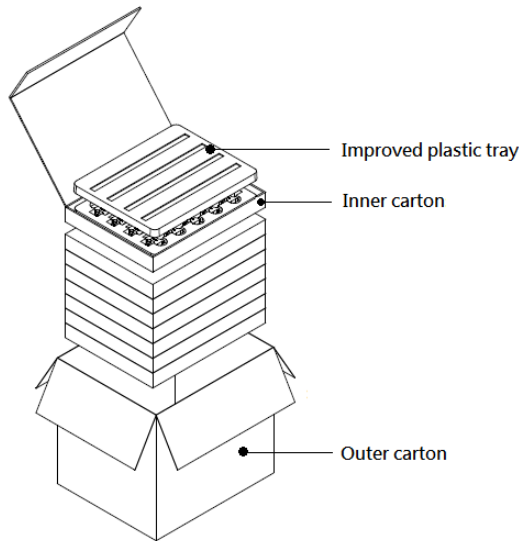


BEFORE CHANGE



Plastic tray

AFTER CHANGE



Plastic tray

RELIABILITY / QUALIFICATION SUMMARY:

Testing standard: DIN EN 222480

Product approval is according to the specification and is internally released by the Product Management Department.