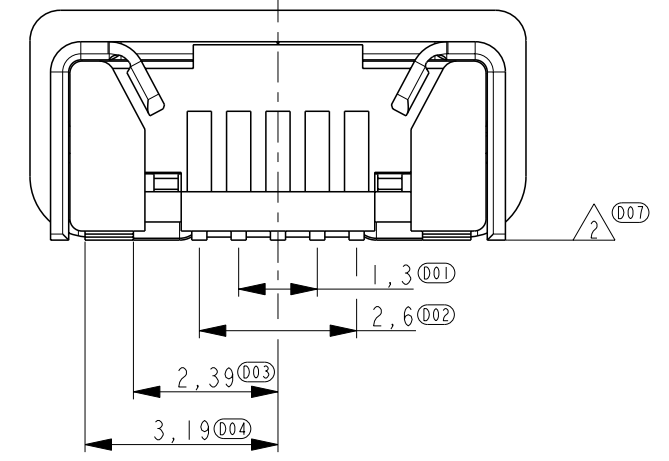
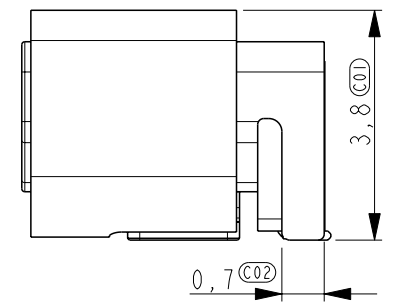
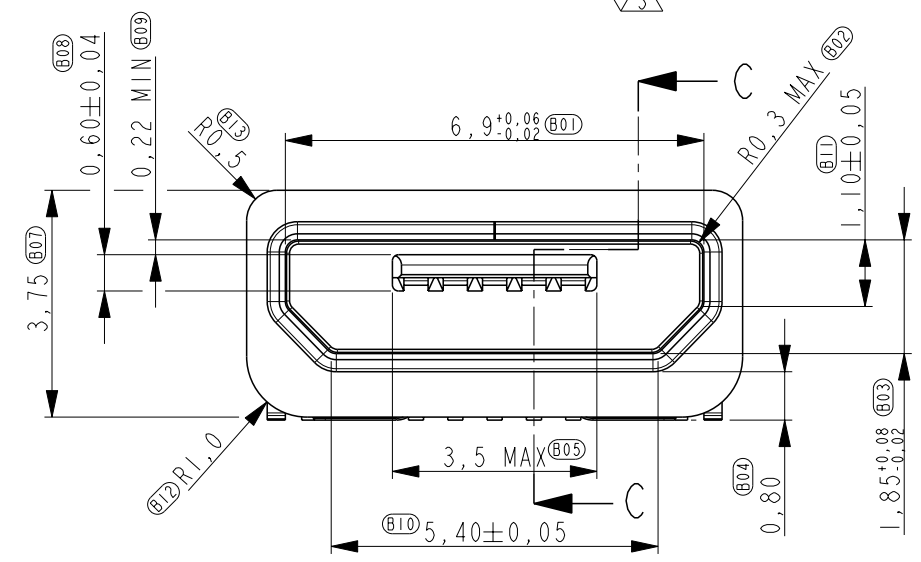
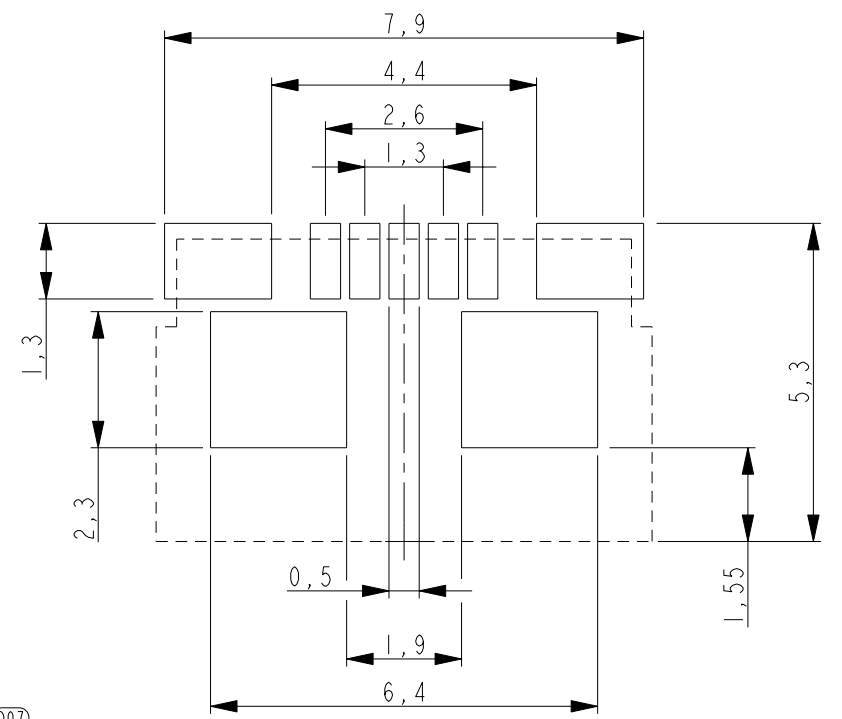
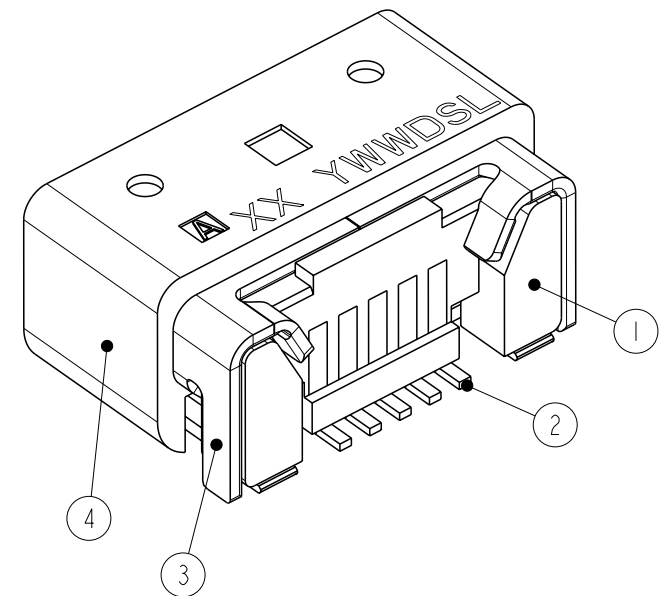
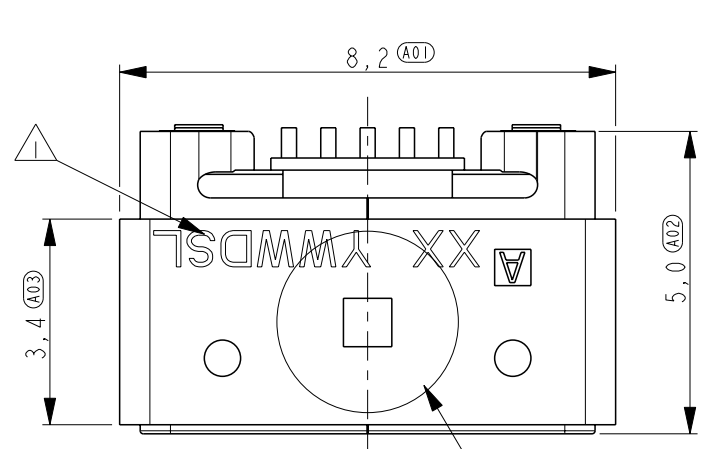
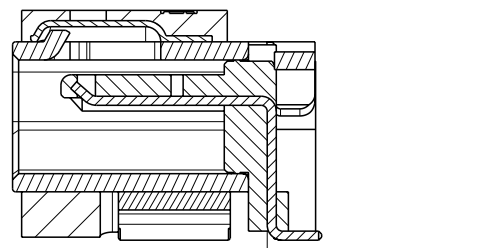
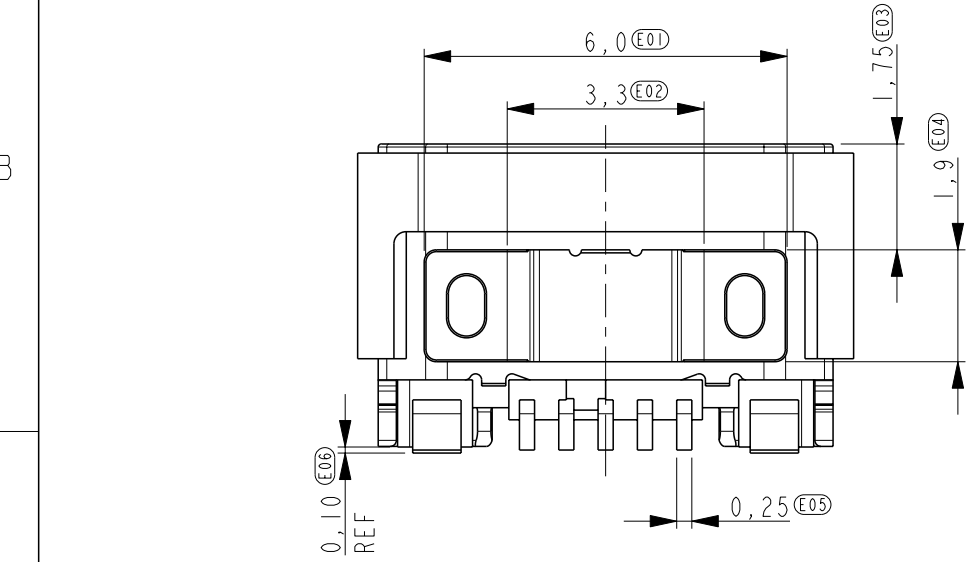


THIS DRAWING IS UNPUBLISHED. RELEASED FOR PUBLICATION 20  
 © COPYRIGHT 20 ALL RIGHTS RESERVED.

LOC	DIST	REVISIONS				
P	LTR	DESCRIPTION	DATE	DWN	APVD	
-	-	I	FIRST ISSUE	18APR2013	WJ	DH
-	-	A	ECR-13-011357	17JUL2013	RK	MG



RECOMMENDED PWB LAYOUT (REF)



SECTION C-C 0.85 (E01)

- NOTES:  
 1 VERSION: XX, PRODUCTION DATE: YWWD, SHIFT CODE: S, PRODUCTION LINE NO: L.  
 2 COPLANARITY OF 11 SOLDER SURFACES 0,08 MAX AFTER 3X REFLOW.  
 3 PICK AND PLACE AREA Ø3

TE PN: 2246077-1

THIS DRAWING IS A CONTROLLED DOCUMENT.

DIMENSIONS:	TOLERANCES UNLESS OTHERWISE SPECIFIED:
mm	0 PLC ±0,2
	1 PLC ±0,1
	2 PLC ±0,1
	3 PLC ±0,025
	4 PLC ±0,001
	ANGLES ±2°
MATERIAL	FINISH

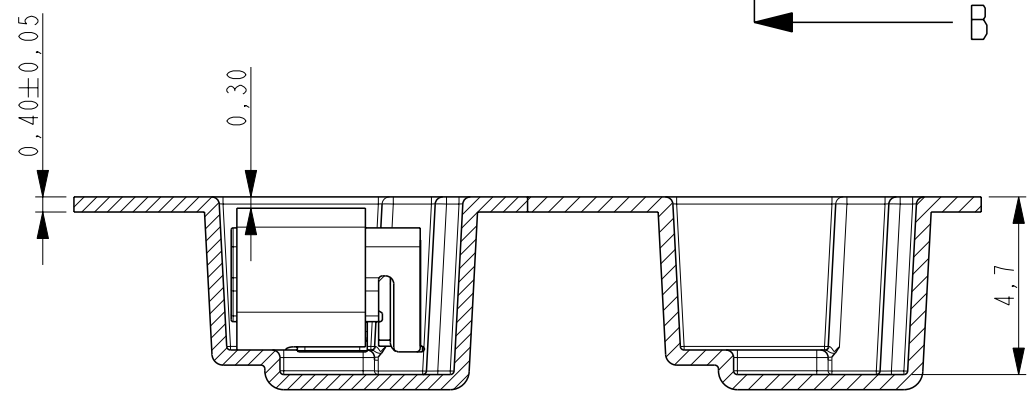
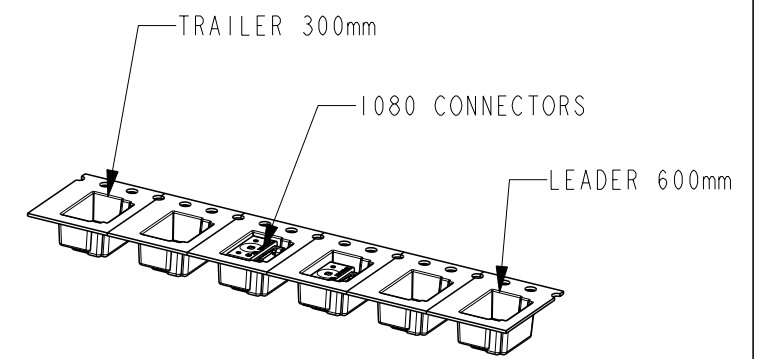
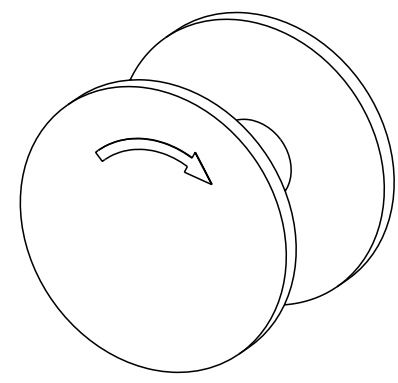
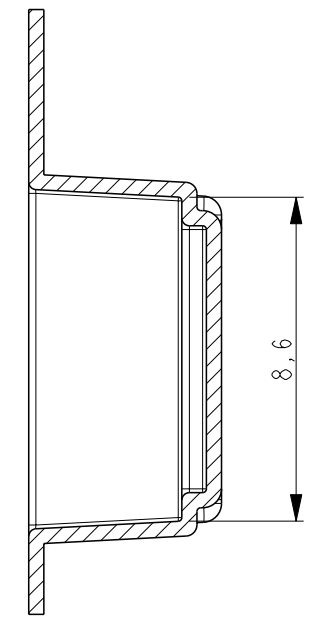
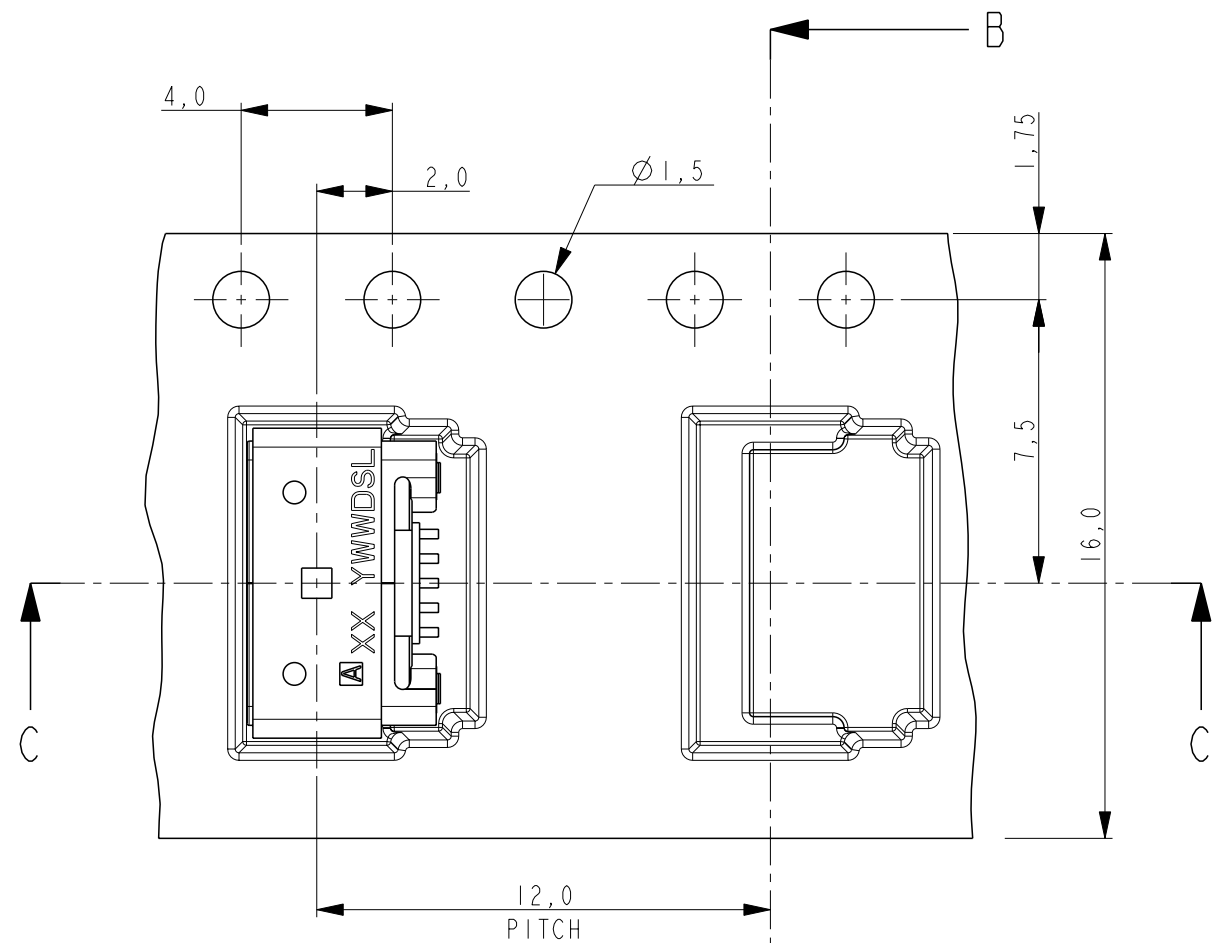
ITEM NO.	DESCRIPTION	MATERIAL	FINISH
4	SLEEVE	LCP	
3	SHELL	STAINLESS STEEL	Tin over Nickel plating
2	CONTACT	COPPER ALLOY	Gold over Nickel plating
1	HOUSING	LCP	

DWN	18APR2013	 TE Connectivity	NAME SPLASH-PROOF MICRO USB B-TYPE 0,8 mm OFFSET		
CHK	18APR2013				
APVD	18APR2013				
PRODUCT SPEC	108-19460				
APPLICATION SPEC	-	SIZE	CAGE CODE	DRAWING NO	RESTRICTED TO
WEIGHT	0,33gr	A3	00779	C-2246077	-
CUSTOMER DRAWING	SCALE	8:1	SHEET	1 OF 3	REV
					A


THIS DRAWING IS UNPUBLISHED. RELEASED FOR PUBLICATION 20  
 © COPYRIGHT 20 ALL RIGHTS RESERVED.

LOC		DIST		REVISIONS			
P	LTR	DESCRIPTION	DATE	DWN	APVD		
-	-	SEE SHEET 1	-	-	-		

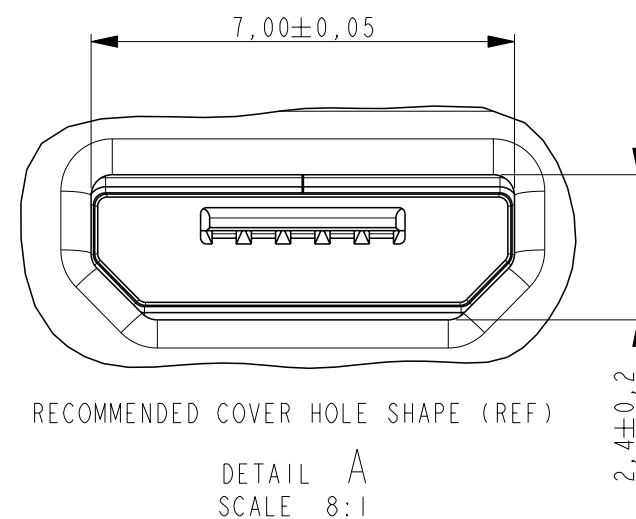
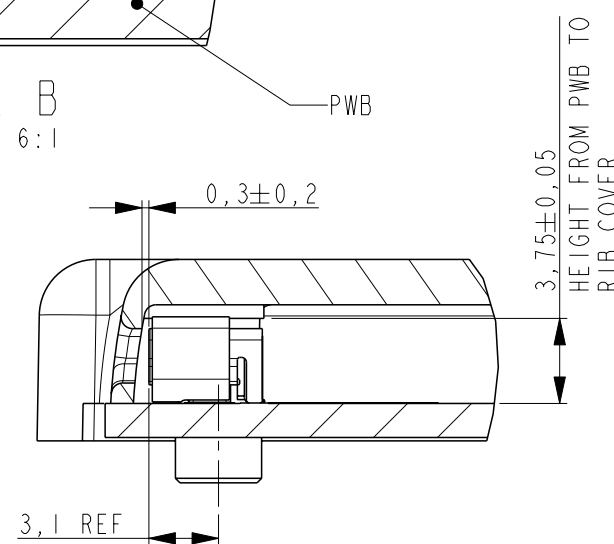
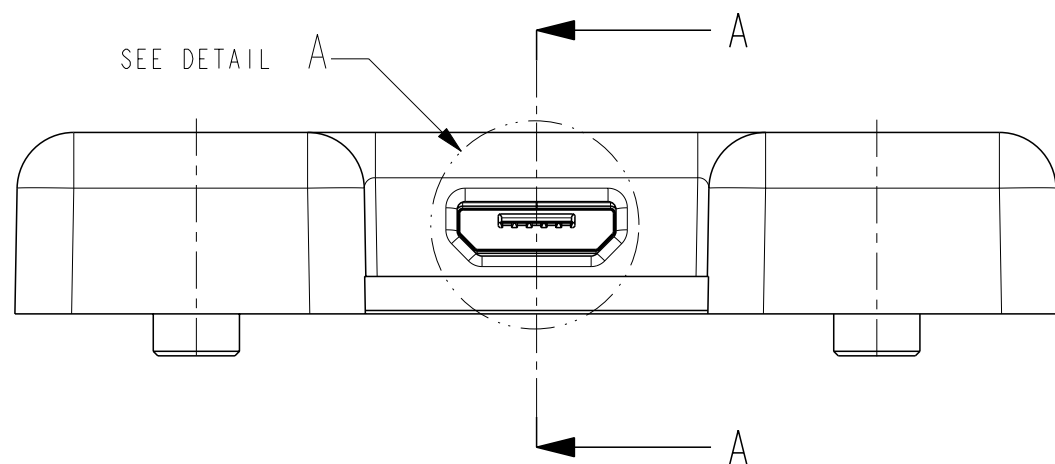
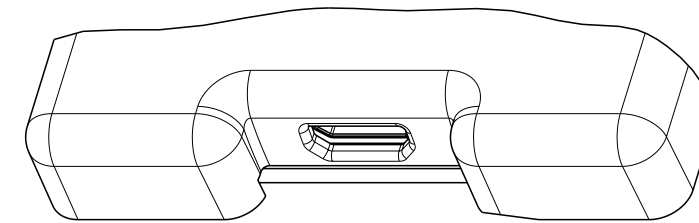
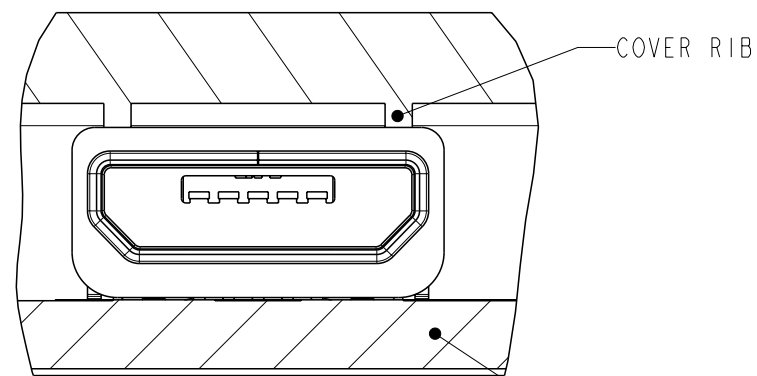
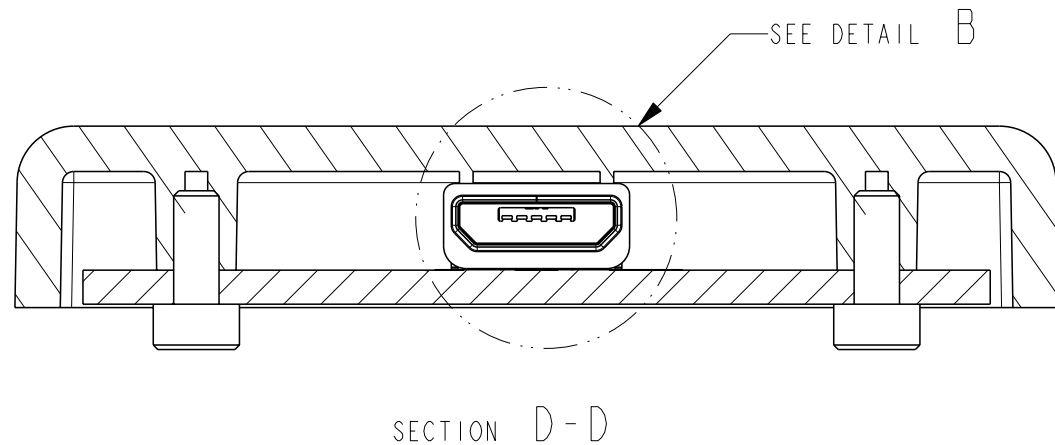


SECTION C-C

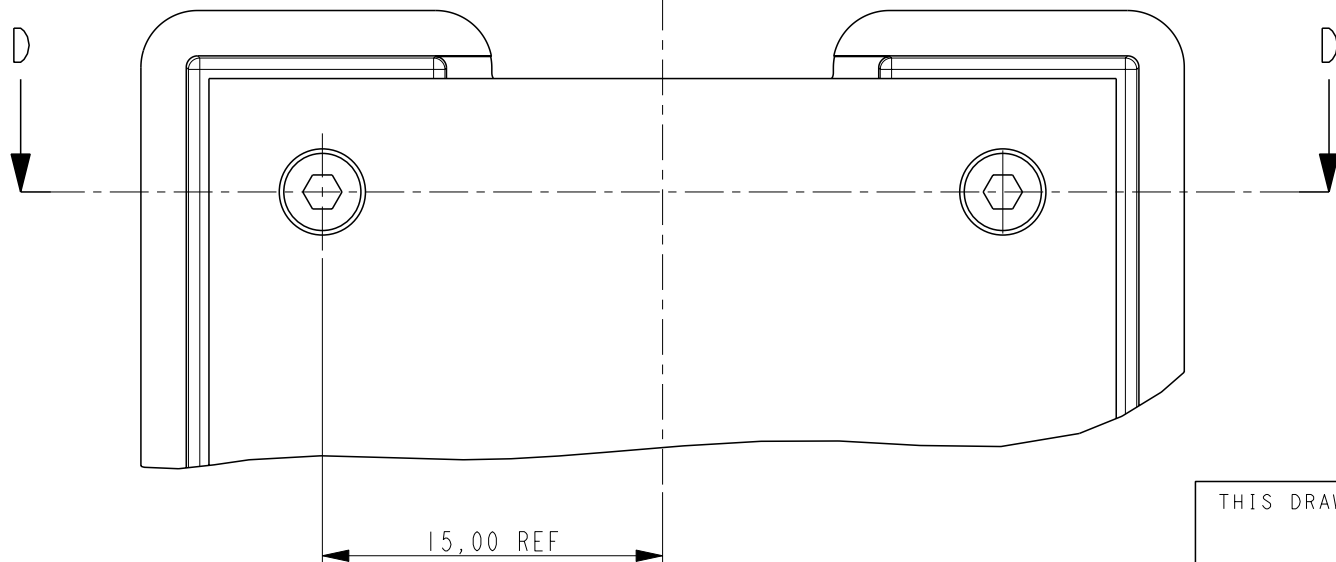
NOTES:  
COVER, EMOSS TAPE AND REEL ACCODING EIA STANDARD 481-D

THIS DRAWING IS A CONTROLLED DOCUMENT.		DWN W. Jansen 18APR2013	 TE Connectivity <b>SPLASH-PROOF MICRO USB B-TYPE 0,8 mm OFFSET</b>		
DIMENSIONS: mm		CHK W. Jansen 18APR2013			
TOLERANCES UNLESS OTHERWISE SPECIFIED:		APVD D. Halberstadt 18APR2013			
0 PLC ±0,2 1 PLC ±0,1 2 PLC ±0,1 3 PLC ±0,025 4 PLC ±0,001 ANGLES ±2°		NAME			
MATERIAL -		FINISH -	PRODUCT SPEC 108-19460	APPLICATION SPEC -	RESTRICTED TO -
		WEIGHT 0,33gr	SIZE A3	CAGE CODE 00779	DRAWING NO C-2246077
		CUSTOMER DRAWING	SCALE 5:1	SHEET 2	OF 3 REV A

P	LTR	DESCRIPTION	DATE	DWN	APVD
-	-	SEE SHEET 1	-	-	-



RECOMMENDED PWB AND COVER ASSEMBLY (REF)



THIS DRAWING IS A CONTROLLED DOCUMENT.

DIMENSIONS:	TOLERANCES UNLESS OTHERWISE SPECIFIED:
mm	
	0 PLC ±0,2
	1 PLC ±0,1
	2 PLC ±0,1
	3 PLC ±0,025
	4 PLC ±0,001
	ANGLES ±2°

MATERIAL - FINISH -

DWN	W. Jansen	18APR2013
CHK	W. Jansen	18APR2013
APVD	D. Halberstadt	18APR2013
PRODUCT SPEC	108-19460	
APPLICATION SPEC	-	
WEIGHT	0,33gr	
CUSTOMER DRAWING		



NAME			
SPLASH-PROOF MICRO USB B-TYPE 0,8 mm OFFSET			
SIZE	CAGE CODE	DRAWING NO	RESTRICTED TO
A3	00779	C=2246077	-
SCALE 3:1		SHEET 3 OF 3	REV A