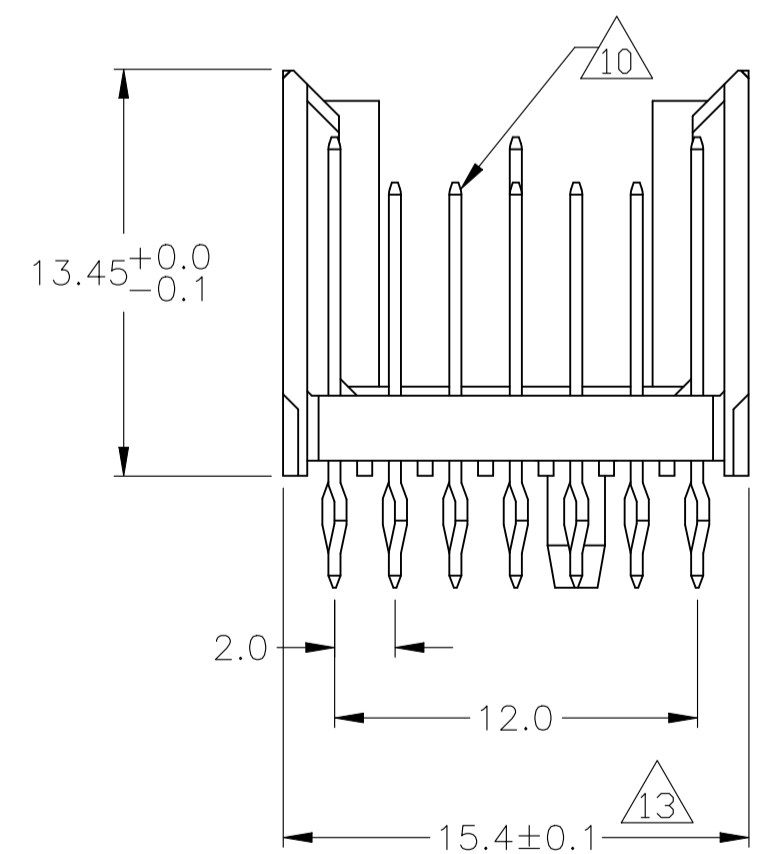
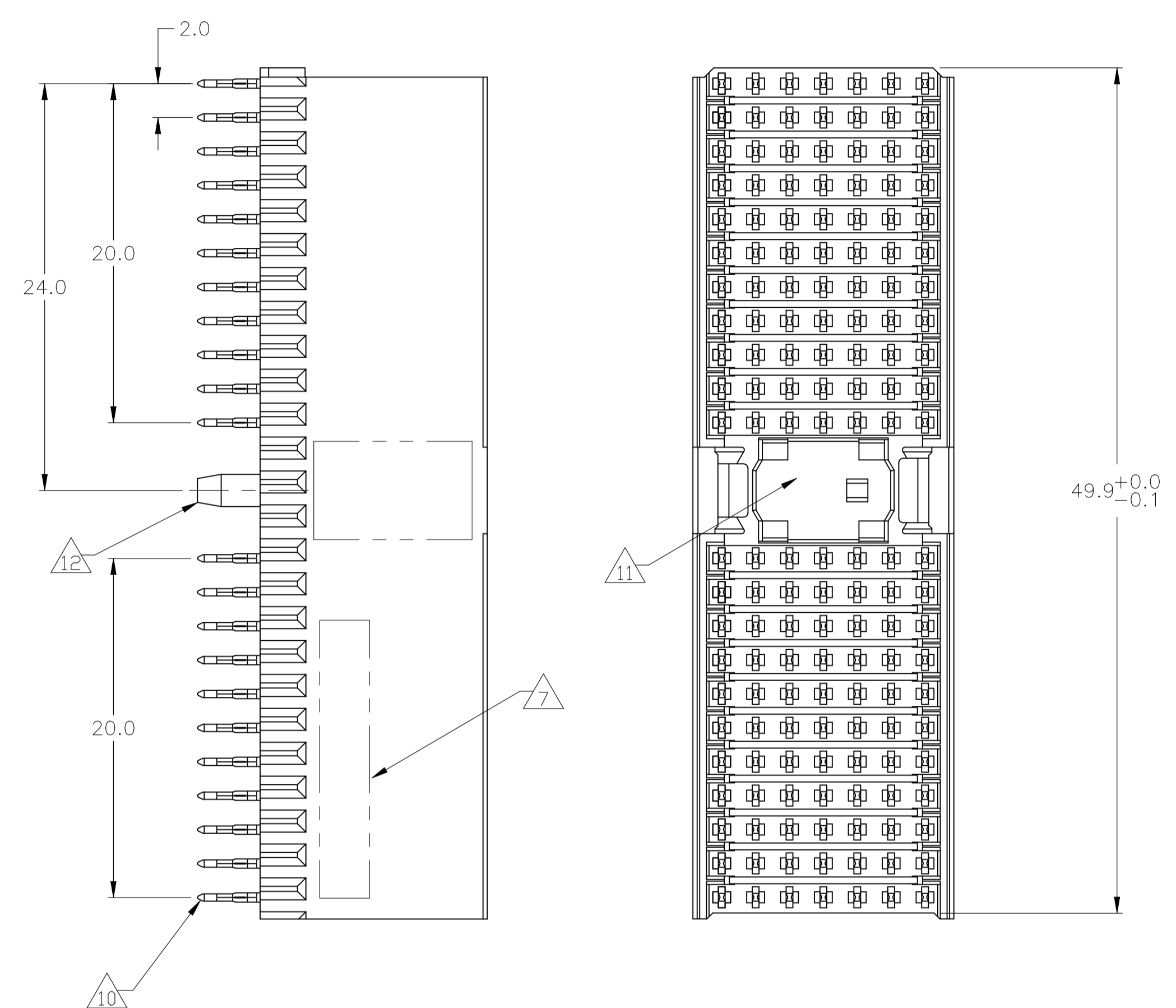
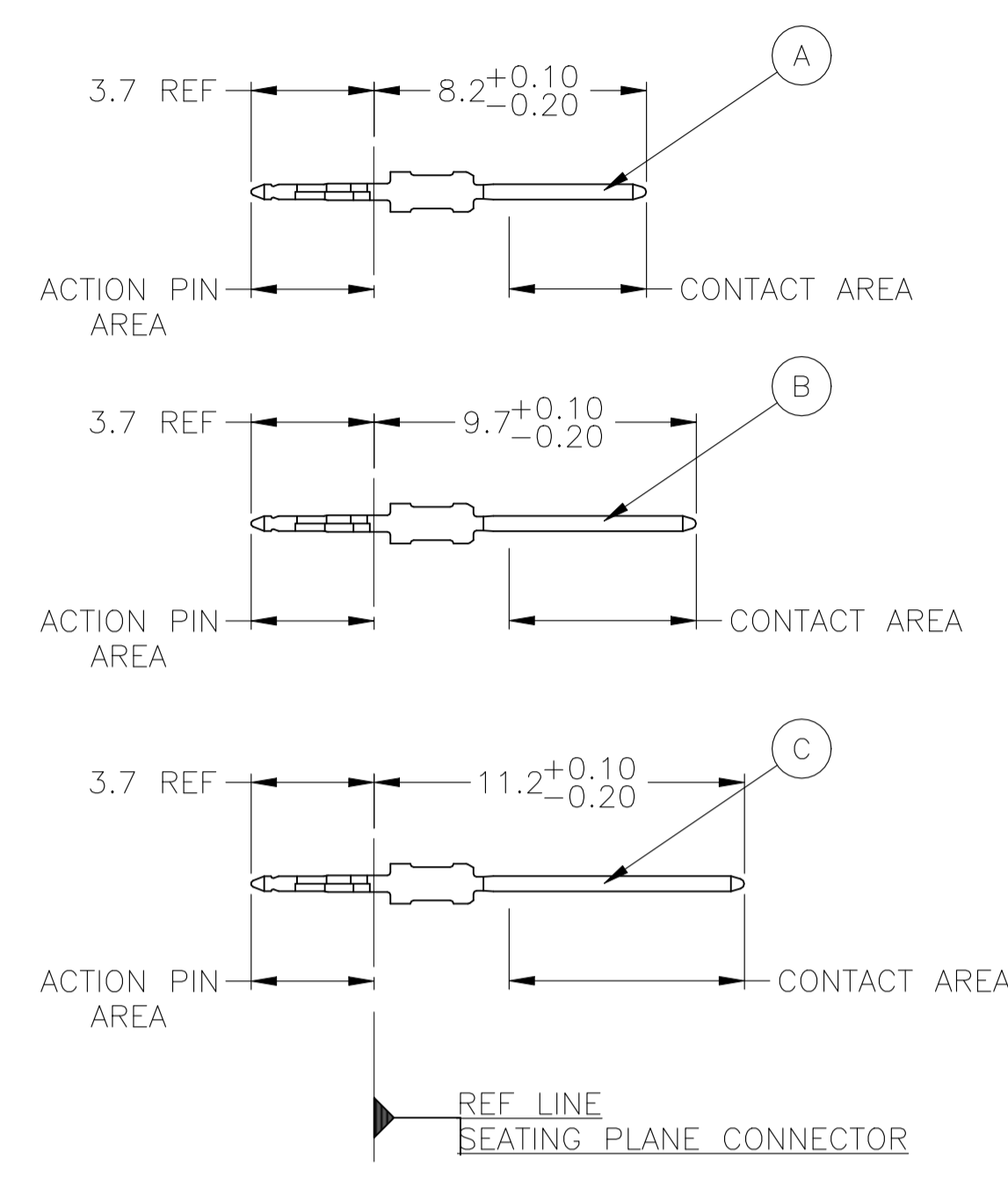


### CONNECTOR ASSEMBLY EXAMPLARY LOADED



### CONTACT DIMENSIONS

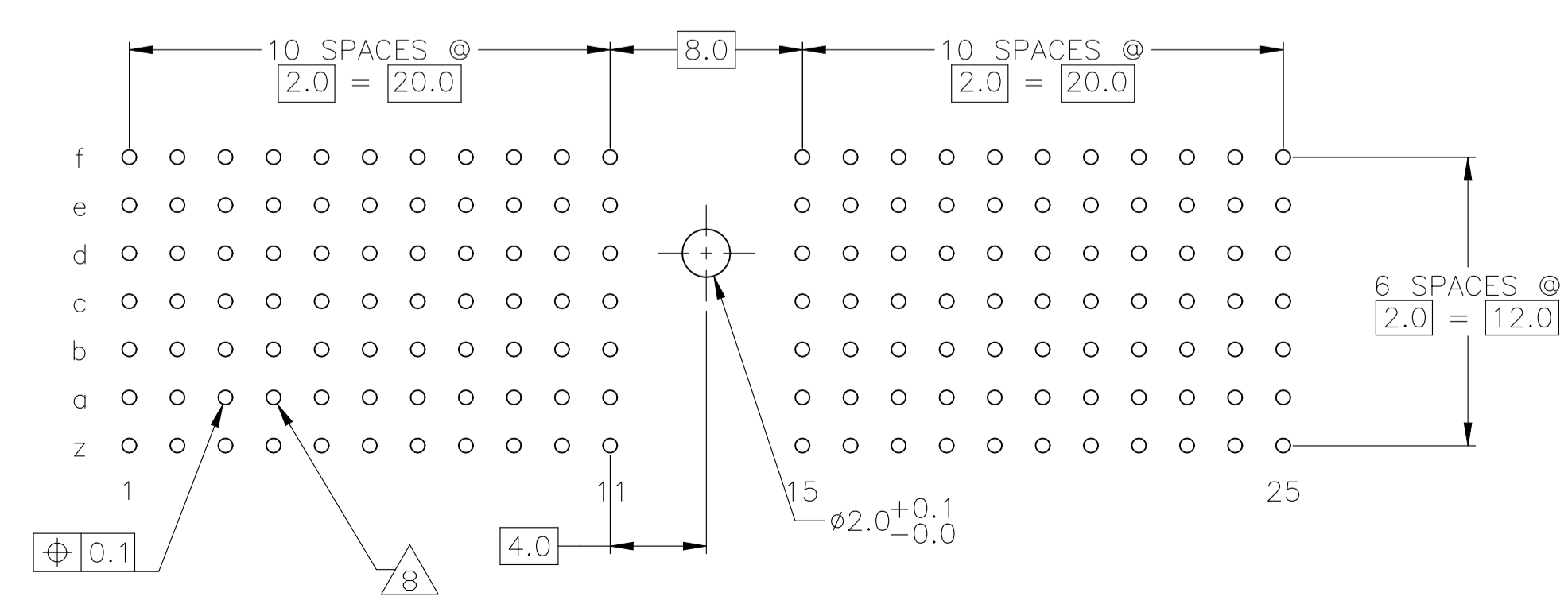
SCALE 5:1



### CONTACT LAYOUT

	z	a	b	c	d	e	f
1	C	B	B	B	B	B	C
2	C	B	B	B	B	B	C
3	C	B	B	B	B	B	C
4	C	B	B	B	B	B	C
5	C	B	B	B	B	B	C
6	C	B	B	B	B	B	C
7	C	B	B	B	B	B	C
8	C	B	B	B	B	B	C
9	C	B	B	B	B	B	C
10	C	B	B	C	B	B	C
11	C	B	B	B	A	B	C
MULTI PURPOSE CENTER							
15	C	B	B	B	B	B	C
16	C	B	B	B	B	B	C
17	C	B	B	B	B	B	C
18	C	B	B	B	B	B	C
19	C	B	B	B	B	B	C
20	C	B	B	B	B	B	C
21	C	B	B	B	B	B	C
22	C	B	B	B	B	B	C
23	C	B	B	B	B	B	C
24	C	B	B	B	B	B	C
25	C	B	B	B	B	B	C

### RECOMMENDED PCB-HOLE LAYOUT COMPONENT SIDE SHOWN



### PLATED THRU HOLES PARAMETERS

REFERENCE APPLICATION SPECIFICATION

OBSOLETE	REV	DESCRIPTION	PART NUMBER	
	2	6	14	1-5188834-9
	2	5	14	5188834-9
	2	4	14	5188834-4
	2	3	14	5188834-1
		FINISH	PART NUMBER	


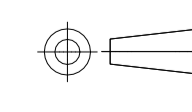
THIS DRAWING IS A CONTROLLED DOCUMENT.

DIMENSIONS: mm	TOLERANCES UNLESS OTHERWISE SPECIFIED:	DIN B CARBO 15JUL05	15JUL05
0-PLC ±	1-PLC ±0.1	G.SKIPPER 15JUL05	15JUL05
2-PLC ±	3-PLC ±	G.SKIPPER 15JUL05	15JUL05
4-PLC ±	ANGLES ±	NAME	MALE ASSEMBLY, Z-PACK 2mm HM, TYPE A
MATERIAL	FINISH SEE TABLE	APPLICATION SPEC	108-19082
		APPLICATION SPEC	114-19029
		WEIGHT	0
		SIZE	A1
		CAGE CODE	00779
		DRAWING NO	5188834
		RESTRICTED TO	
		CUSTOMER DRAWING	

SCALE 4:1 SHEET 1 OF 2 REV B

REVISIONS				
REV	DATE	DESCRIPTION	BY	APP'D
-	-	SEE SHEET 1	-	-

- 1 MATERIAL:  
CONTACT: PHOSPHOR BRONZE.  
HOUSING: GLASS-FILLED POLYESTER.
- 2 GENERAL PLATING SPECIFICATION: UNDERPLATING  
(ENTIRE CONTACT): 1.27µm MIN NICKEL AND ACTION  
PIN: 0.5µm MIN TIN.  
FOR PLATING OF MATING SURFACES SEE APPLICABLE  
SPECIFICATION REFERENCE FOR EACH DASH NUMBER.
- 3 CONFORMS TO ALL TESTING ACCORDING TO IEC 61076-4-101  
PERFORMANCE LEVEL 2.
- 4 CONFORMS TO ALL TESTING ACCORDING TO IEC 61076-4-101  
PERFORMANCE LEVEL 1.
- 5 CONNECTOR TESTED AND QUALIFIED AGAINST TELCORDIA GR-1217-CORE QUALITY LEVEL 3,  
CENTRAL OFFICE APPLICATIONS.
- 6 CONNECTOR TESTED AND QUALIFIED AGAINST TELCORDIA GR-1217-CORE QUALITY LEVEL 3,  
UNCONTROLLED ENVIROMENT APPLICATIONS.
- 7 CONNECTOR MARKED WITH PART NUMBER AND DATE CODE.  
ADDITIONAL CHARACTERS OR MARKINGS, AS WELL AS THE LOCATION OF THE MARKINGS,  
MAY BE ADDED FOR TRACEABILITY BASED UPON MANUFACTURERS DISCRETION.
- 8 PLATED-THROUGH HOLES AT 2x2mm SQUARE GRID  
PATTERN DEFINED BY CONTACT LAYOUT.
- 9 FOR ACTUAL PIN LOADING SEE "CONTACT LAYOUT".
- 10 FOR ACTUAL PIN DIMENSIONS SEE "CONTACT DIMENSIONS".
- 11 AREA RESERVED FOR KEYING PART (BASIC P/N 100525)
- 12 POLARIZATION FEATURE.
- 13 TO BE MEASURED AT BOTTOM OF SHROUD.
- 14 CONNECTOR LUBRICATED WITH BELCORE APPROVED LUBRICANT,  
TECHNICAL REFERENCE: TR-NWT-001217 ISSUE 1, SEP 1992.

THIS DRAWING IS A CONTROLLED DOCUMENT.		DWG G. CARBO 15JUL05	 TE Connectivity Ltd.	
		CHK G. SKIPPER 15JUL05		
DIMENSIONS: mm		TOLERANCES UNLESS OTHERWISE SPECIFIED: 0-PLC ± 1-PLC ± 0.1 2-PLC ± 3-PLC ± 4-PLC ± ANGLES ±	APPROVED G. SKIPPER 15JUL05	NAME MALE ASSEMBLY, Z-PACK 2mm HM, TYPE A
		±0.2	PRODUCT SPEC 108-19082	APPLICATION SPEC 114-19029
MATERIAL SEE SHEET 1	FINISH SEE SHEET 1	WEIGHT -	SIZE A1	CAGE CODE 00779
		DRAWING NO 5188834	RESTRICTED TO -	
		CUSTOMER DRAWING	SCALE 4:1	SHEET 2 of 2
			REV B	