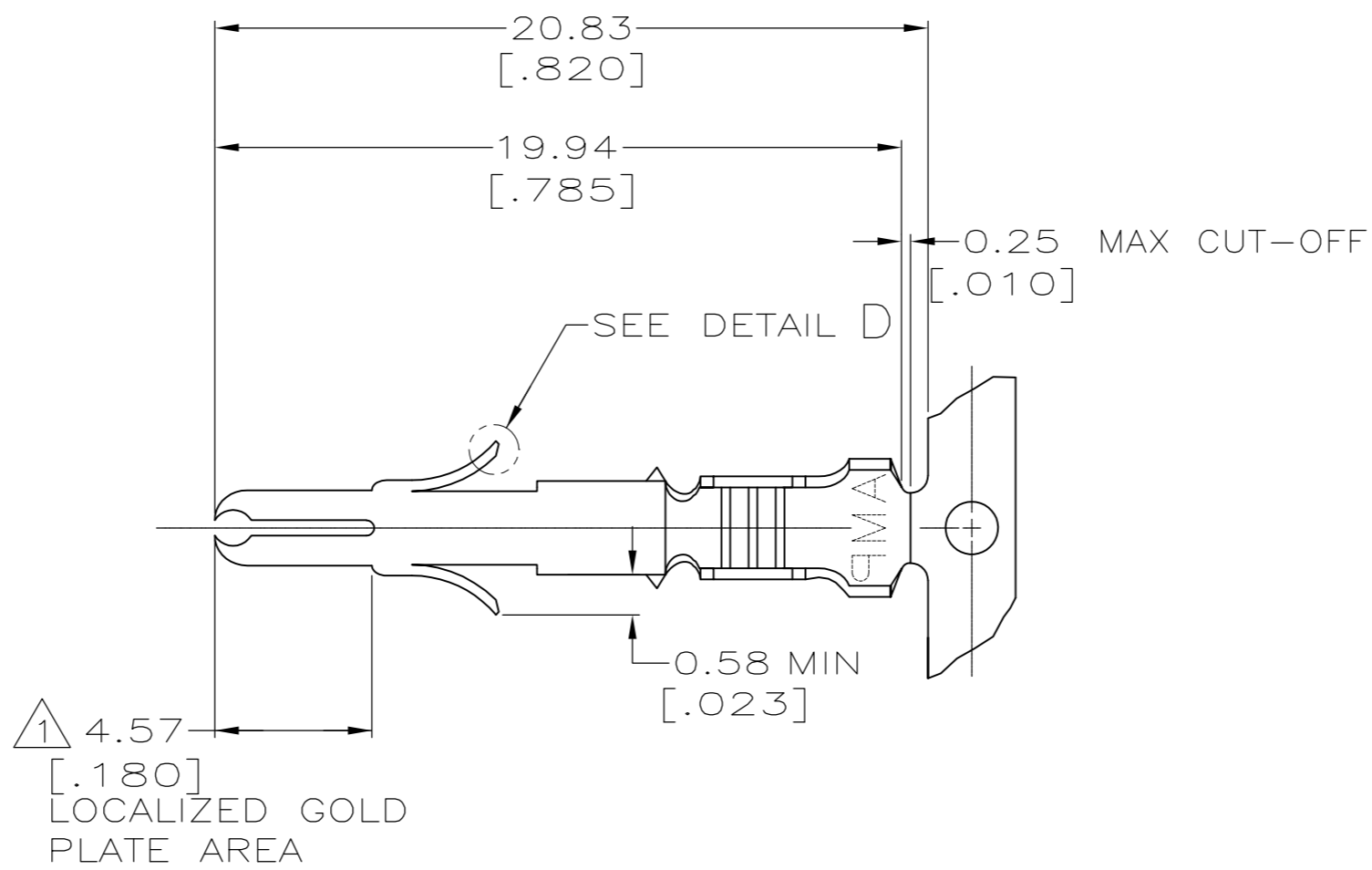
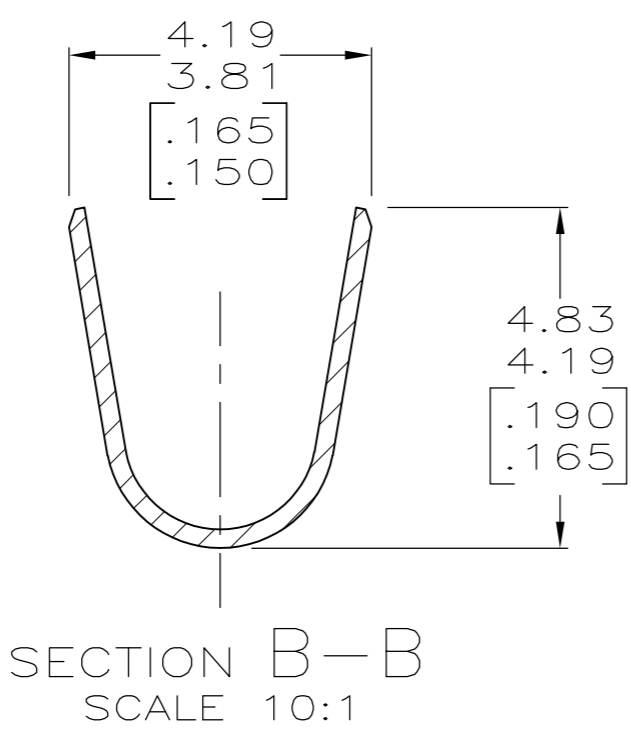
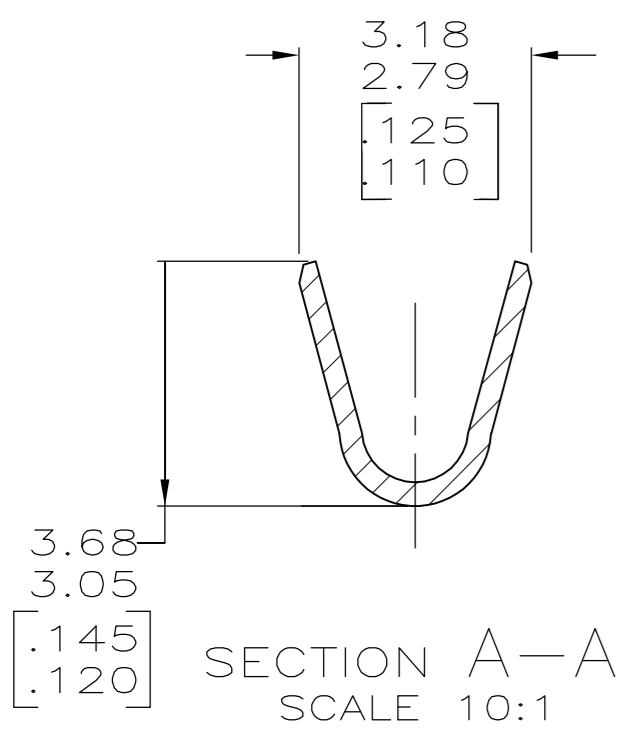
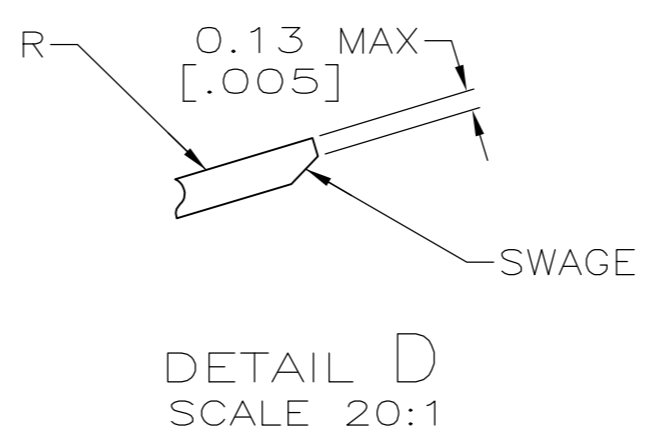
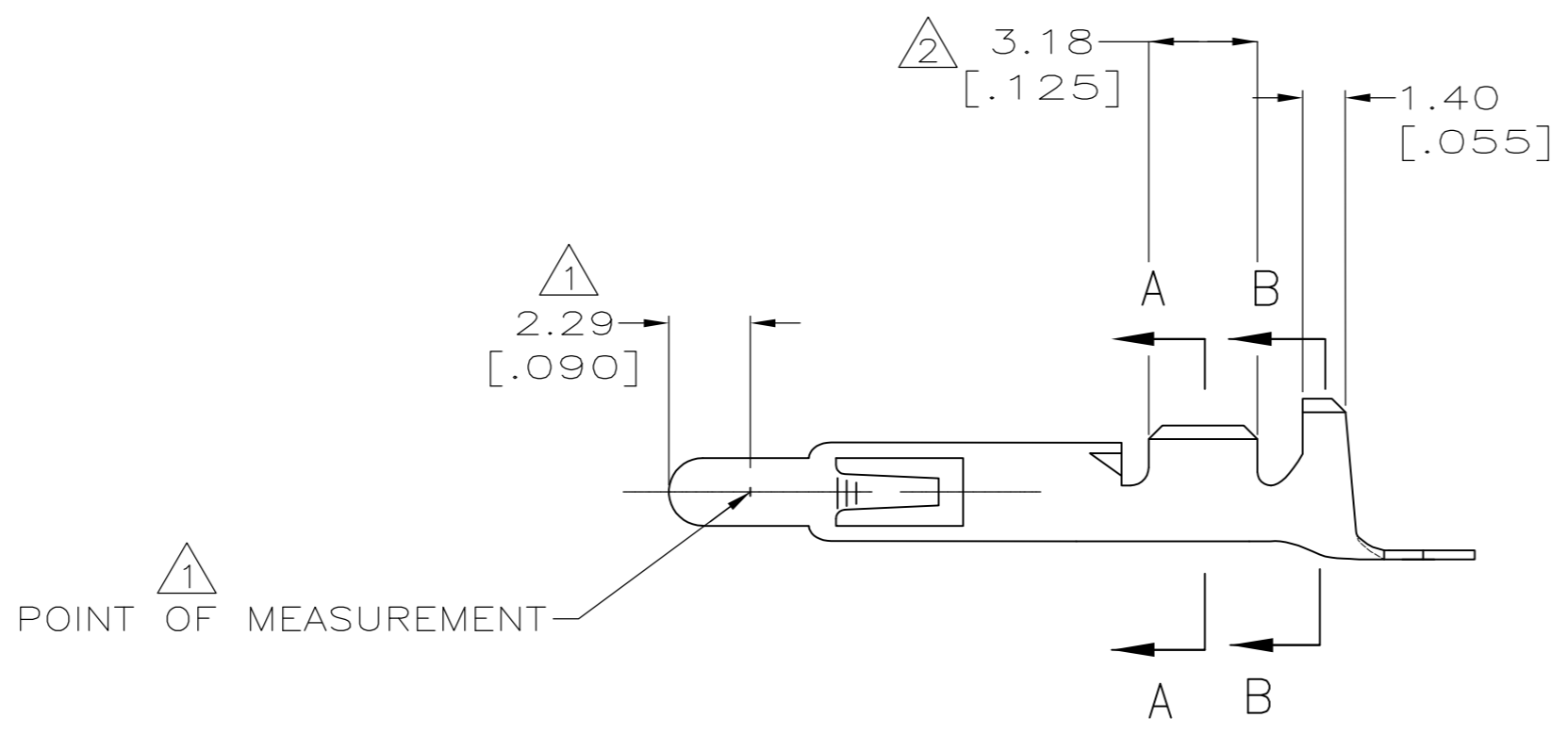
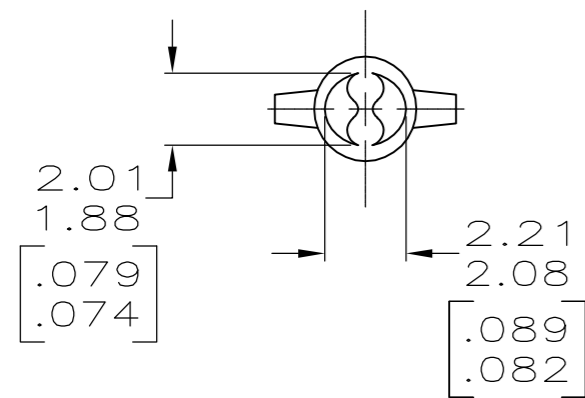


THIS DRAWING IS UNPUBLISHED. RELEASED FOR PUBLICATION
 © COPYRIGHT - By - ALL RIGHTS RESERVED.

LOC	DIST	REVISIONS					
CM	53	P	LTR	DESCRIPTION	DATE	DWN	APVD
		AA		REVISED PER ECR-16-002894	24MAR2016	BW	EW



- 1 PLATED WITH 0.00076 [.000030] GOLD, OVER 0.00127 [.000050] NICKEL UNDERPLATE.
- 2 PLATED INTERNALLY WITH 0.00076 [.000030] GOLD.
- 3 DIMENSIONS IN BRACKETS ARE IN INCHES.
- 4 PRELIMINARY, NOT FOR PRODUCTION.
- 5 INSULATION RANGE: 1.52-3.30 [.060-.130] DIA.



LOOSE PIECE (REF)	MATERIAL	FINISH	PART NUMBER
-	0.31 [.012] BE CU	PRE-TIN	350687-9
350705-7	0.31 [.012] BRASS	GOLD 1	350687-7
-	0.31 [.012] PH BRZ	GOLD 1	350687-5
350705-2	0.31 [.012] BRASS	GOLD 1 2	350687-2
350705-1	0.31 [.012] BRASS	PRE-TIN	350687-1

THIS DRAWING IS A CONTROLLED DOCUMENT.

DIMENSIONS: mm [INCHES]

TOLERANCES UNLESS OTHERWISE SPECIFIED:

0 PLC	± -
1 PLC	± -
2 PLC	± 0.13 [.005]
3 PLC	± -
4 PLC	± -
ANGLES	± 0° 30'

FINISH: -

WIRE RANGE: 20-14 AWG

MATERIAL: -

THIS DRAWING IS A CONTROLLED DOCUMENT.

DWN: K. WHITAKER 12-MAY-2000

CHK: K. COBLE 12-MAY-2000

APVD: K. COBLE 12-MAY-2000

PRODUCT SPEC: -

APPLICATION SPEC: -

WEIGHT: -

CUSTOMER DRAWING

TE Connectivity

PIN, UNIVERSAL MATE-N-LOK™

SIZE: A2 CAGE CODE: 00779 DRAWING NO: C=350687 RESTRICTED TO: -

SCALE: 5:1 SHEET: 1 of 1 REV: AA