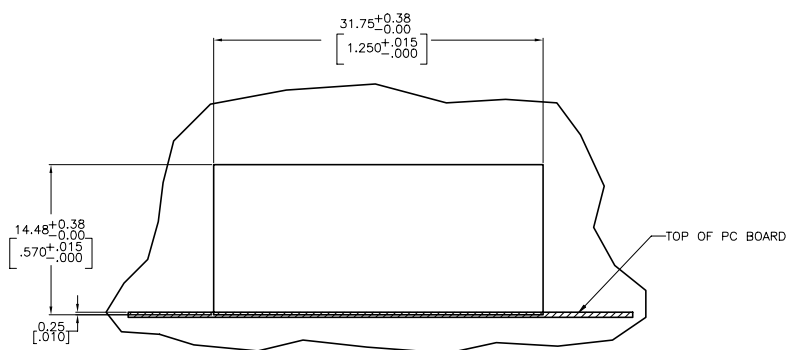
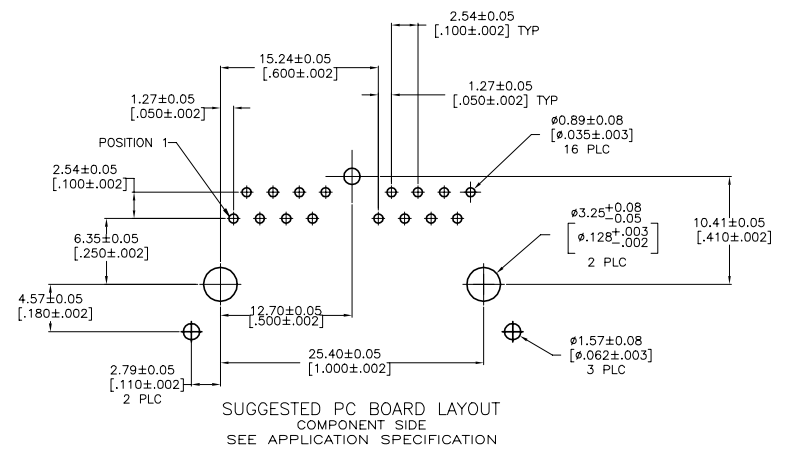
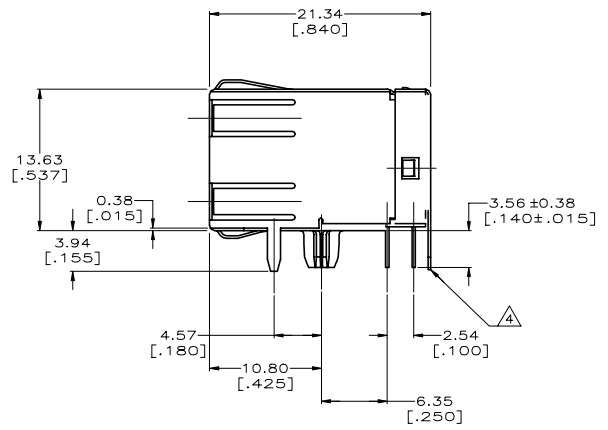
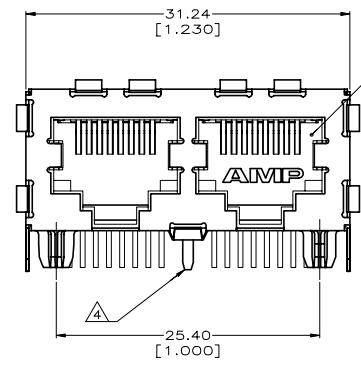


REVISIONS				
REV	DATE	DESCRIPTION	BY	APP'D
C1	13DEC2020	ECR-19-014657	RR	SZ

1. MATERIAL:  
 HOUSING - NYLON, COLOR: BLACK, UL 94V-0.  
 OVERMOLDED TERMINAL ARRAY - PBT, BROWN.  
 TERMINALS - 0.33 [.013] THICK PHOS BRONZE  
 PLATED WITH 1.27µm [.000050] THICK HARD  
 GOLD IN LOCALIZED AREA AND 3.81µm [.000150]  
 THICK MATTE TIN IN SOLDER AREA OVER 1.27µm  
 [.000050] THICK NICKEL UNDERPLATE.  
 SHIELD - 0.254 [.010] THICK COPPER ALLOY  
 PLATED WITH 1.27µm [.000050] MINIMUM  
 NICKEL AND 2.03µm [.000080] MINIMUM  
 HOT TIN DIP ON PCB GROUND TABS.

- △ JACK CAVITY CONFORMS TO FCC RULES AND REGULATIONS, PART 68 SUBPART F.
- △ THIS HOLE REQUIRED FOR -2 ONLY.
- △ REAR GROUND TAB NOT REQUIRED FOR -1.



WITH REAR PCB GROUND TAB	5406566-2
WITHOUT REAR PCB GROUND TAB	5406566-1
DESCRIPTION	PART NO.

THIS DRAWING IS A CONTROLLED DOCUMENT.		DRN: 5406566-2	DATE: 18JAN2020	REV: 001
DIMENSIONS: mm (INCHES)		DESIGNED BY: S. ELICKINGER	DATE: 18JAN2020	NAME: S. ELICKINGER
TOLERANCES UNLESS OTHERWISE SPECIFIED:		PRODUCT SPEC: 108-1163-2		
0 PLC ± .	1 PLC ± .	APPLICATION SPEC: 114-2048		
2 PLC ± 0.25(0.1)	3 PLC ± 0.13(0.05)	SIZE: A1		
4 PLC ± .	5 PLC ± .	DATE CODE: 100779		
MATERIAL: SEE NOTE 1	FINISH: SEE NOTE 1	WEIGHT: 0.000000	DRAWING NO: 5406566	RESTRICTED TO: -
CUSTOMER DRAWING		SCALE: 4:1	SHEET: 1 of 1	REV: C1