

# C3216C0G1H104J160AA

TDK Item Description : C3216C0G1H104JT\*\*\*\*

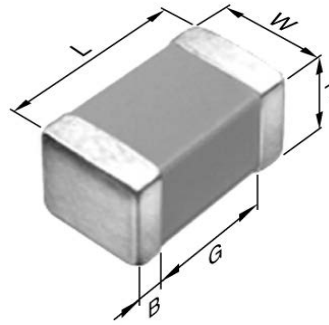


## Application & Main Feature

Commercial Grade(Up to 50V)

## Series

C3216 [EIA 1206]



## Dimensions

|   |                |
|---|----------------|
| L | 3.20mm ±0.20mm |
| W | 1.60mm ±0.20mm |
| T | 1.60mm ±0.20mm |
| B | 0.20mm Min.    |
| G | 1.00mm Min.    |

## Temperature Characteristic

C0G (-55 to 125 degC 0+/-30ppm/degC)

## Rated Voltage

1H(50Vdc)

## Capacitance

100nF

## Capacitance Tolerance

J (±5%)

## Q Factor

1000 Min.

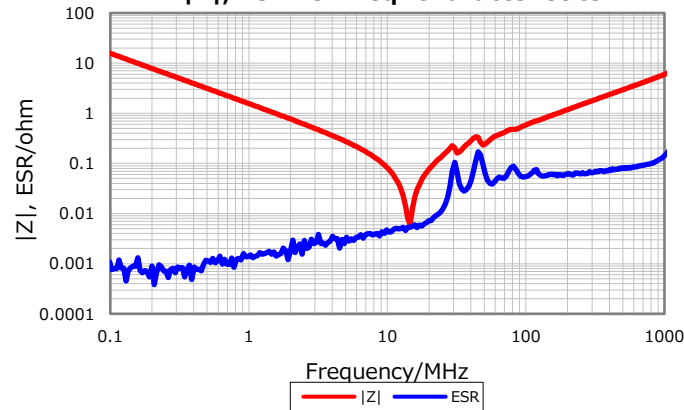
## Insulation Resistance

5Gohm Min

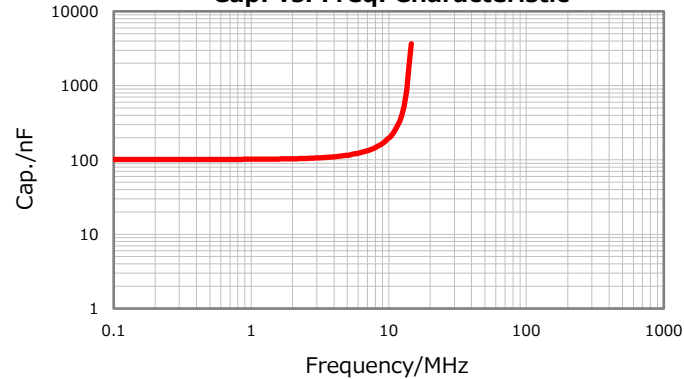
## AEC-Q200

Not Applicable

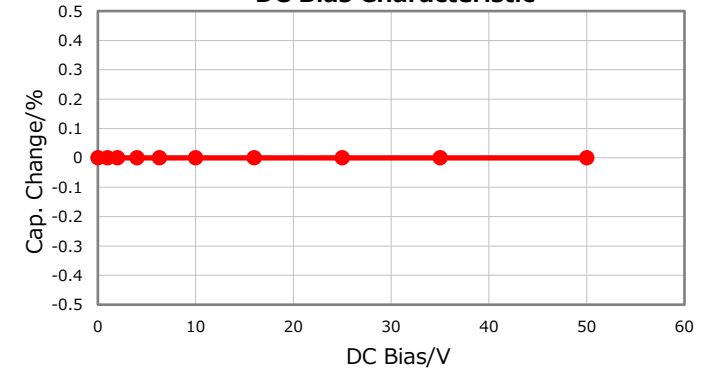
## |Z|, ESR vs. Freq. Characteristics



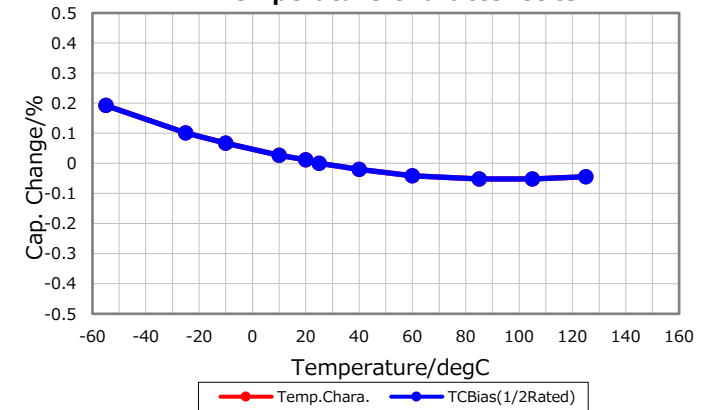
## Cap. vs. Freq. Characteristic



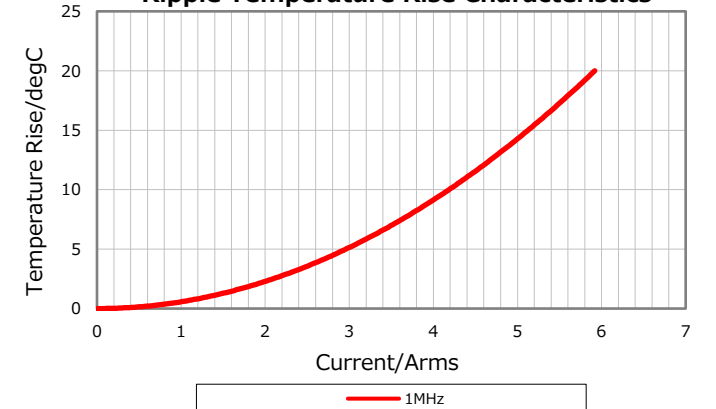
## DC Bias Characteristic



## Temperature Characteristics



## Ripple Temperature Rise Characteristics



Characterization Sheet (Multilayer Ceramic Chip Capacitors)



All specifications are subject to change without notice.

May 22, 2019