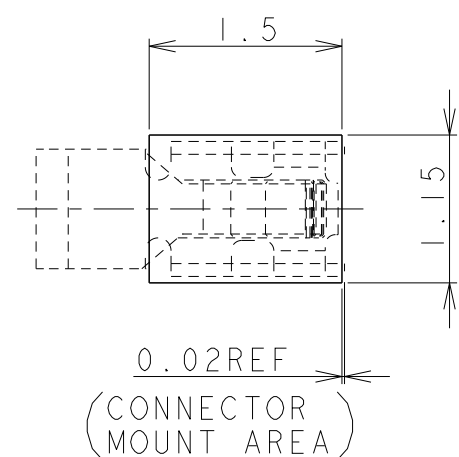
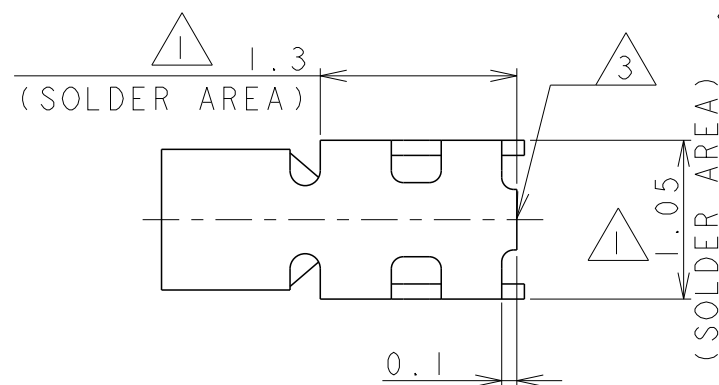
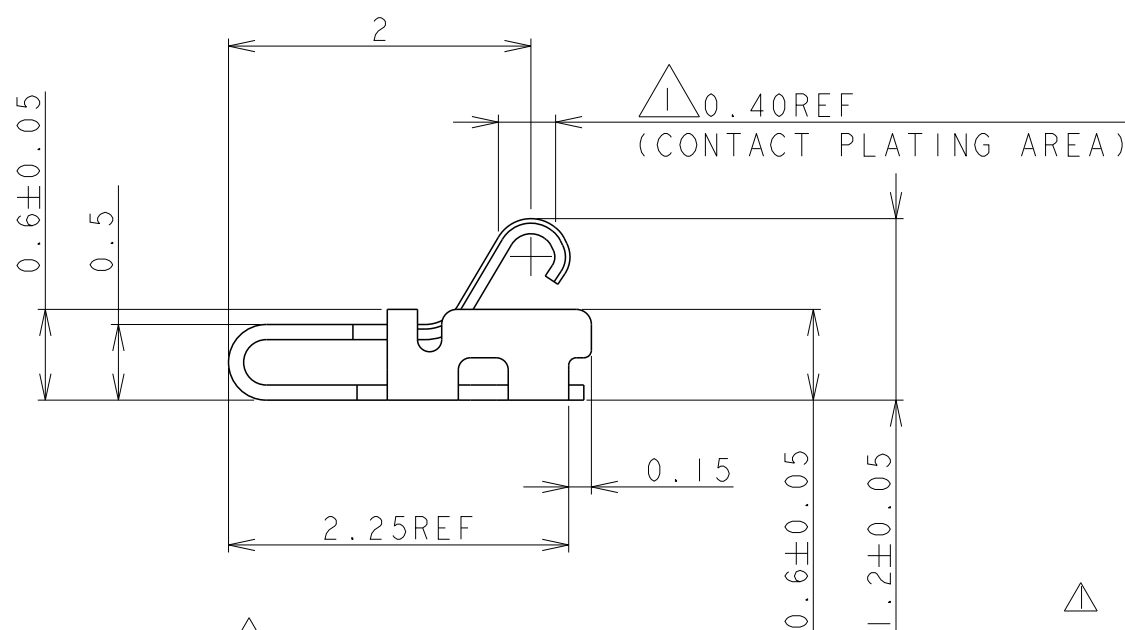
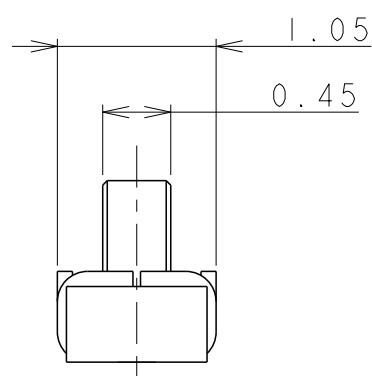
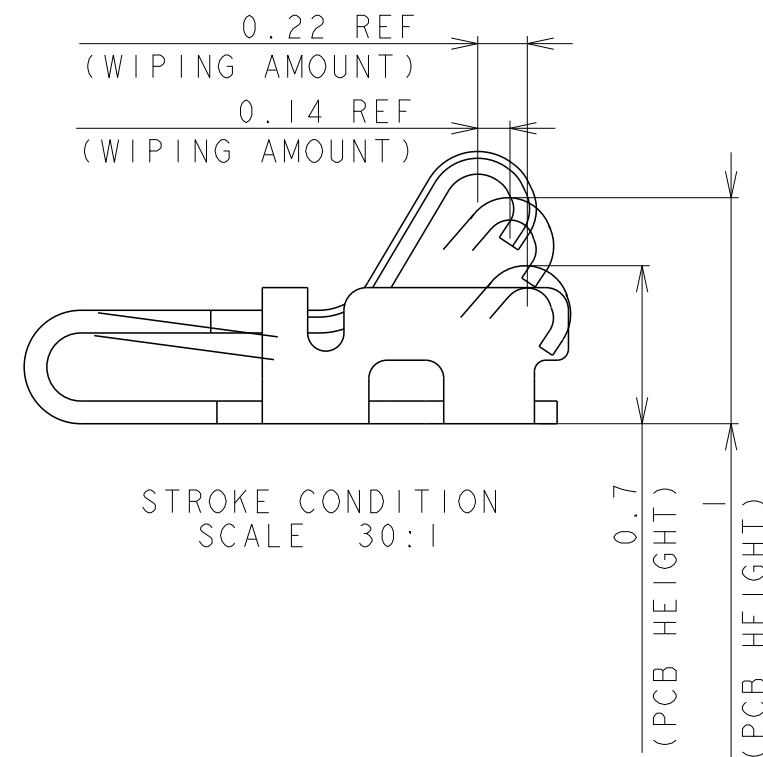
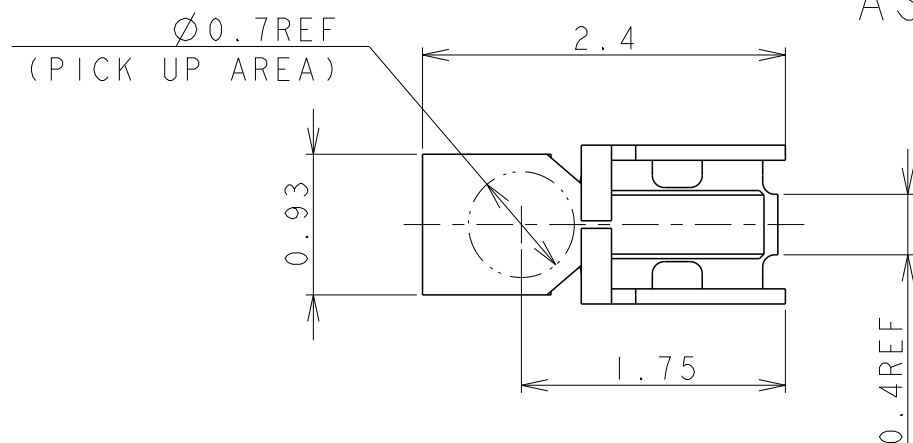


P	LTR	DESCRIPTION	DATE	DWN	APVD
	A3	RELEASED ECO-20-015683	05NOV2020	J. J	W. H

AS SHOWN : - 1



- △ FINISH (PLATING SPECIFICATION)
 Ni UNDER PLATING : 0.0008mm TO 0.002mm
 Au PLATING (CONTACT PLATING AREA) : 0.00025mm TO 0.0005mm
 Au PLATING (SOLDER AREA) : 0.00005mm TO 0.0005mm
- △ MATERIAL : COPPER ALLOY, THK.=0.1mm
- △ CUTTING BURR : 0.05mm MAX.
- 4 DISUSED PACKAGEING MATERIAL : DRYPACK AND BAKING PROCESS
- 5 PART NUMBER 2199001-1

THIS DRAWING IS A CONTROLLED DOCUMENT.

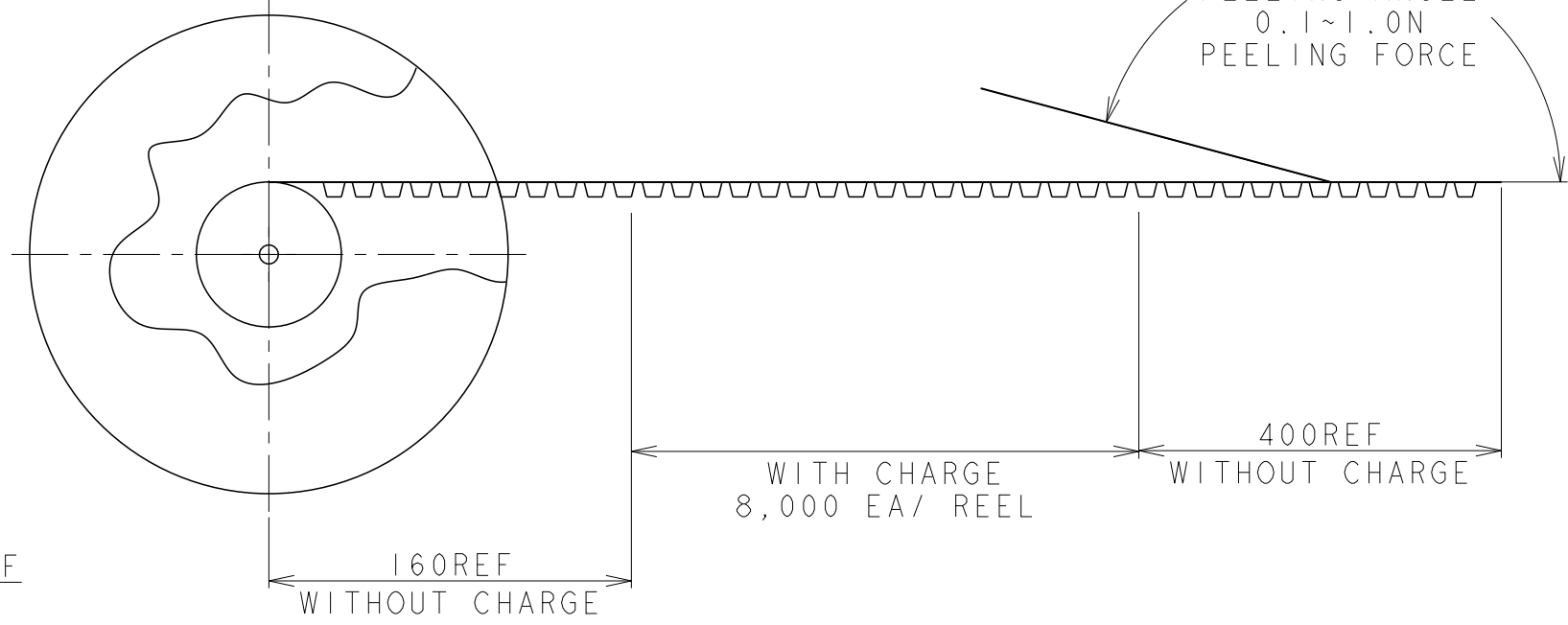
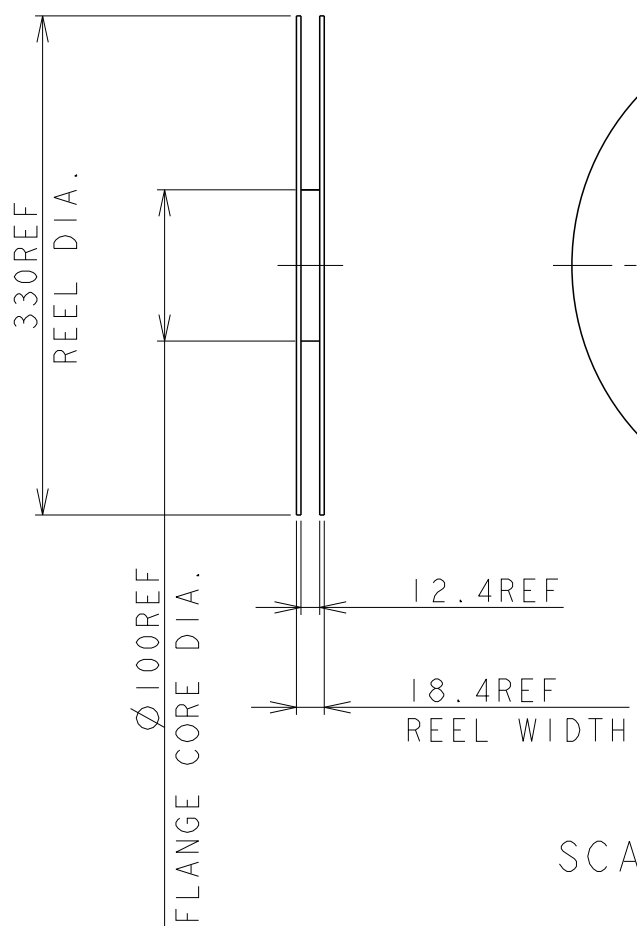
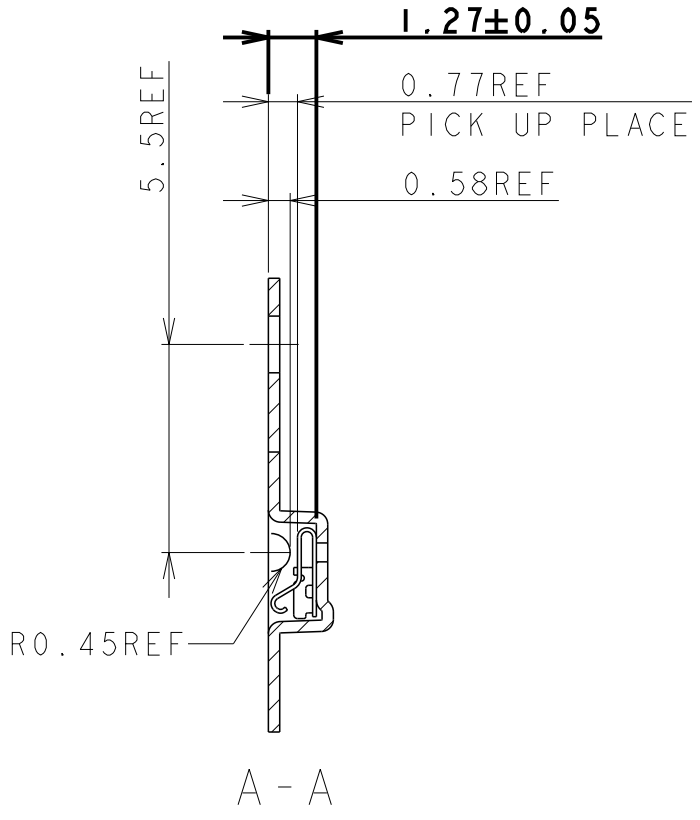
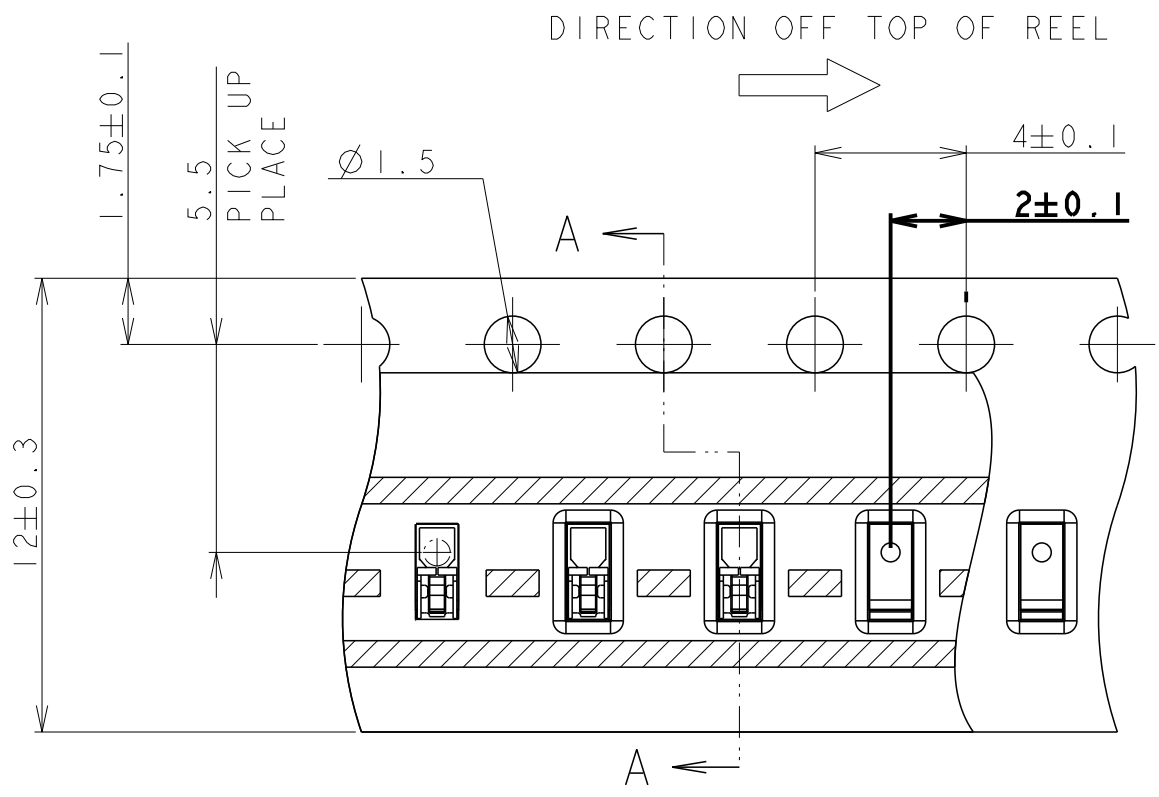
DIMENSIONS: mm	TOLERANCES UNLESS OTHERWISE SPECIFIED: ±0.15
	0 PLC ±
	1 PLC ±0.5
	2 PLC ±0.13
	3 PLC ±0.013
	4 PLC ±0.0001
	ANGLES ±3°
MATERIAL 2	FINISH 1

DWN	18JAN2012
CHK	Tony Zhang
CHK	Xiang Xu
APVD	18JAN2012
APVD	Steven Yao
PRODUCT SPEC	
APPLICATION SPEC	
WEIGHT	4.4 mg
CUSTOMER DRAWING	

TE Connectivity		NAME	
		SHIELD FINGER 1210	
SIZE	CAGE CODE	DRAWING NO	RESTRICTED TO
A3	00779	G-2199001	-
SCALE		SHEET	REV
1:1		1 OF 2	A3

THIS DRAWING IS UNPUBLISHED. RELEASED FOR PUBLICATION 20
 © COPYRIGHT 20 BY - ALL RIGHTS RESERVED.

LOC	DIST	REVISIONS			
P	LTR	DESCRIPTION	DATE	DWN	APVD
		SEE SHEET 1	-	-	-



SCALE 1:5

THIS DRAWING IS A CONTROLLED DOCUMENT.		DWN	-	 TE Connectivity	NAME
DIMENSIONS: mm		CHK	-		
TOLERANCES UNLESS OTHERWISE SPECIFIED: ± 0.2		APVD	-		
0 PLC \pm 1 PLC ± 0.5 2 PLC ± 0.13 3 PLC ± 0.013 4 PLC ± 0.0001 ANGLES $\pm 3^\circ$		PRODUCT SPEC	-		
MATERIAL		APPLICATION SPEC	-	SHIELD FINGER 1210	
FINISH		WEIGHT	4.4 mg	SIZE	A3
		CUSTOMER DRAWING		CAGE CODE	300779
				DRAWING NO	G-2199001
				RESTRICTED TO	-
				SCALE	5:1
				SHEET	2 OF 2
				REV	A3