

# TPS65265 Buck Converter Evaluation Module User's Guide



## ABSTRACT

This document presents the information required to operate the TPS65265 PMIC as well as the support documentation including schematic, printed-circuit board (PCB) layout, hardware setup, and bill of materials.

---

## Table of Contents

<b>1 Background</b> .....	2
<b>2 Schematic</b> .....	3
<b>3 Board Layout</b> .....	4
<b>4 Bench Test Setup Conditions</b> .....	7
4.1 Header Description and Jumper Placement.....	7
<b>5 Power-Up Procedure</b> .....	9
<b>6 Bill of Materials</b> .....	10
<b>7 Revision History</b> .....	10

## Trademarks

All trademarks are the property of their respective owners.

## 1 Background

The TPS65265 PMIC is a triple 5-A/3-A/2-A output current, synchronous step-down (buck) converter with an operational range of 4.5 to 17 V. The feedback voltage reference for each buck is 0.6 V. Each buck is independent with dedicated enable and loop compensation. The TPS65265 supports PSM mode and FCC mode.

As there are many possible options to set the converters, [Table 1-1](#) presents the performance specification summary for the EVM.

**Table 1-1. Summary of Performance**

Test Conditions	Performance
$V_{IN} = 4.5$ to 17 V	Buck1, 1.2 V, up to 5 A
$f_{sw} = 610$ kHz	Buck2, 1.5 V, up to 3 A
(25°C ambient)	Buck3, 1.8 V, up to 2 A

The evaluation module is designed to provide access to the features of the TPS65265. Some modifications can be made to this module to test performance at different input and output voltages, current and switching frequency. Please contact the TI Field Applications Group for advice on these matters.

## 2 Schematic

Figure 2-1 illustrates the TPS65265EVM-705 EVM schematic.

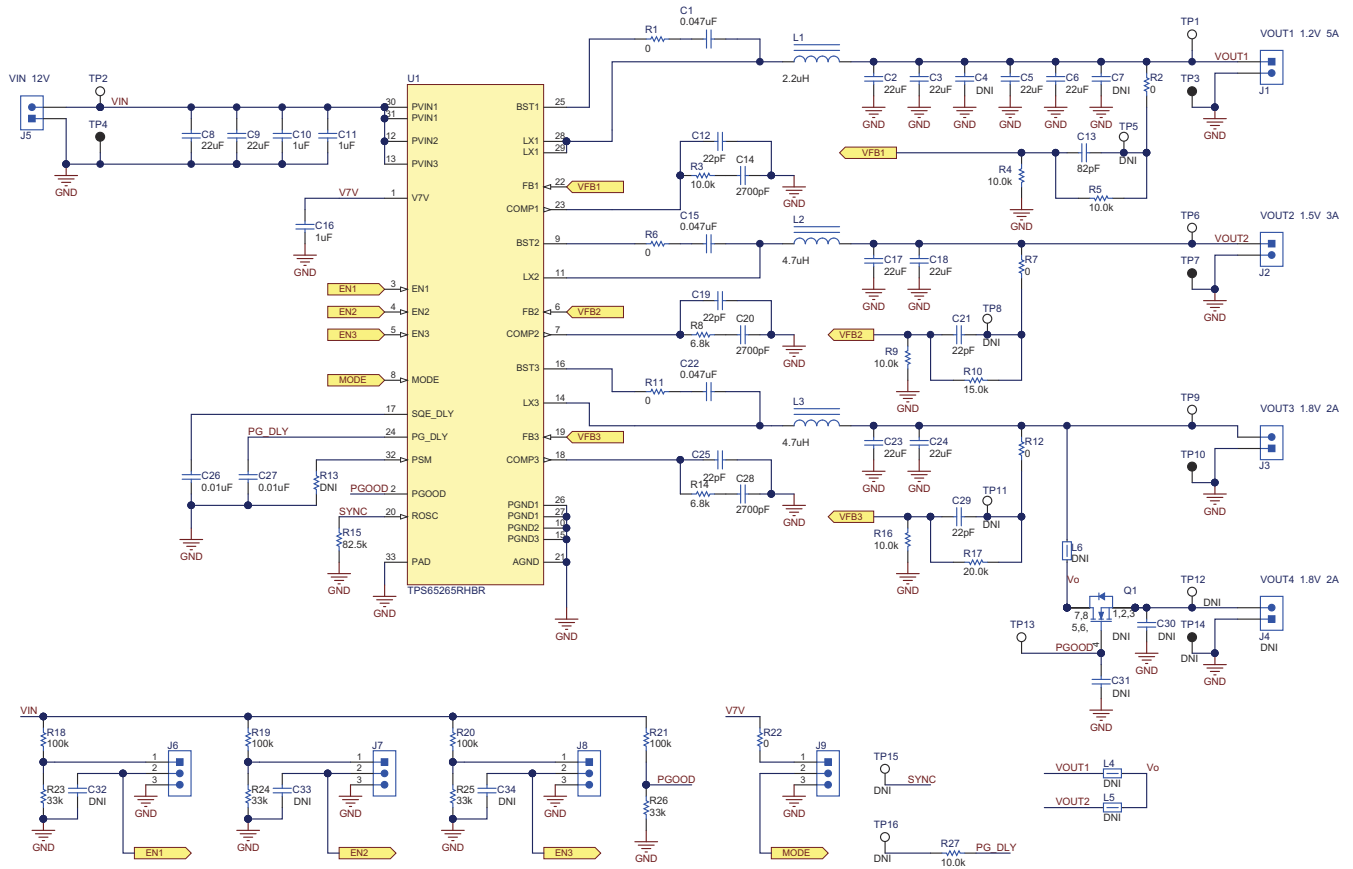


Figure 2-1. TPS65265EVM-705 Schematic

### 3 Board Layout

Figure 3-1 through Figure 3-5 illustrate the TPS65265EVM-705 PCB layout.

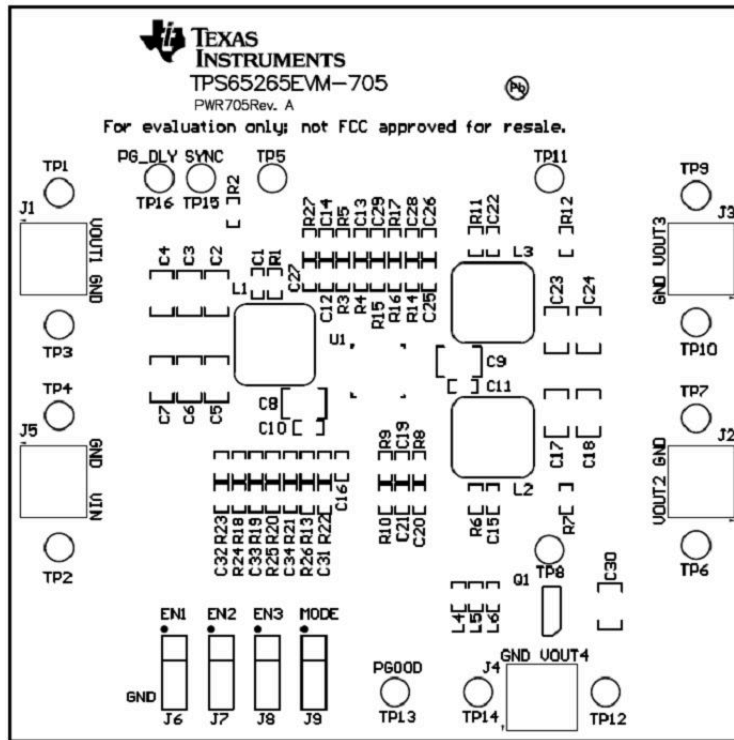


Figure 3-1. Component Placement (Top Layer)

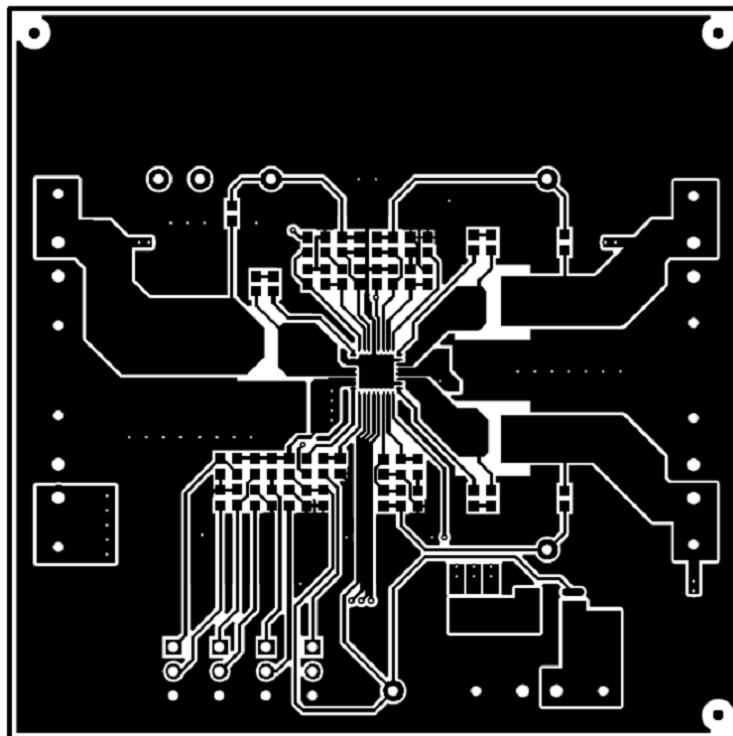


Figure 3-2. Board Layout (Top Layer)

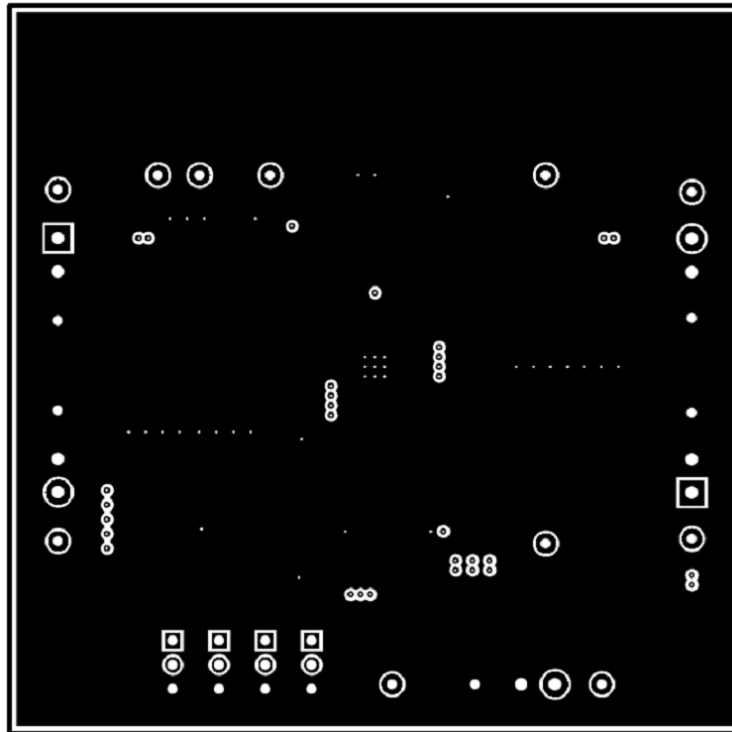


Figure 3-3. Board Layout (Second Layer)

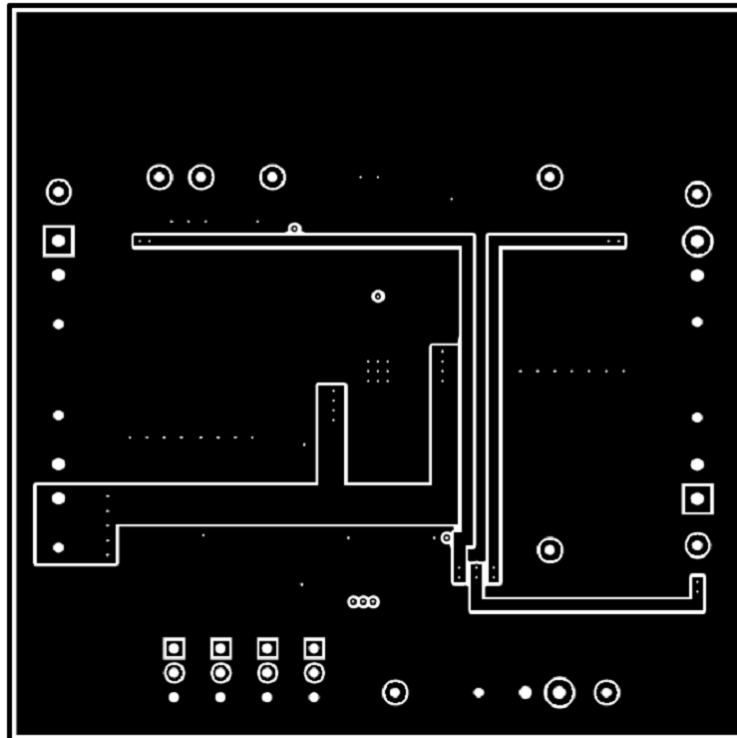
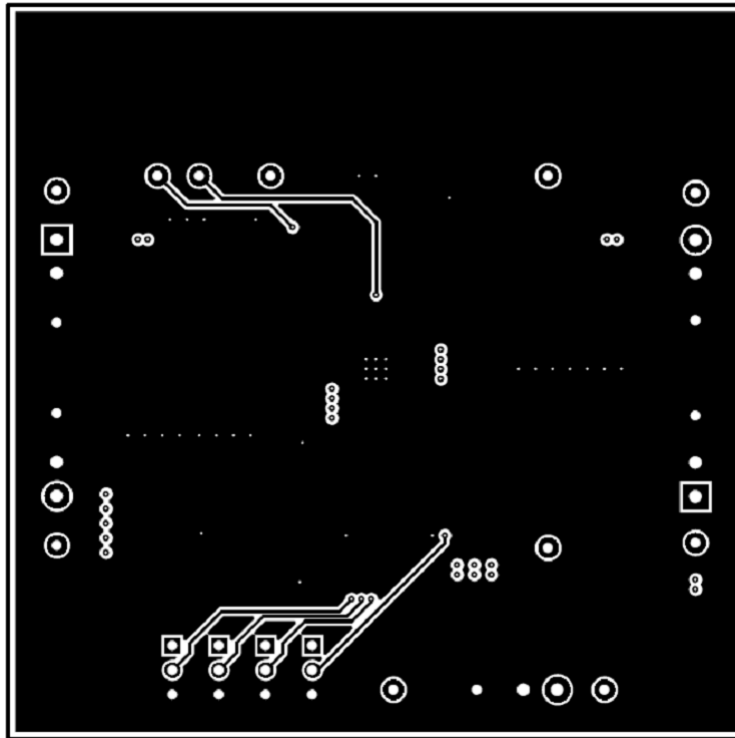


Figure 3-4. Board Layout (Third Layer)



**Figure 3-5. Board Layout (Bottom Layer)**

## 4 Bench Test Setup Conditions

### 4.1 Header Description and Jumper Placement

Figure 4-1 shows the jumper and pin placement on the TPS65265EVM-705 board.

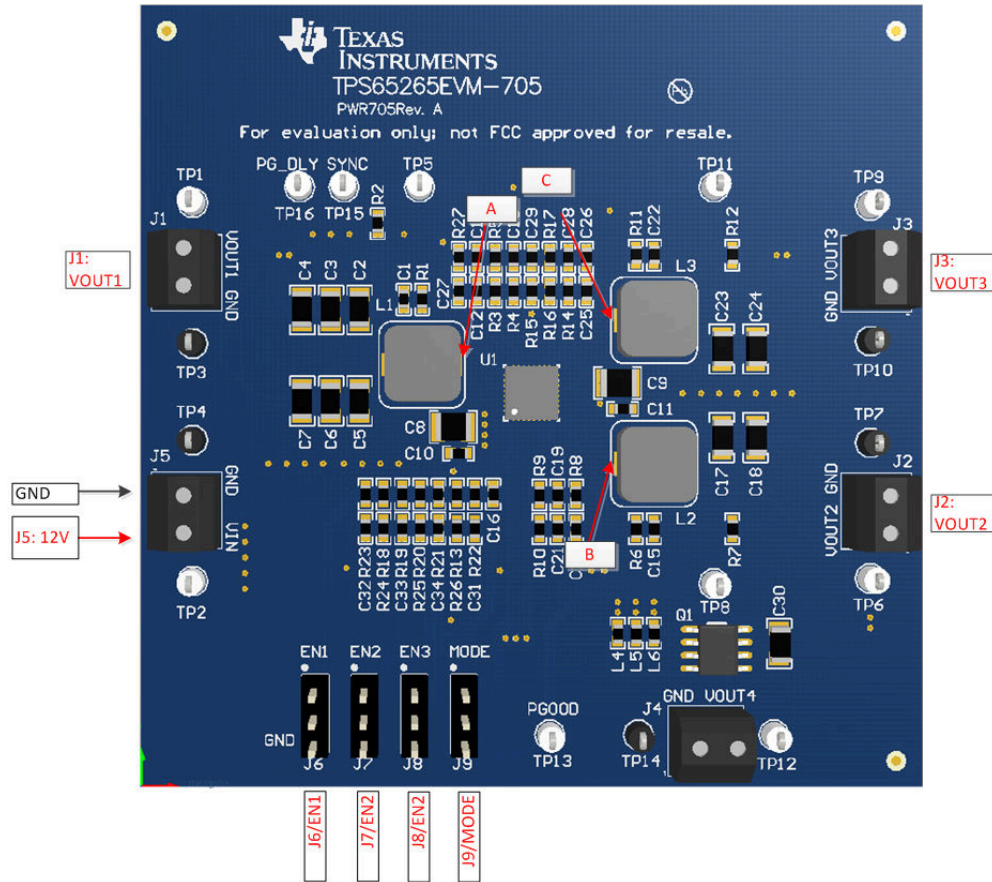


Figure 4-1. TPS65265EVM-705 Header Description and Jumper Placement

Test points:

1. LX of VOUT1
2. LX of VOUT2
3. LX of VOUT3

VOUT1, VOUT2, VOUT3, VIN, PGOOD, PG\_DLY, SYNC

Table 4-1. Input/Output Connection

#	Function	Description
J1	Buck1 Connector	Output of Buck1
J2	Buck2 Connector	Output of Buck2
J3	Buck3 Connector	Output of Buck3
J5	VIN Connector	Apply power supply to this connector

Table 4-2. Jumpers

#	Function	Placement	Comment
J6	Buck1 enable (EN1)	Connect EN1 to GND to disable VOUT1 Connect EN1 to HIGH or leave open to enable VOUT1	
J7	Buck2 enable (EN2)	Connect EN2 to GND to disable VOUT2 Connect EN2 to HIGH or leave open to enable VOUT2	

**Table 4-2. Jumpers (continued)**

#	Function	Placement	Comment
J8	Buck3 enable (EN3)	Connect EN3 to GND to disable VOUT3  Connect EN3 to HIGH or leave open to enable VOUT3	
J9	MODE	Power sequencing mode control pin.  Connect MODE pin to GND or HIGH, set the power sequence with pre-defined power up and power down sequence.  Leave open to set power up and down with dedicated enable pin.	



## 5 Power-Up Procedure

Power-up with dedicated enable pin:

1. Apply 4.5 V–17 V to J5
2. Toggle J6 , J7, or J8 to enable VOUT1, VOUT2, and VOUT3, respectively
3. Apply loads to the output connectors

Six bucks power sequence schemes with the pre-defined power up and power down sequence, shown in [Table 5-1](#).

1. Connect J9 to GND or high
2. Connect J6 to High(or Low), J7 to High(or Low)
3. Apply 4.5 V–18 V to J5
4. Toggle J8 to enable VOUT1, VOUT2, and VOUT3 (power up sequence shown in [Table 5-1](#))
5. Apply loads to the output connectors

**Table 5-1. Power Sequencing**

Mode	EN1	EN2	EN3	Start Sequencing	Shutdown Sequencing
Low	High	High	Used to start/stop bucks in sequence	buck1→buck2→buck3	Buck3→buck2→buck1
Low	Low	High		Buck2→buck1→buck3	Buck3→buck1→buck2
Low	High	Low		Buck2→buck3→buck1	Buck1→buck3→buck2
High	High	High		Buck1→buck3→buck2	Buck2→buck3→buck1
High	Low	High		Buck3→buck1→buck2	Buck2→buck1→buck3
High	High	Low		Buck3→buck2→buck1	Buck1→buck2→buck3
High/Low	Low	Low	Reserved	Reserved	Reserved

## 6 Bill of Materials

Table 6-1 lists the TPS65265EVM-705 BOM.

**Table 6-1. TPS65265EVM-705 Bill of Materials**

#	Value	Qty	Designator	Footprint	Manufacturer	Manufacturer Part Number	Description
1	47nF	3	C8, C9, C17	0603	Generic		CAP 47nF 50V CERAMIC X7R 0603
2	10nF	1	C7	0603	Generic		CAP 10nF 50V CERAMIC X7R 0603
3	3.3nF	1	C4	0603	Generic		CAP 3.3nF 50V CERAMIC X7R 0603
4	22uF	4	C10, C11, C12, C18	1206	Generic		CAP 22uF 16V CERAMIC X5R 1206
5	22pF	3	C2, C3, C5	0603	Generic		CAP 22pF 16V CERAMIC X7R 0603
6	82pF	1	C1	0603	Generic		CAP 82pF 50V CERAMIC X7R 0603
7	4.7uF	2	C19, C20	0603	Generic		CAP 4.7uF 50V CERAMIC X7R 0603
8	10uF	3	C13, C14, C15	1206	Generic		CAP 10uF 16V CERAMIC X5R 1206
9	1uF	3	C6, C16, C21	0603	Generic		CAP 1uF 50V CERAMIC X7R 0603
10	4.99K	1	R52	0603	Generic		RES 4.99k OHM 1/10W 1% 0603 SMD
11	36.5K	1	R51	0603	Generic		RES 36.5k OHM 1/10W 1% 0603 SMD
12	10K	1	R42	0603	Generic		RES 10k OHM 1/10W 1% 0603 SMD
13	31.6K	1	R41	0603	Generic		RES 31.6k OHM 1/10W 1% 0603 SMD
14	8.67K	1	R32	0603	Generic		RES 8.67 OHM 1/10W 1% 0603 SMD
15	19.6K	1	R22	0603	Generic		RES 19.6k OHM 1/10W 1% 0603 SMD
16	39K	2	R21, R31	0603	Generic		RES 39k OHM 1/10W 1% 0603 SMD
17	51K	1	R10	0603	Generic		RES 51k OHM 1/10W 1% 0603 SMD
18	100K	2	R8, R9	0603	Generic		RES 100k OHM 1/10W 1% 0603 SMD
19	0	6	R2, R3, R4, R5, R6, R7	0603	Generic		RES 0k OHM 1/10W 1% 0603 SMD
20	20K	3	R1, R11, R12	0603	Generic		RES 20k OHM 1/10W 1% 0603 SMD
21	4.7uH	3	L1, L2, L3	IND_744311470	Würth Electronics Inc	744311470	SMT power inductor
22 <sup>(1)</sup>	HEADER 3 PIN	6	JP1, JP2, JP3, JP4, JP5, JP6	JMP0.3	Mil-Max	800-10-064-10-001000	Three Pin Header, Break SIPs into groups of 3
23	ED500/2 DS	8	J1, J2, J3, J4, J5, J6, J7, J8	TB_2X5.0MM	OnShore Technology Inc	ED500/2DS	Terminal Block, 2-pin, 15-A, 5.0mm
24	Test Point White	9	TP1, TP2, TP3, TP4, TP5, TP6, TP8, TP9	TP	Keystone	5002	TEST POINT PC MINI .040"D WHITE
25	Test Point Black	6	TP10, TP11, TP12, TP13, TP14, TP15	TP	Keystone	5001	TEST POINT PC MINI .040"D BLACK
26		6					Jumper, 2.54mm, open top, Applied on item 22
27 <sup>(2)</sup>		4			3M	SJ-5303 (CLEAR)	BUMPON HEMISPHERE .44X.20 CLEAR
28		1	U1	RHB	Texas Instruments	TPS65262RHBR	

(1) Item 22: split into 3 pins

(2) Install item 27 on bottom at corners

## 7 Revision History

NOTE: Page numbers for previous revisions may differ from page numbers in the current version.

Changes from Revision * (December 2015) to Revision A (May 2021)	Page
• Updated user's guide title.....	2
• Updated the numbering format for tables, figures, and cross-references throughout the document. ....	2

## IMPORTANT NOTICE AND DISCLAIMER

TI PROVIDES TECHNICAL AND RELIABILITY DATA (INCLUDING DATA SHEETS), DESIGN RESOURCES (INCLUDING REFERENCE DESIGNS), APPLICATION OR OTHER DESIGN ADVICE, WEB TOOLS, SAFETY INFORMATION, AND OTHER RESOURCES "AS IS" AND WITH ALL FAULTS, AND DISCLAIMS ALL WARRANTIES, EXPRESS AND IMPLIED, INCLUDING WITHOUT LIMITATION ANY IMPLIED WARRANTIES OF MERCHANTABILITY, FITNESS FOR A PARTICULAR PURPOSE OR NON-INFRINGEMENT OF THIRD PARTY INTELLECTUAL PROPERTY RIGHTS.

These resources are intended for skilled developers designing with TI products. You are solely responsible for (1) selecting the appropriate TI products for your application, (2) designing, validating and testing your application, and (3) ensuring your application meets applicable standards, and any other safety, security, regulatory or other requirements.

These resources are subject to change without notice. TI grants you permission to use these resources only for development of an application that uses the TI products described in the resource. Other reproduction and display of these resources is prohibited. No license is granted to any other TI intellectual property right or to any third party intellectual property right. TI disclaims responsibility for, and you will fully indemnify TI and its representatives against, any claims, damages, costs, losses, and liabilities arising out of your use of these resources.

TI's products are provided subject to [TI's Terms of Sale](#) or other applicable terms available either on [ti.com](http://ti.com) or provided in conjunction with such TI products. TI's provision of these resources does not expand or otherwise alter TI's applicable warranties or warranty disclaimers for TI products.

TI objects to and rejects any additional or different terms you may have proposed.

Mailing Address: Texas Instruments, Post Office Box 655303, Dallas, Texas 75265  
Copyright © 2022, Texas Instruments Incorporated