

## TAS54x4C-Q1 Four-Channel Automotive Digital Amplifiers

### 1 Features

- AEC-Q100 Qualified for Automotive Applications
  - Device Temperature:  $-55^{\circ}\text{C}$  to  $125^{\circ}\text{C}$  Ambient
  - Device HBM Classification Level:  $\pm 2500\text{ V}$
  - Device CDM Classification Level:  $\pm 500\text{ V}$
- TAS5414C-Q1 – Single-Ended Input
- TAS5424C-Q1 – Differential Input
- Four-Channel Digital Power Amplifier
- Four Analog Inputs, Four BTL Power Outputs
- Typical Output Power at 10% THD+N
  - 28 W/Ch Into  $4\ \Omega$  at 14.4 V
  - 50 W/Ch Into  $2\ \Omega$  at 14.4 V
  - 79 W/Ch Into  $4\ \Omega$  at 24 V
  - 150 W/Ch Into  $2\ \Omega$  at 24 V (PBTL)
- Channels Can Be Paralleled (PBTL) for High-Current Applications
- THD+N < 0.02%, 1 kHz, 1 W Into  $4\ \Omega$
- Patented Pop- and Click-Reduction Technology
  - Soft Muting With Gain Ramp Control
  - Common-Mode Ramping
- Patented AM Interference Avoidance
- Patented Cycle-by-Cycle Current Limit
- 75-dB PSRR
- Four-Address I<sup>2</sup>C Serial Interface for Device Configuration and Control
- Channel Gains: 12-dB, 20-dB, 26-dB, 32-dB
- Load Diagnostic Functions:
  - Output Open and Shorted Load
  - Output-to-Power and -to-Ground Shorts
  - Patented Tweeter Detection
- Protection and Monitoring Functions:
  - Short-Circuit Protection
  - Load-Dump Protection to 50 V
  - Fortuitous Open-Ground and -Power Tolerant
  - Patented Output DC Level Detection While Music Playing
  - Overtemperature Protection
  - Over- and Undervoltage Conditions
  - Clip Detection
- 44-Pin PSOP3 (DKE) Power SOP Package With Heat Slug Up for TAS5424C-Q1
- 64-Pin QFP (PHD) Power Package With Heat Slug Up for TAS5414C-Q1
- Designed for Automotive EMC Requirements

- ISO9000:2002 TS16949 Certified
- $-40^{\circ}\text{C}$  to  $105^{\circ}\text{C}$  Ambient Temperature Range

### 2 Applications

OEM/Retail Head Units and Amplifier Modules Where Feature Densities and System Configurations Require Reduction in Heat From the Audio Power Amplifier

### 3 Description

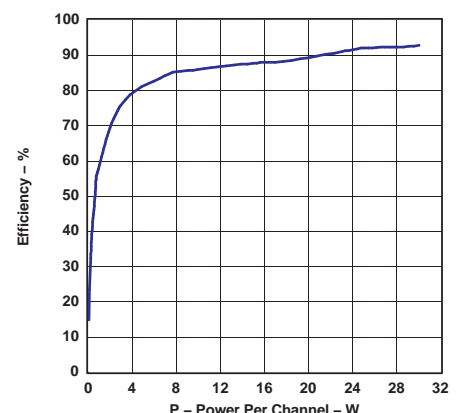
The TAS5414C-Q1 and TAS5424C-Q1 are four-channel digital audio amplifiers designed for use in automotive head units and external amplifier modules. They provide four channels at 23 W continuously into  $4\ \Omega$  at less than 1% THD+N from a 14.4-V supply. Each channel can also deliver 38 W into  $2\ \Omega$  at 1% THD+N. The TAS5414C-Q1 uses single-ended analog inputs, whereas the TAS5424C-Q1 employs differential inputs for increased immunity to common-mode system noise. The digital PWM topology of the device provides dramatic improvements in efficiency over traditional linear amplifier solutions. This reduces the power dissipated by the amplifier by a factor of ten under typical music playback conditions. The device incorporates all the functionality needed to perform in the demanding OEM applications area. The devices have built-in load diagnostic functions for detecting and diagnosing misconnected outputs to help to reduce test time during the manufacturing process.

#### Device Information<sup>(1)</sup>

PART NUMBER	PACKAGE	BODY SIZE (NOM)
TAS5414C-Q1	HTQFP (64)	14.00mm x 14.00mm
TAS5424C-Q1	HSSOP (44)	3.50mm x 15.90mm

(1) For all available packages, see the orderable addendum at the end of the datasheet.

#### Power vs Efficiency



G007



## Table of Contents

<b>1 Features</b> .....	<b>1</b>	7.6 Register Maps .....	<b>27</b>
<b>2 Applications</b> .....	<b>1</b>	<b>8 Application and Implementation</b> .....	<b>32</b>
<b>3 Description</b> .....	<b>1</b>	8.1 Application Information.....	<b>32</b>
<b>4 Revision History</b> .....	<b>2</b>	8.2 Typical Application .....	<b>32</b>
<b>5 Pin Configuration and Functions</b> .....	<b>4</b>	<b>9 Power Supply Recommendations</b> .....	<b>35</b>
<b>6 Specifications</b> .....	<b>6</b>	<b>10 Layout</b> .....	<b>36</b>
6.1 Absolute Maximum Ratings .....	<b>6</b>	10.1 Layout Guidelines .....	<b>36</b>
6.2 ESD Ratings .....	<b>6</b>	10.2 Layout Example .....	<b>36</b>
6.3 Recommended Operating Conditions .....	<b>7</b>	10.3 Thermal Consideration.....	<b>39</b>
6.4 Thermal Information .....	<b>7</b>	10.4 Electrical Connection of Heat Slug and Heat Sink .....	<b>40</b>
6.5 Electrical Characteristics.....	<b>8</b>	10.5 EMI Considerations.....	<b>40</b>
6.6 Timing Requirements for I <sup>2</sup> C Interface Signals.....	<b>11</b>	<b>11 Device and Documentation Support</b> .....	<b>41</b>
6.7 Typical Characteristics.....	<b>12</b>	11.1 Device Support.....	<b>41</b>
<b>7 Detailed Description</b> .....	<b>14</b>	11.2 Related Links .....	<b>41</b>
7.1 Overview .....	<b>14</b>	11.3 Trademarks .....	<b>41</b>
7.2 Functional Block Diagram .....	<b>14</b>	11.4 Electrostatic Discharge Caution.....	<b>41</b>
7.3 Feature Description.....	<b>15</b>	11.5 Glossary .....	<b>41</b>
7.4 Device Functional Modes.....	<b>21</b>	<b>12 Mechanical, Packaging, and Orderable Information</b> .....	<b>41</b>
7.5 Programming.....	<b>25</b>		

## 4 Revision History

NOTE: Page numbers for previous revisions may differ from page numbers in the current version.

Changes from Revision E (January 2015) to Revision F	Page
• Changed the AEXC-Q100 Qualified <i>Feature</i> to include temperature and ESD classifications .....	<b>1</b>
• Changed pin 33 From: CP_BOT To: CPC_BOT in the DKE package image .....	<b>4</b>
• Changed pin 40 From: CP_BOT To: CPC_BOT in the PHD package image .....	<b>4</b>

Changes from Revision D (September 2014) to Revision E	Page
• Deleted text from step 4 of the Hardware Controls Pins section - ".if, not a quick ramp-down...entering standby." .....	<b>20</b>
• Added the <a href="#">Programming</a> section for Read, Write information.....	<b>25</b>
• Added a NOTE to the Applications and Implementation section .....	<b>32</b>
• Added section title - Typical Application.....	<b>32</b>
• Changed Thermal Information To <a href="#">Thermal Consideration</a> and moved the section after <a href="#">Layout Example</a> .....	<b>39</b>

Changes from Revision C (July 2013) to Revision D	Page
• Added Handling Rating table, Feature Description section, Device Functional Modes, Application and Implementation section, Power Supply Recommendations section, Layout section, Device and Documentation Support section, and Mechanical, Packaging, and Orderable Information section.....	<b>1</b>
• Added the Device Information table .....	<b>1</b>
• Changed the Human body model (HBM) value From 3000 V To: ±2500 V .....	<b>6</b>
• Added the Design Requirements section .....	<b>33</b>
• Added the Application Curves .....	<b>35</b>
• Added the Layout section .....	<b>36</b>

**Changes from Revision B (April 2013) to Revision C****Page**

- Added the TAS5424C-Q1 device to the data sheet. .... 1
- 

**Changes from Revision A (January 2013) to Revision B****Page**

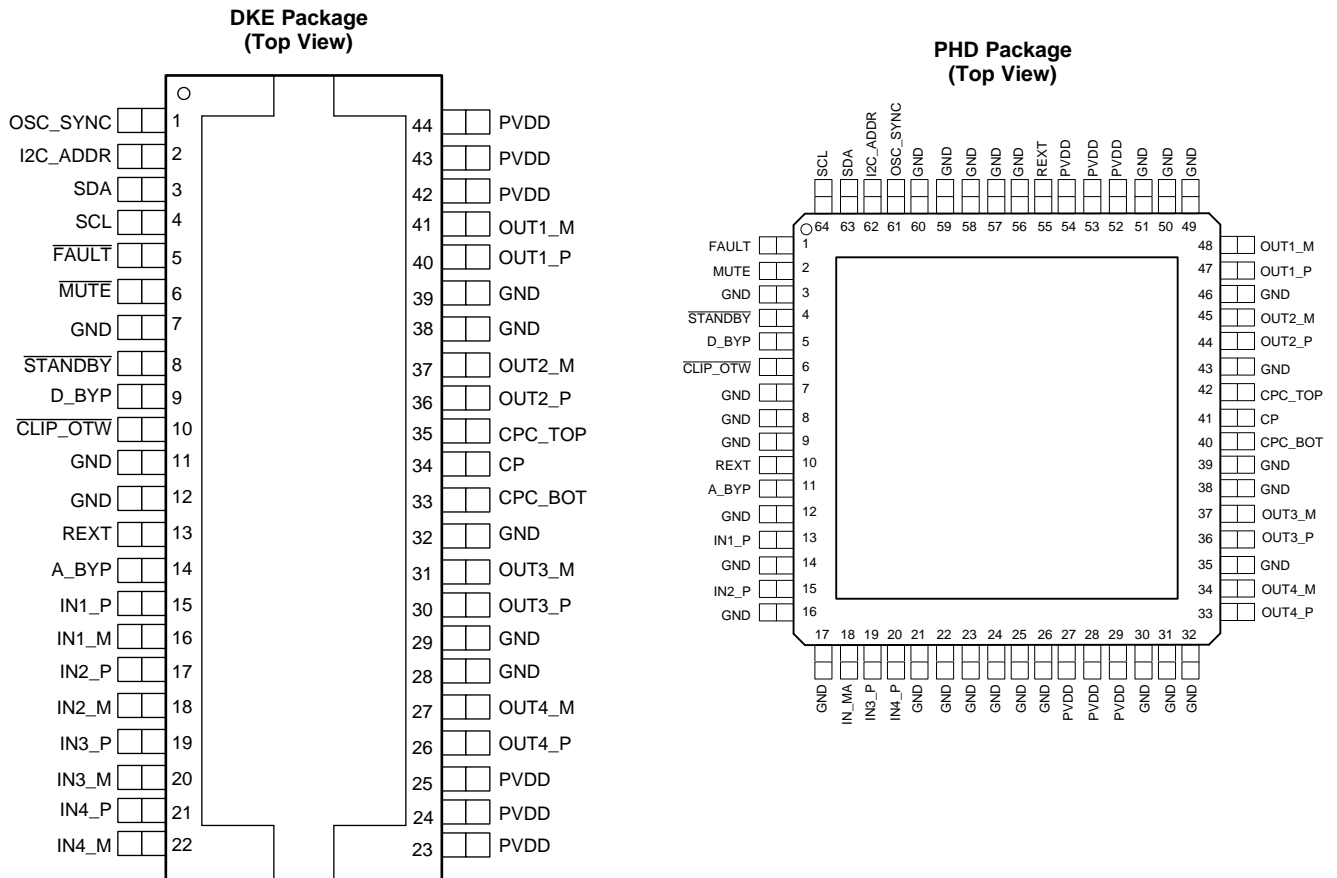
- Deleted the "Product Preview" banner ..... 1
- 

**Changes from Original (January 2013) to Revision A****Page**

- Deleted the 36-pin DKD package Features list item ..... 1
  - Deleted the 36 Pin DKD package..... 4
-

## 5 Pin Configuration and Functions

The pin assignments are shown as follows.



### Pin Functions

NAME	PIN		TYPE	DESCRIPTION
	DKE PACKAGE	PHD PACKAGE		
	TAS5424C-Q1 NO.	TAS5414C-Q1 NO.		
A_BYP	14	11	PBY	Bypass pin for the AVDD analog regulator
$\overline{\text{CLIP\_OTW}}$	10	6	DO	Reports CLIP, OTW, or both. It also reports tweeter detection during tweeter mode. Open-drain
CP	34	41	CP	Top of main storage capacitor for charge pump (bottom goes to PVDD)
CPC_BOT	33	40	CP	Bottom of flying capacitor for charge pump
CPC_TOP	35	42	CP	Top of flying capacitor for charge pump
D_BYP	9	5	PBY	Bypass pin for DVDD regulator output
$\overline{\text{FAULT}}$	5	1	DO	Global fault output (open drain): UV, OV, OTSD, OCSD, DC
GND	7, 11, 12, 28, 29, 32, 38, 39	3, 7, 8, 9, 12, 14, 16, 17, 21, 22, 23, 24, 25, 26, 30, 31, 32, 35, 38, 39, 43, 46, 49, 50, 51, 55, 56, 57, 58, 59, 60	GND	Ground
I2C_ADDR	2	62	AI	I <sup>2</sup> C address bit
IN1_M	16	N/A	AI	Inverting analog input for channel 1 (TAS5424C-Q1 only)
IN1_P	15	13	AI	Non-inverting analog input for channel 1
IN2_M	18	N/A	AI	Inverting analog input for channel 2 (TAS5424C-Q1 only)
IN2_P	17	15	AI	Non-inverting analog input for channel 2
IN3_M	20	N/A	AI	Inverting analog input for channel 3 (TAS5424C-Q1 only)
IN3_P	19	19	AI	Non-inverting analog input for channel 3
IN4_M	22	N/A	AI	Inverting analog input for channel 4 (TAS5424C-Q1 only)
IN4_P	21	20	AI	Non-inverting analog input for channel 4
IN_M	N/A	18	ARTN	Signal return for the four analog channel inputs (TAS5414C-Q1 only)
$\overline{\text{MUTE}}$	6	2	AI	Gain ramp control: mute (low), play (high)
OSC_SYNC	1	61	DI/DO	Oscillator input from master or output to slave amplifiers
OUT1_M	41	48	PO	– polarity output for bridge 1
OUT1_P	40	47	PO	+ polarity output for bridge 1
OUT2_M	37	45	PO	– polarity output for bridge 2
OUT2_P	36	44	PO	+ polarity output for bridge 2
OUT3_M	31	37	PO	– polarity output for bridge 3
OUT3_P	30	36	PO	+ polarity output for bridge 3
OUT4_M	27	34	PO	– polarity output for bridge 4
OUT4_P	26	33	PO	+ polarity output for bridge 4
PVDD	23, 24, 25, 42, 43, 44	27, 28, 29, 52, 53, 54	PWR	PVDD supply
REXT	13	10	AI	Precision resistor pin to set analog reference
SCL	4	64	DI	I <sup>2</sup> C clock input from system I <sup>2</sup> C master
SDA	3	63	DI/DO	I <sup>2</sup> C data I/O for communication with system I <sup>2</sup> C master
$\overline{\text{STANDBY}}$	8	4	DI	Active-low STANDBY pin. Standby (low), power up (high)

## 6 Specifications

### 6.1 Absolute Maximum Ratings

over operating free-air temperature range (unless otherwise noted)

			VALUE		UNIT
			MIN	MAX	
PVDD	DC supply voltage range	Relative to GND	-0.3	30	V
PVDD <sub>MAX</sub>	Pulsed supply voltage range	t ≤ 100 ms exposure	-1	50	V
PVDD <sub>RAMP</sub>	Supply voltage ramp rate			15	V/ms
I <sub>PVDD</sub>	Externally imposed dc supply current per PVDD or GND pin			±12	A
I <sub>PVDD_MAX</sub>	Pulsed supply current per PVDD pin (one shot)	t < 100 ms		17	A
I <sub>O</sub>	Maximum allowed dc current per output pin			±13.5	A
I <sub>O_MAX</sub> <sup>(1)</sup>	Pulsed output current per output pin (single pulse)	t < 100 ms		±17	A
I <sub>IN_MAX</sub>	Maximum current, all digital and analog input pins <sup>(2)</sup>	DC or pulsed		±1	mA
I <sub>MUTE_MAX</sub>	Maximum current on $\overline{\text{MUTE}}$ pin	DC or pulsed		±20	mA
I <sub>IN_ODMAX</sub>	Maximum sink current for open-drain pins			7	mA
V <sub>LOGIC</sub>	Input voltage range for pin relative to GND (SCL, SDA, I2C_ADDR pins)	Supply voltage range: 6V < PVDD < 24 V	-0.3	6	V
V <sub>MUTE</sub>	Voltage range for $\overline{\text{MUTE}}$ pin relative to GND	Supply voltage range: 6 V < PVDD < 24 V	-0.3	7.5	V
V <sub>STANDBY</sub>	Input voltage range for $\overline{\text{STANDBY}}$ pin	Supply voltage range: 6 V < PVDD < 24 V	-0.3	5.5	V
V <sub>OSC_SYNC</sub>	Input voltage range for OSC_SYNC pin relative to GND	Supply voltage range: 6 V < PVDD < 24 V	-0.3	3.6	V
V <sub>GND</sub>	Maximum voltage between GND pins			±0.3	V
V <sub>AIN_AC_MAX_5414</sub>	Maximum ac-coupled input voltage for TAS5414C-Q1 <sup>(2)</sup> , analog input pins	Supply voltage range: 6 V < PVDD < 24 V		1.9	V <sub>rms</sub>
V <sub>AIN_AC_MAX_5424</sub>	Maximum ac-coupled differential input voltage for TAS5424C-Q1 <sup>(2)</sup> , analog input pins	Supply voltage range: 6 V < PVDD < 24 V		3.8	V <sub>rms</sub>
T <sub>J</sub>	Maximum operating junction temperature range		-55	150	°C
T <sub>stg</sub>	Storage temperature		-55	150	°C

- (1) Pulsed current ratings are maximum survivable currents externally applied to the device. The device may encounter high currents during reverse-battery, fortuitous open-ground, and fortuitous open-supply fault conditions.
- (2) See the [Application Information](#) section for information on analog input voltage and ac coupling.

### 6.2 ESD Ratings

			VALUE	UNIT	
V <sub>(ESD)</sub>	Electrostatic discharge	Human body model (HBM), per AEC Q100-002 <sup>(1)</sup>	±2500	V	
		Charged device model (CDM), per AEC Q100-011 DKE Package	Corner pins excluding OSC_SYNC	±1000	V
			All other pins (including OSC_SYNC) except CP pin	±500	
			CP pin (Non-Corner Pin)	±400	
		Charged device model (CDM), per AEC Q100-011 PHD Package	Corner pins excluding SCL	±750	V
			All pins (including SCL) except CP and CP_Top	±600	
CP and CP_Top pins	±400				

- (1) AEC Q100-002 indicates HBM stressing is done in accordance with the ANSI/ESDA/JEDEC JS-001 specification.

### 6.3 Recommended Operating Conditions<sup>(1)</sup>

			MIN	TYP	MAX	UNIT
PVDD <sub>OP</sub>	DC supply voltage range relative to GND		6	14.4	24	V
V <sub>AIN_5414</sub> <sup>(2)</sup>	Analog audio input signal level (TAS5414C-Q1)	AC-coupled input voltage	0		0.25–1 <sup>(3)</sup>	Vrms
V <sub>AIN_5424</sub> <sup>(2)</sup>	Analog audio input signal level (TAS5424C-Q1)	AC-coupled input voltage	0		0.5–2 <sup>(3)</sup>	Vrms
T <sub>A</sub>	Ambient temperature		–40		105	°C
T <sub>J</sub>	Junction temperature	An adequate heat sink is required to keep T <sub>J</sub> within specified range.	–40		115	°C
R <sub>L</sub>	Nominal speaker load impedance		2	4		Ω
V <sub>PU</sub>	Pullup voltage supply (for open-drain logic outputs)		3	3.3 or 5	5.5	V
R <sub>PU_EXT</sub>	External pullup resistor on open-drain logic outputs	Resistor connected between open-drain logic output and V <sub>PU</sub> supply	10		50	kΩ
R <sub>PU_I2C</sub>	I <sup>2</sup> C pullup resistance on SDA and SCL pins		1	4.7	10	kΩ
R <sub>I2C_ADD</sub>	Total resistance of voltage divider for I <sup>2</sup> C address slave 1 or slave 2, connected between D_BYP and GND pins		10		50	kΩ
R <sub>REXT</sub>	External resistance on REXT pin	1% tolerance required	19.8	20	20.2	kΩ
C <sub>D_BYP</sub> , C <sub>A_BYP</sub>	External capacitance on D_BYP and A_BYP pins		10		120	nF
C <sub>OUT</sub>	External capacitance to GND on OUT_X pins			150	680	nF
C <sub>IN</sub>	External capacitance to analog input pin in series with input signal			0.47		μF
C <sub>FLY</sub>	Flying capacitor on charge pump		0.47	1	1.5	μF
C <sub>P</sub>	Charge pump capacitor	50V needed for Load Dump	0.47	1	1.5	μF
C <sub>MUTE</sub>	MUTE pin capacitor		100	220	1000	nF
C <sub>OSCSYNC_MAX</sub>	Allowed loading capacitance on OSC_SYNC pin			75		pF

- (1) The *Recommended Operating Conditions* table specifies only that the device is functional in the given range. See the *Electrical Characteristics* table for specified performance limits.
- (2) Signal input for full unclipped output with gains of 32 dB, 26 dB, 20 dB, and 12 dB
- (3) Maximum recommended input voltage is determined by the gain setting.

### 6.4 Thermal Information

PARAMETER		VALUE (Typical)	UNIT
R <sub>θJC</sub>	Junction-to-case (heat slug) thermal resistance, DKE package	1	°C/W
R <sub>θJC</sub>	Junction-to-case (heat slug) thermal resistance, PHD package	1.2	
R <sub>θJA</sub>	Junction-to-ambient thermal resistance	This device is not intended to be used without a heatsink. Therefore, R <sub>θJA</sub> is not specified. Refer to the <a href="#">Thermal Information</a> section.	
	Exposed pad dimensions, DKE package	13.8 × 5.8	mm
	Exposed pad dimensions, PHD package	8 × 8	

## 6.5 Electrical Characteristics

Test conditions (unless otherwise noted):  $T_{Case} = 25^{\circ}C$ ,  $PVDD = 14.4 V$ ,  $R_L = 4 \Omega$ ,  $f_S = 417 kHz$ ,  $P_{out} = 1 W/ch$ ,  $R_{ext} = 20 k\Omega$ , AES17 filter, default I<sup>2</sup>C settings, master-mode operation (see [Figure 21](#))

PARAMETER		TEST CONDITIONS	MIN	TYP	MAX	UNIT	
<b>OPERATING CURRENT</b>							
$I_{PVDD\_IDLE}$	PVDD idle current	All four channels in MUTE mode		170	220	mA	
$I_{PVDD\_HI-Z}$		All four channels in Hi-Z mode		93			
$I_{PVDD\_STBY}$	PVDD standby current	STANDBY mode, $T_J \leq 85^{\circ}C$		2	10	$\mu A$	
<b>OUTPUT POWER</b>							
$P_{OUT}$	Output power per channel	4 $\Omega$ , PVDD = 14.4 V, THD+N $\leq 1\%$ , 1 kHz, $T_c = 75^{\circ}C$		23		W	
		4 $\Omega$ , PVDD = 14.4 V, THD+N = 10%, 1 kHz, $T_c = 75^{\circ}C$		25	28		
		4 $\Omega$ , PVDD = 24 V, THD+N = 10%, 1 kHz, $T_c = 75^{\circ}C$		63	79		
		2 $\Omega$ , PVDD = 14.4 V, THD+N = 1%, 1 kHz, $T_c = 75^{\circ}C$			38		
		2 $\Omega$ , PVDD = 14.4 V, THD+N = 10%, 1 kHz, $T_c = 75^{\circ}C$		40	50		
		PBTL 2- $\Omega$ operation, PVDD = 24 V, THD+N = 10%, 1 kHz, $T_c = 75^{\circ}C$			150		
		PBTL 1- $\Omega$ operation, PVDD = 14.4 V, THD+N = 10%, 1 kHz, $T_c = 75^{\circ}C$			90		
$EFF_P$	Power efficiency	4 channels operating, 23-W output power/ch, $L = 10 \mu H$ , $T_J \leq 85^{\circ}C$		90%			
<b>AUDIO PERFORMANCE</b>							
$V_{NOISE}$	Noise voltage at output	Zero input, and A-weighting		60	100	$\mu V$	
	Channel crosstalk	$P = 1 W$ , $f = 1 kHz$ , enhanced crosstalk enabled via I <sup>2</sup> C (reg. 0x10)	70	85		dB	
$CMRR_{5424}$	Common-mode rejection ratio (TAS5424C-Q1)	$f = 1 kHz$ , 1 Vrms referenced to GND, $G = 26 dB$	60	75		dB	
$PSRR$	Power-supply rejection ratio	PVDD = 14.4 Vdc + 1 Vrms, $f = 1 kHz$	60	75		dB	
$THD+N$	Total harmonic distortion + noise	$P = 1 W$ , $f = 1 kHz$		0.02%	0.1%		
$f_S$	Switching frequency	Switching frequency selectable for AM interference avoidance		336	357	378	kHz
				392	417	442	
				470	500	530	
$R_{AIN}$	Analog input resistance	Internal shunt resistance on each input pin	63	85	106	k $\Omega$	
$V_{IN\_CM}$	Common-mode input voltage	AC-coupled common-mode input voltage (zero differential input)		1.3		Vrms	
$V_{CM\_INT}$	Internal common-mode input bias voltage	Internal bias applied to IN_M pin		3.3		V	
$G$	Voltage gain ( $V_O/V_{IN}$ )	Source impedance = 0 $\Omega$ , gain measurement taken at 1 W of power per channel		11	12	13	dB
				19	20	21	
				25	26	27	
				31	32	33	
$G_{CH}$	Channel-to-channel variation	Any gain commanded	-1	0	1	dB	
<b>PWM OUTPUT STAGE</b>							
$R_{DS(on)}$	FET drain-to-source resistance	Not including bond wire resistance, $T_J = 25^{\circ}C$		65	90	m $\Omega$	
$V_{O\_OFFSET}$	Output offset voltage	Zero input signal, $G = 26 dB$		$\pm 10$	$\pm 50$	mV	
<b>PVDD OVERVOLTAGE (OV) PROTECTION</b>							
$V_{OV\_SET}$	PVDD overvoltage shutdown set		24.6	26.4	28.2	V	
$V_{OV\_CLEAR}$	PVDD overvoltage shutdown clear		24.4	25.9	27.4	V	
<b>PVDD UNDERVOLTAGE (UV) PROTECTION</b>							
$V_{UV\_SET}$	PVDD undervoltage shutdown set		4.9	5.3	5.6	V	
$V_{UV\_CLEAR}$	PVDD undervoltage shutdown clear		6.2	6.6	7	V	
<b>AVDD</b>							
$V_{A\_BYP}$	A_BYP pin voltage			6.5		V	
$V_{A\_BYP\_UV\_SET}$	A_BYP UV voltage			4.8		V	
$V_{A\_BYP\_UV\_CLEAR}$	Recovery voltage A_BYP UV			5.3		V	
<b>DVDD</b>							
$V_{D\_BYP}$	D_BYP pin voltage			3.3		V	



## Electrical Characteristics (continued)

Test conditions (unless otherwise noted):  $T_{Case} = 25^{\circ}C$ ,  $PVDD = 14.4 V$ ,  $R_L = 4 \Omega$ ,  $f_S = 417 kHz$ ,  $P_{out} = 1 W/ch$ ,  $R_{ext} = 20 k\Omega$ , AES17 filter, default I<sup>2</sup>C settings, master-mode operation (see [Figure 21](#))

PARAMETER		TEST CONDITIONS	MIN	TYP	MAX	UNIT
<b>POWER-ON RESET (POR)</b>						
V <sub>POR</sub>	PVDD voltage for POR	I <sup>2</sup> C active above this voltage			4	V
V <sub>POR_HY</sub>	PVDD recovery hysteresis voltage for POR			0.1		V
<b>REXT</b>						
V <sub>REXT</sub>	Rext pin voltage			1.27		V
<b>CHARGE PUMP (CP)</b>						
V <sub>CPUV_SET</sub>	CP undervoltage			4.8		V
V <sub>CPUV_CLEAR</sub>	Recovery voltage for CP UV			4.9		V
<b>OVERTEMPERATURE (OT) PROTECTION</b>						
T <sub>OTW1_CLEAR</sub>	Junction temperature for overtemperature warning		96	112	128	°C
T <sub>OTW1_SET</sub> / T <sub>OTW2_CLEAR</sub>			106	122	138	°C
T <sub>OTW2_SET</sub> / T <sub>OTW3_CLEAR</sub>			116	132	148	°C
T <sub>OTW3_SET</sub> / T <sub>OTSD_CLEAR</sub>			126	142	158	°C
T <sub>OTSD</sub>	Junction temperature for overtemperature shutdown		136	152	168	°C
T <sub>FB</sub>	Junction temperature for overtemperature foldback	Per channel	130	150	170	°C
<b>CURRENT LIMITING PROTECTION</b>						
I <sub>LIM</sub>	Current limit (load current)	Level 1	5.5	7.3	9	A
		Level 2 (default)	10.6	12.7	15	
<b>OVERCURRENT (OC) SHUTDOWN PROTECTION</b>						
I <sub>MAX</sub>	Maximum current (peak output current)	Level 1	7.8	9.8	12.2	A
		Level 2 (default), Any short to supply, ground, or other channels	11.9	14.8	17.7	
<b>TWEETER DETECT</b>						
I <sub>TH_TW</sub>	Load-current threshold for tweeter detect		330	445	560	mA
I <sub>LIM_TW</sub>	Load-current limit for tweeter detect			2.1		A
<b>STANDBY MODE</b>						
V <sub>IH</sub>	$\overline{STANDBY}$ input voltage for logic-level high		2			V
V <sub>IL</sub>	$\overline{STANDBY}$ input voltage for logic-level low				0.7	V
I <sub>STBY</sub>	$\overline{STANDBY}$ pin current			0.1	0.2	μA
<b>MUTE MODE</b>						
G <sub>MUTE</sub>	Output attenuation	$\overline{MUTE}$ pin $\leq 0.5 V$ for 200ms or I <sup>2</sup> C Mute Enabled		100		dB
<b>DC DETECT</b>						
V <sub>TH_DC_TOL</sub>	DC detect threshold tolerance			25%		
t <sub>bCD</sub>	DC detect step-response time for four channels				5.3	s
<b>CLIP_OTW REPORT</b>						
V <sub>OH_CLIPOTW</sub>	$\overline{CLIP\_OTW}$ pin output voltage for logic level high (open-drain logic output)	External 47-kΩ pullup resistor to 3 V–5.5 V		2.4		V
V <sub>OL_CLIPOTW</sub>	$\overline{CLIP\_OTW}$ pin output voltage for logic level low (open-drain logic output)				0.5	V
t <sub>DELAY_CLIPDET</sub>	$\overline{CLIP\_OTW}$ signal delay when output clipping detected				20	μs
<b>FAULT REPORT</b>						
V <sub>OH_FAULT</sub>	$\overline{FAULT}$ pin output voltage for logic-level high (open-drain logic output)	External 47-kΩ pullup resistor to 3 V–5.5 V		2.4		V
V <sub>OL_FAULT</sub>	$\overline{FAULT}$ pin output voltage for logic-level low (open-drain logic output)				0.5	

## Electrical Characteristics (continued)

Test conditions (unless otherwise noted):  $T_{Case} = 25^{\circ}C$ ,  $PVDD = 14.4 V$ ,  $R_L = 4 \Omega$ ,  $f_S = 417 kHz$ ,  $P_{out} = 1 W/ch$ ,  $R_{ext} = 20 k\Omega$ , AES17 filter, default I<sup>2</sup>C settings, master-mode operation (see [Figure 21](#))

PARAMETER		TEST CONDITIONS	MIN	TYP	MAX	UNIT
<b>OPEN, SHORT DIAGNOSTICS</b>						
$R_{S2P}$ , $R_{S2G}$	Maximum resistance to detect a short from OUT pin(s) to PVDD or ground				200	$\Omega$
$R_{OPEN\_LOAD}$	Minimum load resistance to detect open circuit	Including speaker wires	300	740	1300	$\Omega$
$R_{SHORTED\_LOAD}$	Maximum load resistance to detect short circuit	Including speaker wires	0.5	1	1.5	$\Omega$
<b>I<sup>2</sup>C ADDRESS DECODER</b>						
$t_{LATCH\_I2CADDR}$	Time delay to latch I <sup>2</sup> C address after POR			300		$\mu s$
$V_{I2C\_ADDR}$	Voltage on I2C_ADDR pin for address 0	Connect to GND	0%	0%	15%	$V_{D\_BYP}$
	Voltage on I2C_ADDR pin for address 1	External resistors in series between D_BYP and GND as a voltage divider	25%	35%	45%	
	Voltage on I2C_ADDR pin for address 2		55%	65%	75%	
	Voltage on I2C_ADDR pin for address 3	Connect to D_BYP	85%	100%	100%	
<b>I<sup>2</sup>C</b>						
$t_{HOLD\_I2C}$	Power-on hold time before I <sup>2</sup> C communication	$\overline{STANDBY}$ high		1		ms
$f_{SCL}$	SCL clock frequency				400	kHz
$V_{IH}$	SCL pin input voltage for logic-level high	$R_{PU\_I2C} = 5\text{-k}\Omega$ pullup, supply voltage = 3.3 V or 5 V	2.1		5.5	V
$V_{IL}$	SCL pin input voltage for logic-level low		-0.5		1.1	V
$V_{OH}$	SDA pin output voltage for logic-level high	I <sup>2</sup> C read, $R_{I2C} = 5\text{-k}\Omega$ pullup, supply voltage = 3.3 V or 5 V	2.4			V
$V_O$	SDA pin output voltage for logic-level low	I <sup>2</sup> C read, 3-mA sink current			0.4	V
$V_{IH}$	SDA pin input voltage for logic-level high	I <sup>2</sup> C write, $R_{I2C} = 5\text{-k}\Omega$ pullup, supply voltage = 3.3 V or 5 V	2.1		5.5	V
$V_{IL}$	SDA pin input voltage for logic-level low	I <sup>2</sup> C write, $R_{I2C} = 5\text{-k}\Omega$ pullup, supply voltage = 3.3 V or 5 V	-0.5		1.1	V
$C_I$	Capacitance for SCL and SDA pins				10	pF
<b>OSCILLATOR</b>						
$V_{OH}$	OSC_SYNC pin output voltage for logic-level high	I2C_ADDR pin set to MASTER mode	2.4			V
$V_{OL}$	OSC_SYNC pin output voltage for logic-level low				0.5	V
$V_{IH}$	OSC_SYNC pin input voltage for logic-level high	I2C_ADDR pin set to SLAVE mode	2			V
$V_{IL}$	OSC_SYNC pin input voltage for logic-level low				0.8	V
$f_{OSC\_SYNC}$	OSC_SYNC pin clock frequency	I2C_ADDR pin set to MASTER mode, $f_S = 500 kHz$	3.76	4	4.24	MHz
		I2C_ADDR pin set to MASTER mode, $f_S = 417 kHz$	3.13	3.33	3.63	
		I2C_ADDR pin set to MASTER mode, $f_S = 357 kHz$	2.68	2.85	3.0	

## 6.6 Timing Requirements for I<sup>2</sup>C Interface Signals

over recommended operating conditions (unless otherwise noted)

		MIN	TYP	MAX	UNIT
$t_r$	Rise time for both SDA and SCL signals			300	ns
$t_f$	Fall time for both SDA and SCL signals			300	ns
$t_{w(H)}$	SCL pulse duration, high	0.6			$\mu$ s
$t_{w(L)}$	SCL pulse duration, low	1.3			$\mu$ s
$t_{su2}$	Setup time for START condition	0.6			$\mu$ s
$t_{h2}$	START condition hold time until generation of first clock pulse	0.6			$\mu$ s
$t_{su1}$	Data setup time	100			ns
$t_{h1}$	Data hold time	0 <sup>(1)</sup>			ns
$t_{su3}$	Setup time for STOP condition	0.6			$\mu$ s
$C_B$	Load capacitance for each bus line			400	pF

- (1) A device must internally provide a hold time of at least 300 ns for the SDA signal to bridge the undefined region of the falling edge of SCL.

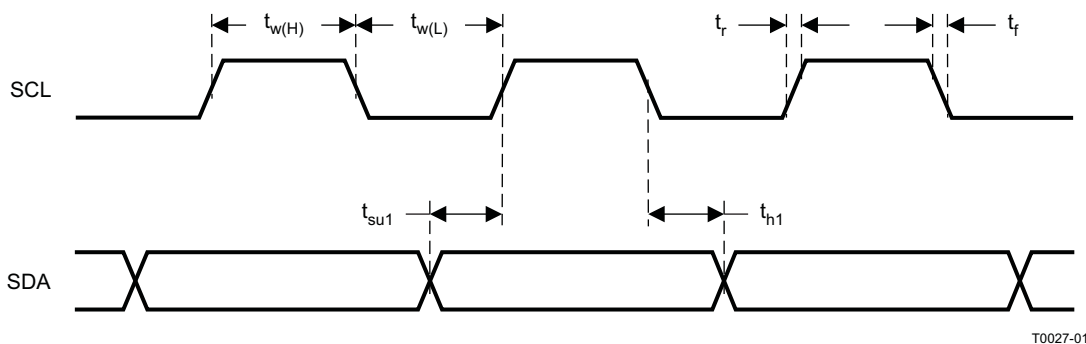


Figure 1. SCL and SDA Timing

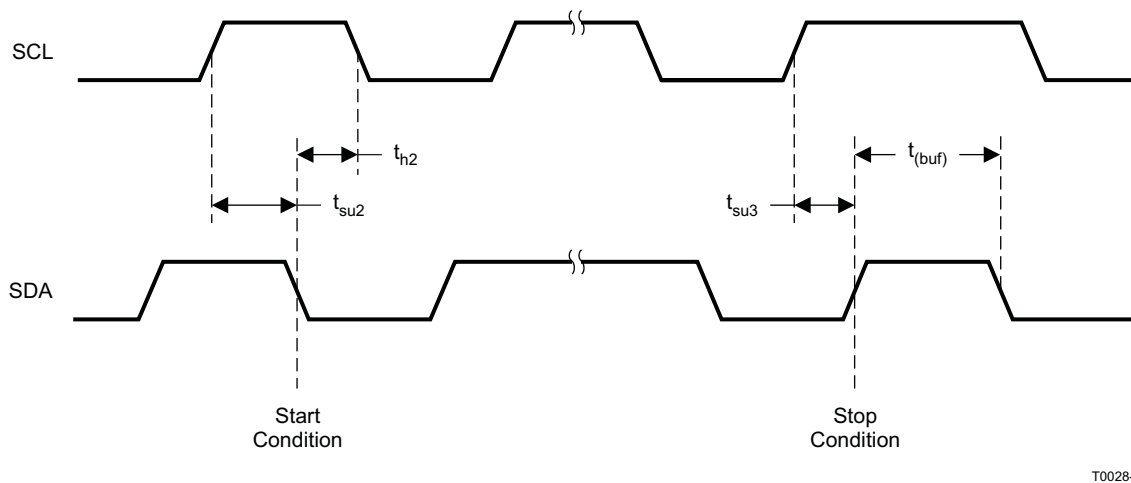


Figure 2. Timing for Start and Stop Conditions

### 6.7 Typical Characteristics

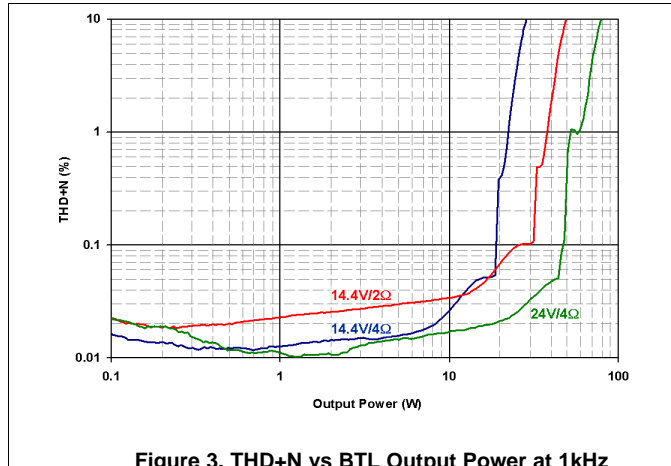


Figure 3. THD+N vs BTL Output Power at 1kHz

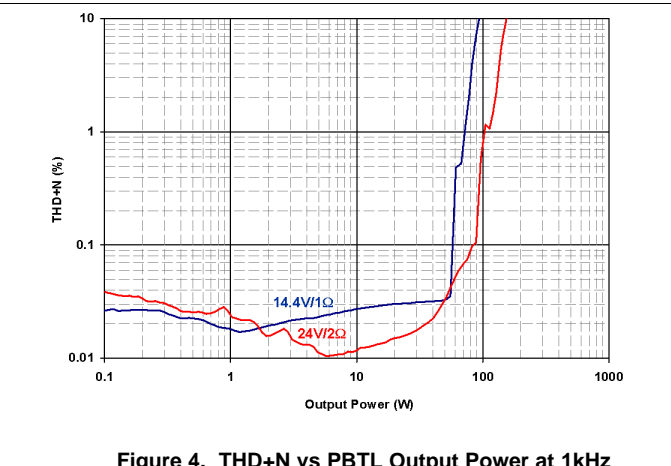


Figure 4. THD+N vs PBTl Output Power at 1kHz

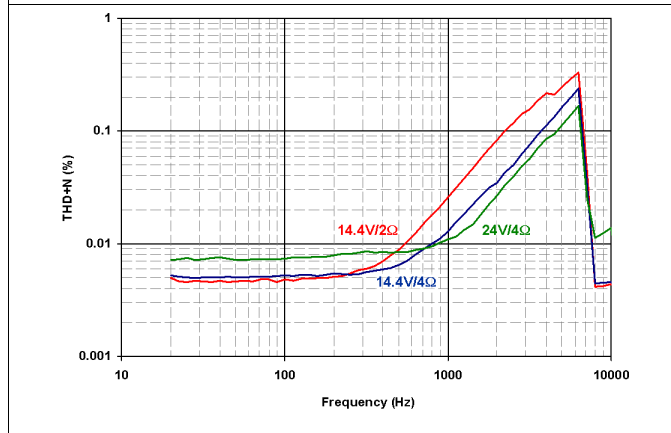


Figure 5. THD+N vs Frequency at 1 Watt

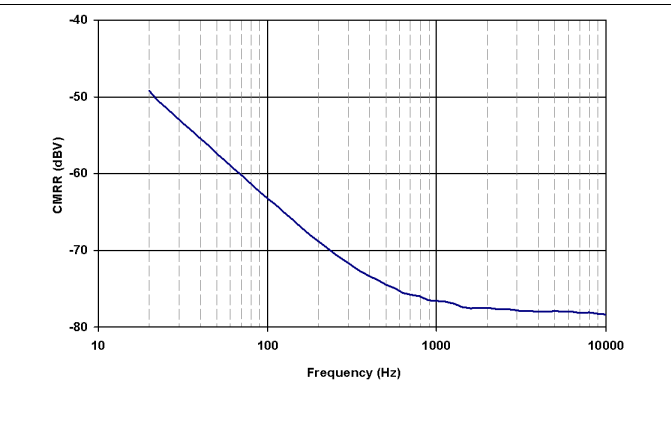


Figure 6. TAS5424C-Q1 Common-Mode Rejection Ratio vs Frequency

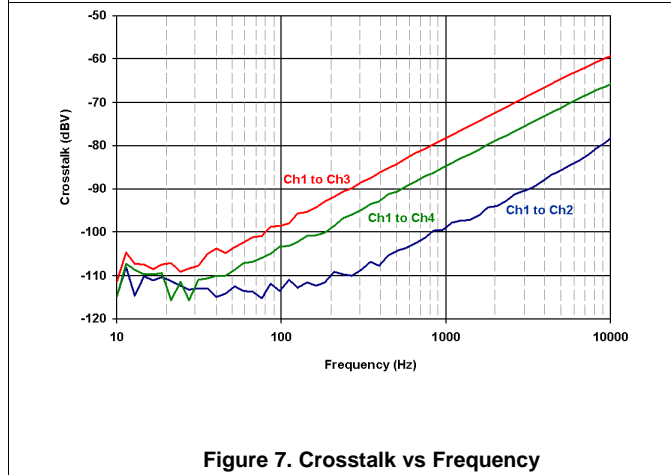


Figure 7. Crosstalk vs Frequency

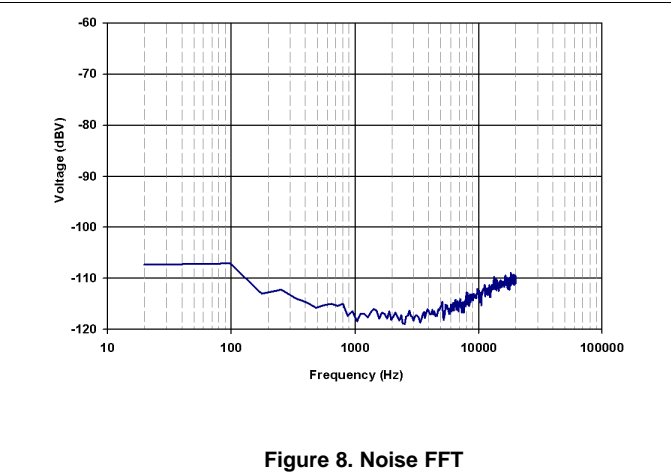
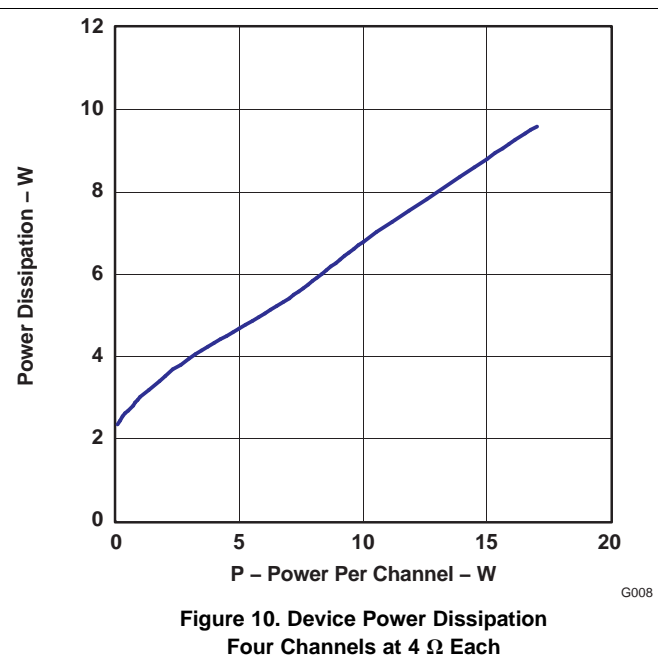
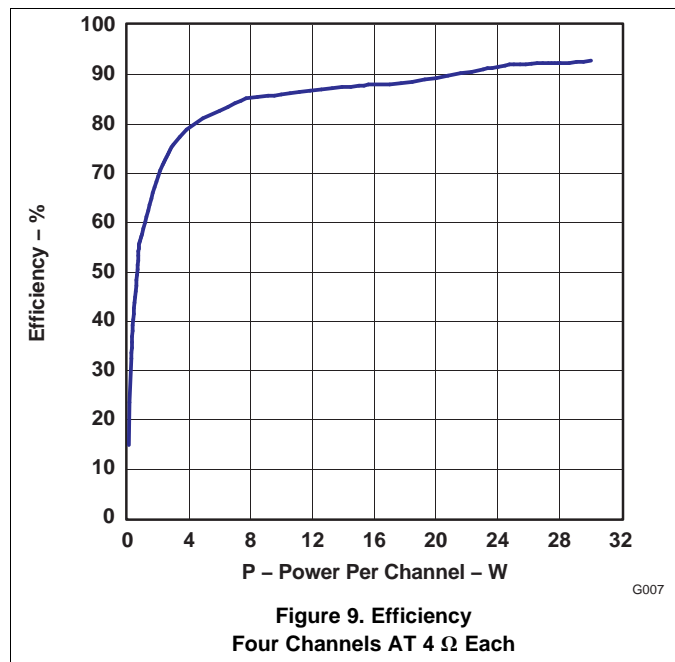


Figure 8. Noise FFT

**Typical Characteristics (continued)**



## 7 Detailed Description

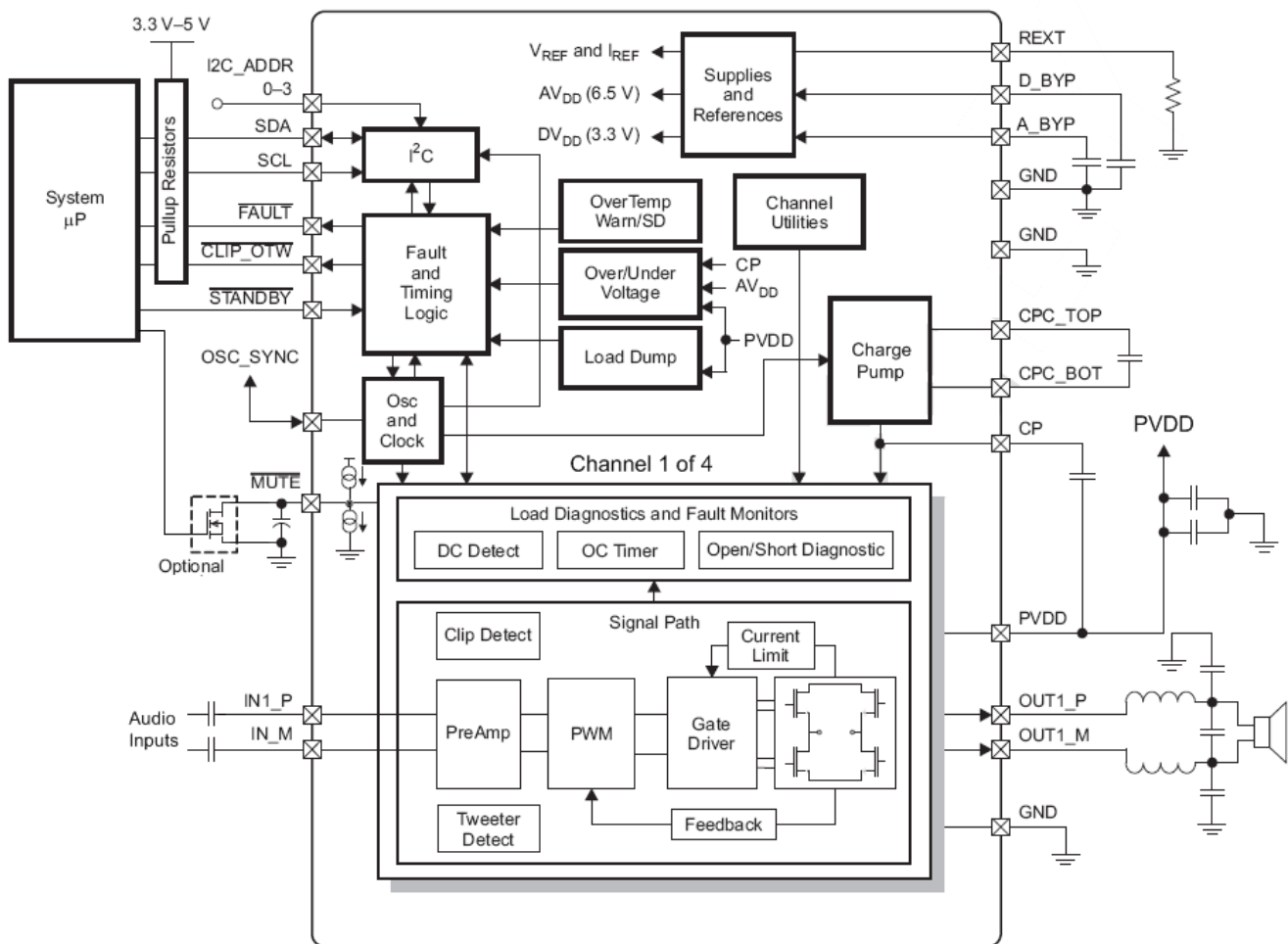
### 7.1 Overview

The TAS5414C-Q1 and TAS5424C-Q1 are single-chip, four-channel, analog-input audio amplifiers for use in the automotive environment. The design uses an ultra-efficient class-D technology developed by Texas Instruments, but with changes needed by the automotive industry. This technology allows for reduced power consumption, reduced heat, and reduced peak currents in the electrical system. The device realizes an audio sound system design with smaller size and lower weight than traditional class-AB solutions.

There are eight core design blocks:

- Preamplifier
- PWM
- Gate drive
- Power FETs
- Diagnostics
- Protection
- Power supply
- I<sup>2</sup>C serial communication bus

### 7.2 Functional Block Diagram



## 7.3 Feature Description

### 7.3.1 Preamplifier

The preamplifier is a high-input-impedance, low-noise, low-offset-voltage input stage with adjustable gain. The high input impedance allows the use of low-cost input capacitors while still achieving extended low-frequency response. A dedicated, internally regulated supply powers the preamplifier, giving it excellent noise immunity and channel separation. The preamplifier also includes:

1. **Mute Pop-and-Click Control** — The device ramps the gain gradually when it is receiving a mute or play command. The start or stopping of switching in a class-D amplifier can cause another form of click and pop. The TAS5414C-Q1 and TAS5424C-Q1 incorporate a patented method to reduce the pop energy during the switching startup and shutdown sequence. Fault conditions require rapid protection response by the TAS5414C-Q1 and the TAS5424C-Q1, which do not have time to ramp the gain down in a pop-free manner. The device transitions into Hi-Z mode when encountering an OV, UV, OC, OT, or dc fault. Also, activation of the STANDBY pin may not be pop-free.
2. **Gain Control** — Setting of gains for the four channels occurs in the preamplifier via I<sup>2</sup>C control registers, outside of the global feedback resistors of the device, thus allowing for stability of the system at all gain settings with properly loaded conditions.

### 7.3.2 Pulse-Width Modulator (PWM)

The PWM converts the analog signal from the preamplifier into a switched signal of varying duty cycle. This is the critical stage that defines the class-D architecture. In the TAS5414C-Q1 and TAS5424C-Q1, the modulator is an advanced design with high bandwidth, low noise, low distortion, excellent stability, and full 0–100% modulation capability. The patented PWM uses clipping recovery circuitry to eliminate the deep saturation characteristic of PWMs when the input signal exceeds the modulator waveform.

### 7.3.3 Gate Drive

The gate driver accepts the low-voltage PWM signal and level-shifts it to drive a high-current, full-bridge, power FET stage. The device uses proprietary techniques to optimize EMI and audio performance.

### 7.3.4 Power FETs

The BTL output for each channel comprises four rugged N-channel 30-V 65-mΩ FETs for high efficiency and maximum power transfer to the load. These FETs can handle large voltage transients during load dump.

### 7.3.5 Load Diagnostics

The device incorporates load diagnostic circuitry designed to help pinpoint the nature of output misconnections during installation. The TAS5414C-Q1 and the TAS5424C-Q1 include functions for detecting and determining the status of output connections. The devices support the following diagnostics:

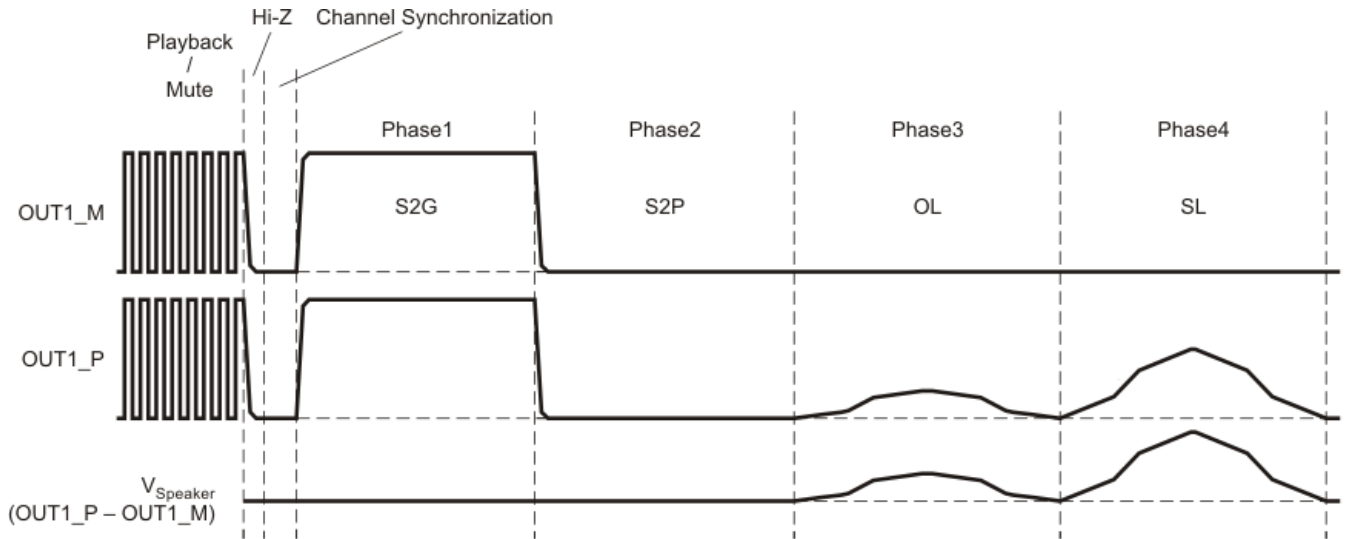
- Short to GND
- Short to PVDD
- Short across load
- Open load
- Tweeter detection

Reporting to the system of the presence of any of the short or open conditions occurs via I<sup>2</sup>C register read. One can read the tweeter-detect status from the CLIP\_OTW pin when properly configured.

1. **Output Short and Open Diagnostics** — The device contains circuitry designed to detect shorts and open conditions on the outputs. Invocation of the load diagnostic function can only occur when the output is in the Hi-Z mode. There are four phases of test during load diagnostics and two levels of test. In the full level, all channels must be in the Hi-Z state. Testing covers all four phases on each channel, all four channels at the same time. When fewer than four channels are in Hi-Z, the reduced level of test is the only available option. In the reduced level, the only tests available are short to PVDD and short to GND. Load diagnostics can occur at power up before moving the amplifier out of Hi-Z mode. If the amplifier is already in play mode, it must *Mute* and then *Hi-Z* before performing the load diagnostic. By performing the mute function, the normal pop- and click-free transitions occur before the diagnostics begin. Performance of the diagnostics is as shown in [Figure 11](#). [Figure 12](#) shows the impedance ranges for the open-load and shorted-load diagnostics. Reading the results of the diagnostics is from the diagnostic register via I<sup>2</sup>C for each channel. With the

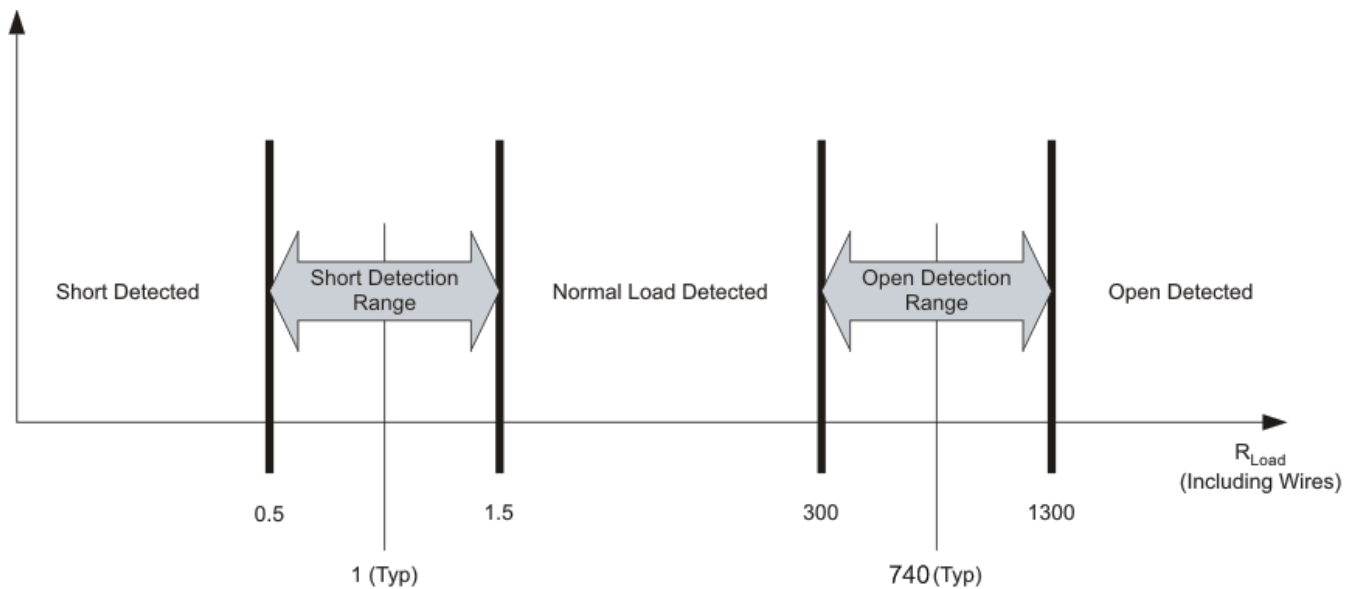
**Feature Description (continued)**

default settings and  $\overline{\text{MUTE}}$  capacitor, the S2G and S2P phase take approximately 20 ms each, the OL phase takes approximately 100 ms, and the SL takes approximately 230 ms. In I<sup>2</sup>C register 0x10, bit D4 can extend the test time for S2P and S2G to 80 ms each. To prevent false S2G and S2P faults, this time extension is necessary if the output pins have a capacitance higher than 680 nF to ground .



T0188-01

**Figure 11. Load Diagnostics Sequence of Events**



M0067-01

**Figure 12. Open- and Shorted-Load Detection**

- Tweeter Detection** — Tweeter detection is an alternate operating mode used to determine the proper connection of a frequency-dependent load (such as a speaker with a crossover). Invoking of tweeter detection is via I<sup>2</sup>C, with individual testing of all four channels recommended. Tweeter detection uses the average cycle-by-cycle current limit circuit (see *CBC* section) to measure the current delivered to the load. The proper implementation of this diagnostic function depends on the amplitude of a user-supplied test signal and on the impedance-versus-frequency curve of the acoustic load. The system (external to the TAS5414C-Q1 and TAS5424C-Q1) must generate a signal to which the load responds. The frequency and amplitude of this



## Feature Description (continued)

signal must be calibrated by the user to result in a current draw that is greater than the tweeter detection threshold when the load under test is present, and less than the detection threshold if the load is unconnected. The current level for the tweeter detection threshold, as well as the maximum current that can safely be delivered to a load when in tweeter-detection mode, is in the Electrical Characteristics section of the data sheet. Reporting of the tweeter-detection results is on the CLIP\_OTW pin during the application of the test signal. With tweeter detection activated (indicating that the tested load is present), pulses on the CLIP\_OTW pin begin to toggle. The pulses on the CLIP\_OTW pins report low whenever the current exceeds the detection threshold, and the pin remains low until the current no longer exceeds the threshold. The minimum low-pulse period that one can expect is equal to one period of the switching frequency. Having an input signal that increases the duration of detector activation (for example, increasing the amplitude of the input signal) increases the amount of time for which the pin reports low.

**NOTE:** Because tweeter detection is an alternate *operating mode*, place the channels to be tested in Play mode (via register 0x0C) after tweeter detection has been activated in order to commence the detection process. Additionally, set up the CLIP\_OTW pin via register 0x0A to report the results of tweeter detection.

### 7.3.6 Protection and Monitoring

1. **Cycle-By-Cycle Current Limit (CBC)** — The CBC current-limiting circuit terminates each PWM pulse to limit the output current flow to the average current limit ( $I_{LIM}$ ) threshold. The overall effect on the audio in the case of a current overload is quite similar to a voltage-clipping event, temporarily limiting power at the peaks of the musical signal and normal operation continues without disruption on removal of the overload. The TAS5414C-Q1 and TAS5424C-Q1 do not prematurely shut down in this condition. All four channels continue in play mode and pass signal.
2. **Overcurrent Shutdown (OCS)** — Under severe short-circuit events, such as a short to PVDD or ground, the device uses a peak-current detector, and the affected channel shuts down in 200  $\mu$ s to 390  $\mu$ s if the conditions are severe enough. The shutdown speed depends on a number of factors, such as the impedance of the short circuit, supply voltage, and switching frequency. Only the shorted channels shut down in such a scenario. The user may restart the affected channel via I<sup>2</sup>C. An OCS event activates the fault pin, and the I<sup>2</sup>C fault register saves a record of the affected channels. If the supply or ground short is strong enough to exceed the peak current threshold but not severe enough to trigger the OCS, the peak current limiter prevents excess current from damaging the output FETs, and operation returns to normal after the short is removed.
3. **DC Detect**—This circuit detects a dc offset at the output of the amplifier continuously during normal operation. If the dc offset reaches the level defined in the I<sup>2</sup>C registers for the specified time period, the circuit triggers. By default, a dc detection event does not shut the output down. Disabling and enabling the shutdown function is via I<sup>2</sup>C. If enabled, the triggered channel shuts down, but the others remain playing, but with the FAULT pin asserted. The I<sup>2</sup>C registers define the dc level.
4. **Clip Detect**—The clip detect circuit alerts the user to the presence of a 100% duty-cycle PWM due to a clipped waveform. When this occurs, a signal passed to the CLIP\_OTW pin asserts it until the 100% duty-cycle PWM signal is no longer present. All four channels connect to the same CLIP\_OTW pin. Through I<sup>2</sup>C, one can change the CLIP\_OTW signal clip-only, OTW-only, or both. A fourth mode, used only during diagnostics, is the option to report tweeter detection events on this pin (see the [Tweeter Detection](#) section). The microcontroller in the system can monitor the signal at the CLIP\_OTW pin, and may have a configuration that reduces the volume to all four channels in an active clipping-prevention circuit.
5. **Overtemperature Warning (OTW), Overtemperature Shutdown (OTSD) and Thermal Foldback** — By default, the CLIP\_OTW pin setting indicates an OTW. One can make changes via I<sup>2</sup>C commands. If selected to indicate a temperature warning, CLIP\_OTW pin assertion occurs when the die temperature reaches warning level 1 as shown in the electrical specifications. The OTW has three temperature thresholds with a 10°C hysteresis. I<sup>2</sup>C register 0x04 indicates each threshold in bits 5, 6, and 7. The device still functions until the temperature reaches the OTSD threshold, at which time the outputs go into Hi-Z mode and the device asserts the FAULT pin. I<sup>2</sup>C is still active in the event of an OTSD, and one can read the registers for faults, but all audio ceases abruptly. After the OTSD resets, one can turn the device back on through I<sup>2</sup>C. The OTW indication remains until the temperature drops below warning level 1. The thermal foldback decreases the channel gain.
6. **Undervoltage (UV) and Power-on-Reset (POR)** — The undervoltage (UV) protection detects low voltages on PVDD, AVDD, and CP. In the event of an undervoltage, the device asserts the FAULT pin and updates the I<sup>2</sup>C register, depending on which voltage caused the event. Power-on reset (POR) occurs when PVDD

## Feature Description (continued)

drops low enough. A POR event causes the I<sup>2</sup>C to go into a high-impedance state. After the device recovers from the POR event, the device re-initialization occur via I<sup>2</sup>C.

- 7. Overvoltage (OV) and Load Dump** — The OV protection detects high voltages on PVDD. If PVDD reaches the overvoltage threshold, the device asserts the  $\overline{\text{FAULT}}$  pin and updates the I<sup>2</sup>C register. The device can withstand 50-V load-dump voltage spikes.

### 7.3.7 I<sup>2</sup>C Serial Communication Bus

The device communicates with the system processor via the I<sup>2</sup>C serial communication bus as an I<sup>2</sup>C slave-only device. The processor can poll the device via I<sup>2</sup>C to determine the operating status. All reports of fault conditions and detections are via I<sup>2</sup>C. There are also numerous features and operating conditions that one can set via I<sup>2</sup>C.

The I<sup>2</sup>C bus allows control of the following configurations:

- Independent gain control of each channel. The gain can be set to 12 dB, 20 dB, 26 dB, and 32 dB.
- Select the AM non-interference switching frequency
- Select the functionality of the OTW\_CLIP pin
- Enable or disable the dc-detect function with selectable threshold
- Place a channel in Hi-Z (switching stopped) mode (mute)
- Select tweeter detect, set the detection threshold, and initiate the function
- Initiate the open- and shorted-load diagnostic
- Reset faults and return to normal switching operation from Hi-Z mode (unmute)

In addition to the standard SDA and SCL pins for the I<sup>2</sup>C bus, the TAS5414C-Q1 and the TAS5424C-Q1 include a single pin that allows up to four devices to work together in a system with no additional hardware required for communication or synchronization. The I2C\_ADDR pin sets the device in master or slave mode and selects the I<sup>2</sup>C address for that device. Tie I2C\_ADDR to DGND for master, to 1.2 Vdc for slave 1, to 2.4 Vdc for slave 2, and to D\_BYP for slave 3. The OSC\_SYNC pin is for synchronizing the internal clock oscillators, thereby avoid beat frequencies. One can apply an external oscillator to this pin for external control of the switching frequency.

**Table 1. Table 7. I2C\_ADDR Pin Connection**

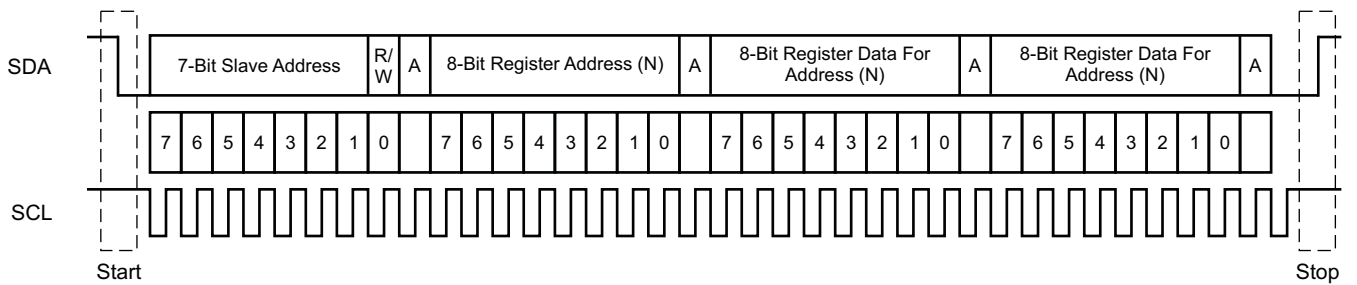
I2C_ADDR VALUE	I2C_ADDR PIN CONNECTION	I <sup>2</sup> C ADDRESSES
0 (OSC MASTER)	To SGND pin	0xD8/D9
1 (OSC SLAVE1)	35% DVDD (resistive voltage divider between D_BYP pin and SGND pin) <sup>(1)</sup>	0xDA/DB
2 (OSC SLAVE2)	65% DVDD (resistive voltage divider between D_BYP pin and SGND pin) <sup>(1)</sup>	0xDC/DD
3 (OSC SLAVE3)	To D_BYP pin	0xDE/DF

(1) TI recommends R<sub>I2C\_ADDR</sub> resistors with 5% or better tolerance.

### 7.3.8 I<sup>2</sup>C Bus Protocol

The TAS5414C-Q1 and TAS5424C-Q1 have a bidirectional serial control interface that is compatible with the Inter IC (I<sup>2</sup>C) bus protocol and supports 400-kbps data transfer rates for random and sequential write and read operations. This is a slave-only device that does not support a multimaster bus environment or wait-state insertion. The control interface programs the registers of the device and reads device status.

The I<sup>2</sup>C bus employs two signals, SDA (data) and SCL (clock), to communicate between integrated circuits in a system. Data transfer on the bus is serial, one bit at a time. The transfer of address and data is in byte (8-bit) format with the most-significant bit (MSB) transferred first. In addition, the receiving device acknowledges each byte transferred on the bus with an acknowledge bit. Each transfer operation begins with the master device driving a start condition on the bus and ends with the master device driving a stop condition on the bus. The bus uses transitions on the data terminal (SDA) while the clock is HIGH to indicate a start and stop conditions. A HIGH-to-LOW transition on SDA indicates a start, and a LOW-to-HIGH transition indicates a stop. Normal data-bit transitions must occur within the low time of the clock period. Figure 13 shows these conditions. The master generates the 7-bit slave address and the read/write bit to open communication with another device and then wait for an acknowledge condition. The TAS5414C-Q1 and TAS5424C-Q1 hold SDA LOW during the acknowledge-clock period to indicate an acknowledgment. When this occurs, the master transmits the next byte of the sequence. Each device is addressed by a unique 7-bit slave address plus R/W bit (1 byte). All compatible devices share the same signals via a bidirectional bus using a wired-AND connection. There must be an external pullup resistor for the SDA and SCL signals to set the HIGH level for the bus. There is no limit on the number of bytes that one can transmit between start and stop conditions. When the last word transfers, the master generates a stop condition to release the bus.



T0035-01

Figure 13. Typical I<sup>2</sup>C Sequence

Use the I2C\_ADDR pin (pin 2) to program the device for one of four addresses. These four addresses are licensed I<sup>2</sup>C addresses and do not conflict with other licensed I<sup>2</sup>C audio devices. To communicate with the TAS5414C-Q1 and the TAS5424C-Q1, the I<sup>2</sup>C master uses addresses shown in Figure 13. Transmission of read and write data can be via single-byte or multiple-byte data transfers.

### 7.3.9 Hardware Control Pins

There are four discrete hardware pins for real-time control and indication of device status.

1. **FAULT** pin: This active-low open-drain output pin indicates the presence of a fault condition that requires the device to go into the Hi-Z mode or standby mode. On assertion of this pin, the device has protected itself and the system from potential damage. One can read the exact nature of the fault via I<sup>2</sup>C with the exception of PVDD undervoltage faults below POR, in which case the I<sup>2</sup>C bus is no longer operational. However, the fault is still indicated due to FAULT pin assertion.
2. **CLIP\_OTW** pin: Configured via I<sup>2</sup>C, this active-low open-drain pin indicates one of the following conditions: overtemperature warning, the detection of clipping, or the logical OR of both of these conditions. During tweeter detect diagnostics, assertion of this pin also occurs when a tweeter is present. If overtemperature warning is set, the device can also indicate thermal foldback on this pin.
3. **MUTE** pin: This active-low pin is used for hardware control of the mute-unmute function for all four channels. Capacitor C<sub>MUTE</sub> controls the time constant for the gain ramp needed to produce a pop- and click-free mute function. For pop- and click-free operation, implementation of the mute function should be through I<sup>2</sup>C commands. The use of a hard mute with an external transistor does not ensure pop- and click-free operation, and TI does not recommend it except as an *emergency hard mute* function in case of a loss of I<sup>2</sup>C control. Sharing the C<sub>MUTE</sub> capacitor between multiple devices is disallowed.
4. **STANDBY** pin: On assertion of this active-low pin, the device goes into a complete shutdown, and the typical current-draw limit is 2 μA, typical. STANDBY can be used to shut down the device rapidly. If all channels are in Hi-Z, the device enters standby in approximately 1 ms. All I<sup>2</sup>C register content is lost and the I<sup>2</sup>C bus goes into the high-impedance state on assertion of the STANDBY pin.

### 7.3.10 AM Radio Avoidance

To reduce interference in the AM radio band, the device has the ability to change the switching frequency via I<sup>2</sup>C commands. Table 2 lists the recommended frequencies. The fundamental frequency and its second harmonic straddle the AM radio band listed. This eliminates the tones that can be present due to demodulation of the switching frequency by the AM radio.

**Table 2. Recommended Switching Frequencies for AM Mode Operation**

US		EUROPEAN	
AM FREQUENCY (kHz)	SWITCHING FREQUENCY (kHz)	AM FREQUENCY (kHz)	SWITCHING FREQUENCY (kHz)
540–670	417	522–675	417
680–980	500	676–945	500
990–1180	417	946–1188	417
1190–1420	500	1189–1422	500
1430–1580	417	1423–1584	417
1590–1700	500	1585–1701	500

## 7.4 Device Functional Modes

Table 3 through Table 5 depict the operating modes and faults.

**Table 3. Operating Modes**

STATE NAME	OUTPUT FETS	CHARGE PUMP	OSCILLATOR	I <sup>2</sup> C	AVDD and DVDD
STANDBY	Hi-Z, floating	Stopped	Stopped	Stopped	OFF
Hi-Z	Hi-Z, weak pulldown	Active	Active	Active	ON
Mute	Switching at 50%	Active	Active	Active	ON
Normal operation	Switching with audio	Active	Active	Active	ON

**Table 4. Global Faults and Actions**

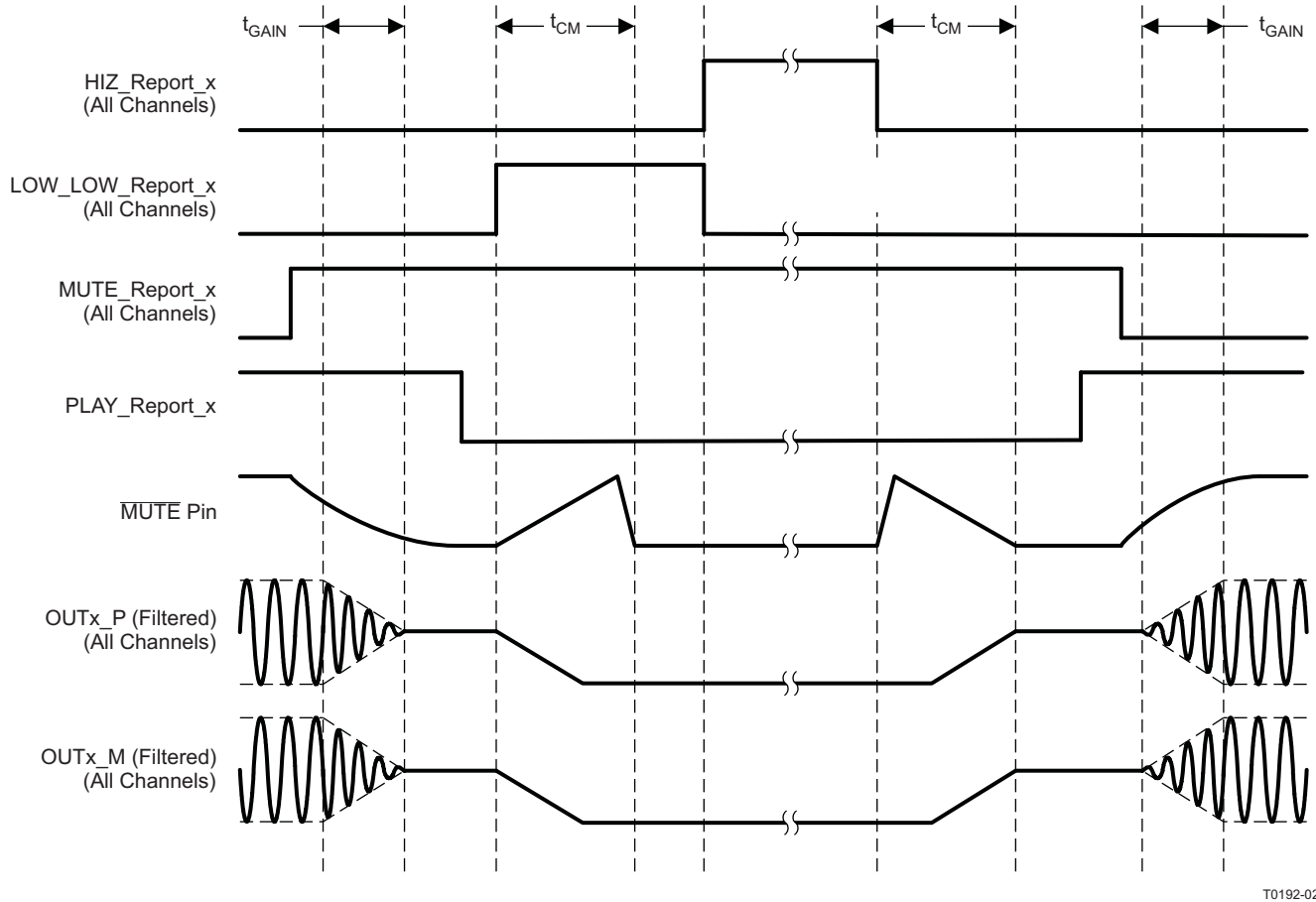
FAULT OR EVENT	FAULT OR EVENT CATEGORY	MONITORING MODES	REPORTING METHOD	ACTION TYPE	ACTION RESULT	LATCHED OR SELF-CLEARING
POR	Voltage fault	All	$\overline{\text{FAULT}}$ pin	Hard mute (no ramp)	Standby	Self-clearing
UV		Hi-Z, mute, normal	I <sup>2</sup> C + $\overline{\text{FAULT}}$ pin		Hi-Z	Latched
CP UV					Standby	Self-clearing
OV						
Load dump		All	$\overline{\text{FAULT}}$ pin		Standby	Self-clearing
OTW	Thermal warning	Hi-Z, mute, normal	I <sup>2</sup> C + $\overline{\text{CLIP\_OTW}}$ pin	None	None	Self-clearing
OTSD	Thermal fault	Hi-Z, mute, normal	I <sup>2</sup> C + $\overline{\text{FAULT}}$ pin	Hard mute (no ramp)	Standby	Latched

**Table 5. Channel Faults and Actions**

FAULT/ EVENT	FAULT OR EVENT CATEGORY	MONITORING MODES	REPORTING METHOD	ACTION TYPE	ACTION RESULT	LATCHED OR SELF-CLEARING
Open-short diagnostic	Diagnostic	Hi-Z (I <sup>2</sup> C activated)	I <sup>2</sup> C	None	None	Latched
Clipping	Warning	Mute / Play	$\overline{\text{CLIP\_OTW}}$ pin	None	None	Self-clearing
CBC load current limit	Online protection			Current Limit	Start OC timer	Self-clearing
OC fault	Output channel fault		I <sup>2</sup> C + $\overline{\text{FAULT}}$ pin	Hard mute	Hi-Z	Latched
DC detect				Hard mute	Hi-Z	Latched
OT Foldback	Warning		I <sup>2</sup> C + $\overline{\text{CLIP\_OTW}}$ pin	Reduce Gain	None	Self-clearing

### 7.4.1 Audio Shutdown and Restart Sequence

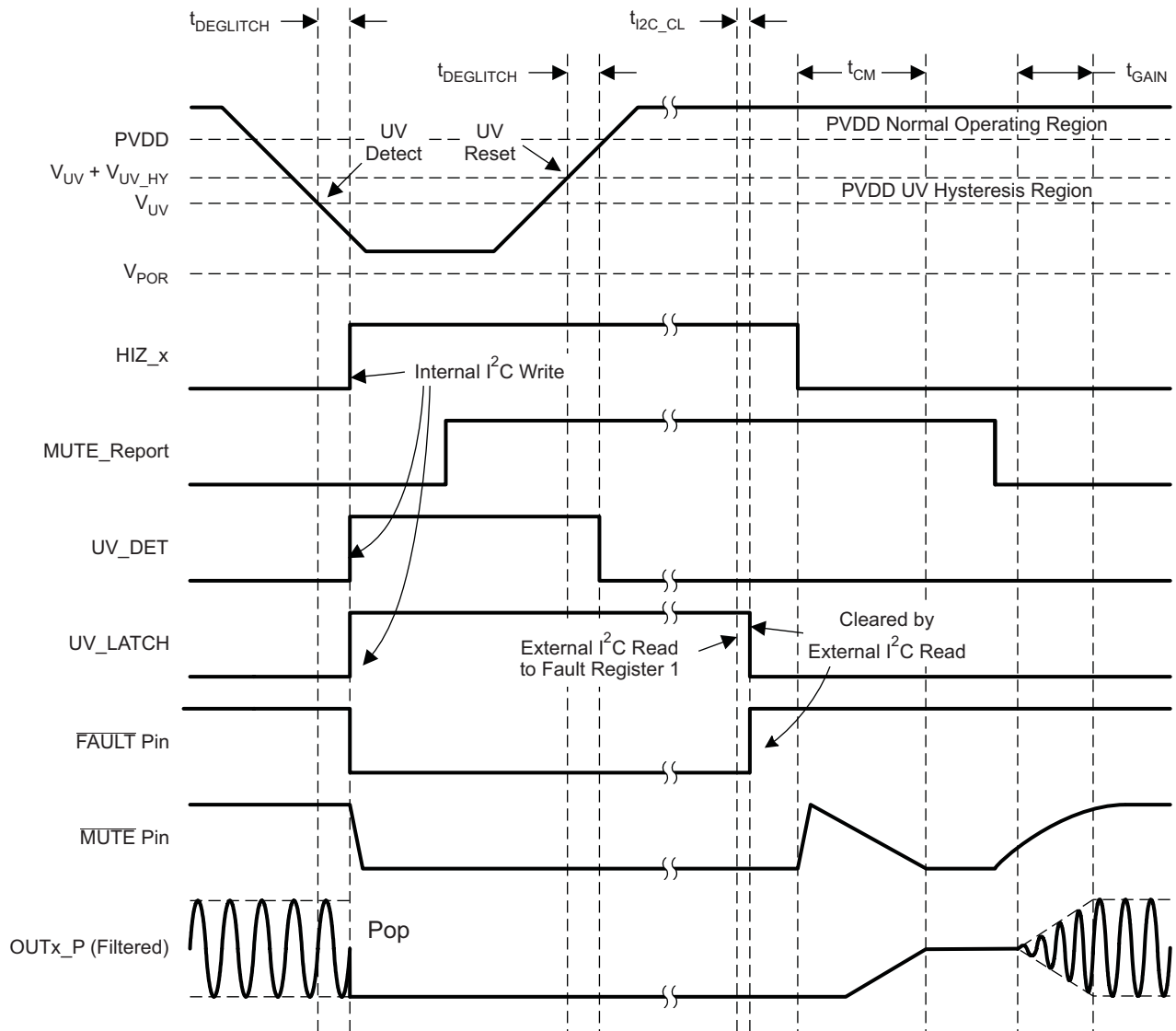
The gain ramp of the filtered output signal and the updating of the I<sup>2</sup>C registers correspond to the MUTE pin voltage during the ramping process. The value of the external capacitor on the MUTE pin dictates the length of time that the MUTE pin takes to complete its ramp. With the default 220-nF capacitor, the turnon common-mode ramp takes approximately 26 ms and the gain ramp takes approximately 76 ms.



T0192-02

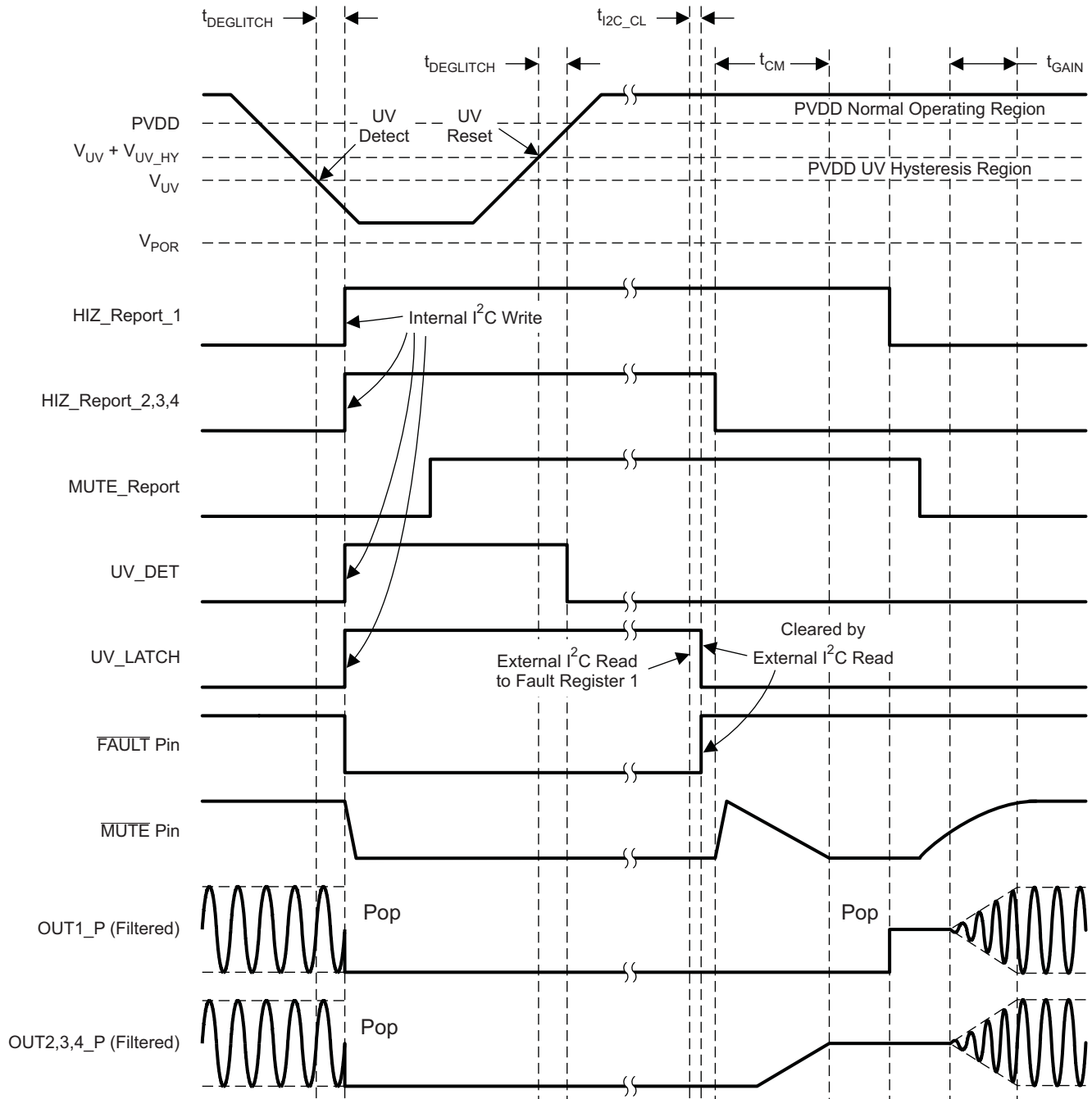
**Figure 14. Timing Diagram for Click- and Pop-Free Shutdown and Restart Sequence**

7.4.2 Latched-Fault Shutdown and Restart Sequence Control



T0194-02

Figure 15. Timing Diagram for Latched-Global-Fault Shutdown and Restart (UV Shutdown and Recovery)



T0195-02

Figure 16. Timing Diagram for Latched-Global-Fault Shutdown and Individual-Channel Restart (UV Shutdown and Recovery)



## 7.5 Programming

### 7.5.1 Random Write

As shown in Figure 17, a random write or single-byte write transfer begins with the master device transmitting a start condition followed by the I<sup>2</sup>C device address and the read/write bit. The read/write bit determines the direction of the data transfer. For a single-byte write data transfer, the read/write bit is a 0. After receiving the correct I<sup>2</sup>C device address and the read/write bit, the device responds with an acknowledge bit. Next, the master transmits the address byte or bytes corresponding to the internal memory address being accessed. After receiving the address byte, the device again responds with an acknowledge bit. Next, the master device transmits the data byte to be written to the memory address being accessed. After receiving the data byte, the TAS5414C-Q1 or TAS5424C-Q1 again responds with an acknowledge bit. Finally, the master device transmits a stop condition to complete the single-byte write transfer.

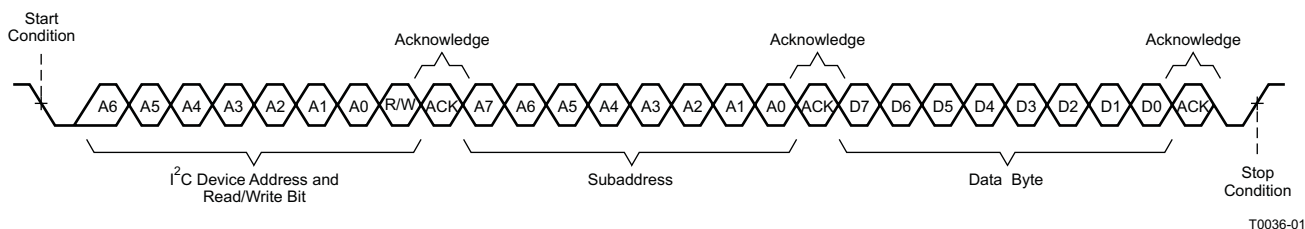


Figure 17. Random-Write Transfer

### 7.5.2 Sequential Write

A sequential write transfer is identical to a single-byte data-write transfer except for the transmission of multiple data bytes by the master device to TAS5414C-Q1 or TAS5424C-Q1 as shown in Figure 18. After receiving each data byte, the device responds with an acknowledge bit and automatically increments the I<sup>2</sup>C subaddress by one.

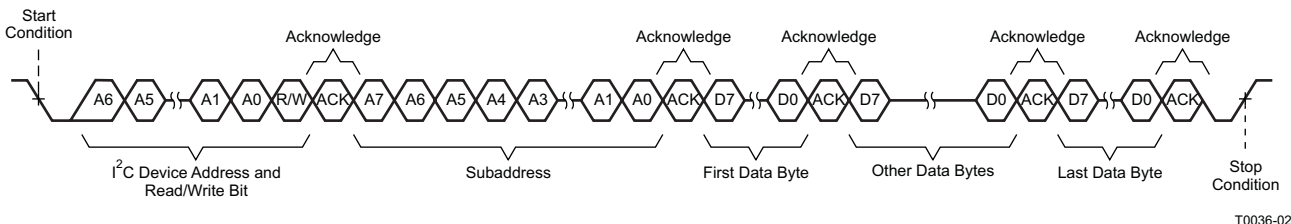
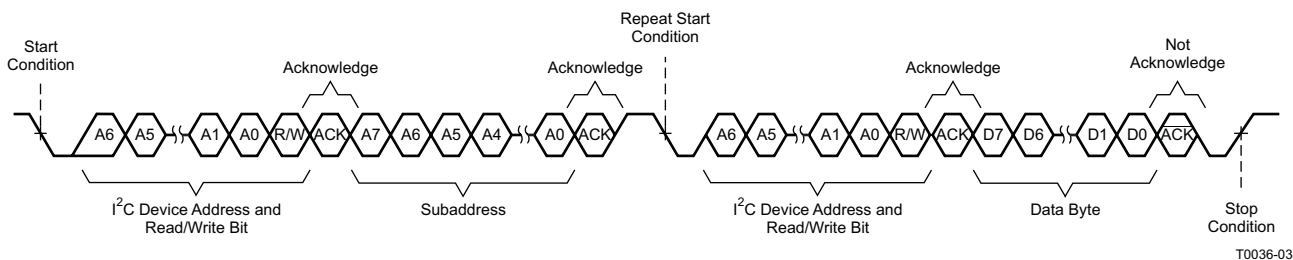


Figure 18. Sequential Write Transfer

## Programming (continued)

### 7.5.3 Random Read

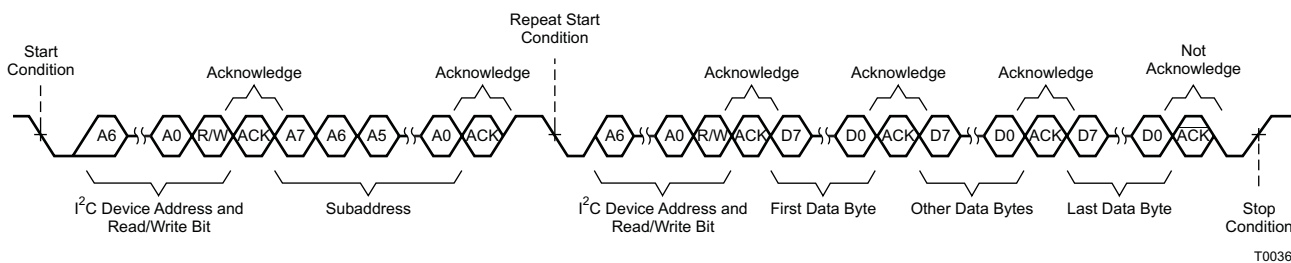
As shown in [Figure 19](#), a random read or single-byte read transfer begins with the master device transmitting a start condition followed by the I<sup>2</sup>C device address and the read/write bit. For the single-byte read transfer, the master device transmits both a write followed by a read. Initially, a write transfers the address byte or bytes of the internal memory address to be read. Thus, the read/write bit is a 0. After receiving the address and the read/write bit, the TAS5414C-Q1 or TAS5424C-Q1 responds with an acknowledge bit. In addition, after sending the internal memory address byte or bytes, the master device transmits another start condition followed by the device address and the read/write bit again. This time the read/write bit is a 1, indicating a read transfer. After receiving the address and the read/write bit, the device again responds with an acknowledge bit. Next, the TAS5414C-Q1 or TAS5424C-Q1 transmits the data byte from the memory address being read. After receiving the data byte, the master device transmits a not-acknowledge followed by a stop condition to complete the single-byte read transfer.



**Figure 19. Random Read Transfer**

### 7.5.4 Sequential Read

A sequential read transfer is identical to a single-byte read transfer except for the transmission of multiple data bytes by the TAS5414C-Q1 or TAS5424C-Q1 to the master device as shown in [Figure 20](#). Except for the last data byte, the master device responds with an acknowledge bit after receiving each data byte and automatically increments the I<sup>2</sup>C subaddress by one. After receiving the last data byte, the master device transmits a not-acknowledge followed by a stop condition to complete the transfer.



**Figure 20. Sequential Read Transfer**

## 7.6 Register Maps

**Table 6. TAS5414C-Q1 and TAS5424C-Q1 I<sup>2</sup>C Addresses**

I2C_ADDR VALUE		FIXED ADDRESS					SELECTABLE WITH ADDRESS PIN		READ/WRITE BIT	I <sup>2</sup> C ADDRESS
		MSB	6	5	4	3	2	1	LSB	
0 (OSC MASTER)	I <sup>2</sup> C WRITE	1	1	0	1	1	0	0	0	0xD8
	I <sup>2</sup> C READ	1	1	0	1	1	0	0	1	0xD9
1 (OSC SLAVE1)	I <sup>2</sup> C WRITE	1	1	0	1	1	0	1	0	0xDA
	I <sup>2</sup> C READ	1	1	0	1	1	0	1	1	0xDB
2 (OSC SLAVE2)	I <sup>2</sup> C WRITE	1	1	0	1	1	1	0	0	0xDC
	I <sup>2</sup> C READ	1	1	0	1	1	1	0	1	0xDD
3 (OSC SLAVE3)	I <sup>2</sup> C WRITE	1	1	0	1	1	1	1	0	0xDE
	I <sup>2</sup> C READ	1	1	0	1	1	1	1	1	0xDF

**Table 7. I<sup>2</sup>C Address Register Definitions**

ADDRESS	TYPE	REGISTER DESCRIPTION
0x00	Read	Latched fault register 1, global and channel fault
0x01	Read	Latched fault register 2, dc offset and overcurrent detect
0x02	Read	Latched diagnostic register 1, load diagnostics
0x03	Read	Latched diagnostic register 2, load diagnostics
0x04	Read	External status register 1, temperature and voltage detect
0x05	Read	External status register 2, Hi-Z and low-low state
0x06	Read	External status register 3, mute and play modes
0x07	Read	External status register 4, load diagnostics
0x08	Read, Write	External control register 1, channel gain select
0x09	Read, Write	External control register 2, overcurrent control
0x0A	Read, Write	External control register 3, switching frequency and clip pin select
0x0B	Read, Write	External control register 4, load diagnostic, master mode select
0x0C	Read, Write	External control register 5, output state control
0x0D	Read, Write	External control register 6, output state control
0x0E, 0x0F	–	Not used
0x10	Read, Write	External control register 7, dc detect threshold selection
0x13	Read	External status register 5, overtemperature shutdown and thermal foldback

**Table 8. Fault Register 1 (0x00) Protection**

D7	D6	D5	D4	D3	D2	D1	D0	FUNCTION
0	0	0	0	0	0	0	0	No protection-created faults, default value
–	–	–	–	–	–	–	1	Overtemperature warning has occurred.
–	–	–	–	–	–	1	–	DC offset has occurred in any channel.
–	–	–	–	–	1	–	–	Overcurrent shutdown has occurred in any channel.
–	–	–	–	1	–	–	–	Overtemperature shutdown has occurred.
–	–	–	1	–	–	–	–	Charge-pump undervoltage has occurred.
–	–	1	–	–	–	–	–	AVDD, analog voltage, undervoltage has occurred.
–	1	–	–	–	–	–	–	PVDD undervoltage has occurred.
1	–	–	–	–	–	–	–	PVDD overvoltage has occurred.

**Table 9. Fault Register 2 (0x01) Protection**

D7	D6	D5	D4	D3	D2	D1	D0	FUNCTION
0	0	0	0	0	0	0	0	No protection-created faults, default value
–	–	–	–	–	–	–	1	Overcurrent shutdown channel 1 has occurred.
–	–	–	–	–	–	1	–	Overcurrent shutdown channel 2 has occurred.
–	–	–	–	–	1	–	–	Overcurrent shutdown channel 3 has occurred.
–	–	–	–	1	–	–	–	Overcurrent shutdown channel 4 has occurred.
–	–	–	1	–	–	–	–	DC offset channel 1 has occurred.
–	–	1	–	–	–	–	–	DC offset channel 2 has occurred.
–	1	–	–	–	–	–	–	DC offset channel 3 has occurred.
1	–	–	–	–	–	–	–	DC offset channel 4 has occurred.

**Table 10. Diagnostic Register 1 (0x02) Load Diagnostics**

D7	D6	D5	D4	D3	D2	D1	D0	FUNCTION
0	0	0	0	0	0	0	0	No load-diagnostic-created faults, default value
–	–	–	–	–	–	–	1	Output short to ground channel 1 has occurred.
–	–	–	–	–	–	1	–	Output short to PVDD channel 1 has occurred.
–	–	–	–	–	1	–	–	Shorted load channel 1 has occurred.
–	–	–	–	1	–	–	–	Open load channel 1 has occurred.
–	–	–	1	–	–	–	–	Output short to ground channel 2 has occurred.
–	–	1	–	–	–	–	–	Output short to PVDD channel 2 has occurred.
–	1	–	–	–	–	–	–	Shorted load channel 2 has occurred.
1	–	–	–	–	–	–	–	Open load channel 2 has occurred.

**Table 11. Diagnostic Register 2 (0x03) Load Diagnostics**

D7	D6	D5	D4	D3	D2	D1	D0	FUNCTION
0	0	0	0	0	0	0	0	No load-diagnostic-created faults, default value
–	–	–	–	–	–	–	1	Output short to ground channel 3 has occurred.
–	–	–	–	–	–	1	–	Output short to PVDD channel 3 has occurred.
–	–	–	–	–	1	–	–	Shorted load channel 3 has occurred.
–	–	–	–	1	–	–	–	Open load channel 3 has occurred.
–	–	–	1	–	–	–	–	Output short to ground channel 4 has occurred.
–	–	1	–	–	–	–	–	Output short to PVDD channel 4 has occurred.
–	1	–	–	–	–	–	–	Shorted load channel 4 has occurred.
1	–	–	–	–	–	–	–	Open load channel 4 has occurred.

**Table 12. External Status Register 1 (0x04) Fault Detection**

D7	D6	D5	D4	D3	D2	D1	D0	FUNCTION
0	0	0	0	0	0	0	0	No protection-created faults are present, default value.
–	–	–	–	–	–	–	1	PVDD overvoltage fault is present.
–	–	–	–	–	–	1	–	PVDD undervoltage fault is present.
–	–	–	–	–	1	–	–	AVDD, analog voltage fault is present.
–	–	–	–	1	–	–	–	Charge-pump voltage fault is present.
–	–	–	1	–	–	–	–	Overtemperature shutdown is present.
0	0	1	–	–	–	–	–	Overtemperature warning
0	1	1	–	–	–	–	–	Overtemperature warning level 1
1	0	1	–	–	–	–	–	Overtemperature warning level 2
1	1	1	–	–	–	–	–	Overtemperature warning level 3

**Table 13. External Status Register 2 (0x05) Output State of Individual Channels**

D7	D6	D5	D4	D3	D2	D1	D0	FUNCTION
0	0	0	0	1	1	1	1	Output is in Hi-Z mode, not in low-low mode <sup>(1)</sup> , default value.
–	–	–	–	–	–	–	0	Channel 1 Hi-Z mode (0 = not Hi-Z, 1 = Hi-Z)
–	–	–	–	–	–	0	–	Channel 2 Hi-Z mode (0 = not Hi-Z, 1 = Hi-Z)
–	–	–	–	–	0	–	–	Channel 3 Hi-Z mode (0 = not Hi-Z, 1 = Hi-Z)
–	–	–	–	0	–	–	–	Channel 4 Hi-Z mode (0 = not Hi-Z, 1 = Hi-Z)
–	–	–	1	–	–	–	–	Channel 1 low-low mode (0 = not low-low, 1 = low-low) <sup>(1)</sup>
–	–	1	–	–	–	–	–	Channel 2 low-low mode (0 = not low-low, 1 = low-low) <sup>(1)</sup>
–	1	–	–	–	–	–	–	Channel 3 low-low mode (0 = not low-low, 1 = low-low) <sup>(1)</sup>
1	–	–	–	–	–	–	–	Channel 4 low-low mode (0 = not low-low, 1 = low-low) <sup>(1)</sup>

(1) Low-low is defined as both outputs actively pulled to ground.

**Table 14. External Status Register 3 (0x06) Play and Mute Modes**

D7	D6	D5	D4	D3	D2	D1	D0	FUNCTION
0	0	0	0	0	0	0	0	Mute mode is disabled, play mode disabled, default value, (Hi-Z mode).
–	–	–	–	–	–	–	1	Channel 1 play mode is enabled.
–	–	–	–	–	–	1	–	Channel 2 play mode is enabled.
–	–	–	–	–	1	–	–	Channel 3 play mode is enabled.
–	–	–	–	1	–	–	–	Channel 4 play mode is enabled.
–	–	–	1	–	–	–	–	Channel 1 mute mode is enabled.
–	–	1	–	–	–	–	–	Channel 2 mute mode is enabled.
–	1	–	–	–	–	–	–	Channel 3 mute mode is enabled.
1	–	–	–	–	–	–	–	Channel 4 mute mode is enabled.

**Table 15. External Status Register 4 (0x07) Load Diagnostics**

D7	D6	D5	D4	D3	D2	D1	D0	FUNCTION
0	0	0	0	0	0	0	0	No channels are set in load diagnostics mode, default value.
–	–	–	–	–	–	–	1	Channel 1 is in load diagnostics mode.
–	–	–	–	–	–	1	–	Channel 2 is in load diagnostics mode.
–	–	–	–	–	1	–	–	Channel 3 is in load diagnostics mode.
–	–	–	–	1	–	–	–	Channel 4 is in load diagnostics mode.
–	–	–	1	–	–	–	–	Channel 1 is in overtemperature foldback.
–	–	1	–	–	–	–	–	Channel 2 is in overtemperature foldback.
–	1	–	–	–	–	–	–	Channel 3 is in overtemperature foldback.
1	–	–	–	–	–	–	–	Channel 4 is in overtemperature foldback.

**Table 16. External Control Register 1 (0x08) Gain Select**

D7	D6	D5	D4	D3	D2	D1	D0	FUNCTION
1	0	1	0	1	0	1	0	Set gain for all channels to 26 dB, default value.
–	–	–	–	–	–	0	0	Set channel 1 gain to 12 dB.
–	–	–	–	–	–	0	1	Set channel 1 gain to 20 dB.
–	–	–	–	–	–	1	1	Set channel 1 gain to 32 dB.
–	–	–	–	0	0	–	–	Set channel 2 gain to 12 dB.
–	–	–	–	0	1	–	–	Set channel 2 gain to 20 dB.
–	–	–	–	1	1	–	–	Set channel 2 gain to 32 dB.
–	–	0	0	–	–	–	–	Set channel 3 gain to 12 dB.
–	–	0	1	–	–	–	–	Set channel 3 gain to 20 dB.
–	–	1	1	–	–	–	–	Set channel 3 gain to 32 dB.

**Table 16. External Control Register 1 (0x08) Gain Select (continued)**

D7	D6	D5	D4	D3	D2	D1	D0	FUNCTION
0	0	–	–	–	–	–	–	Set channel 4 gain to 12 dB.
0	1	–	–	–	–	–	–	Set channel 4 gain to 20 dB.
1	1	–	–	–	–	–	–	Set channel 4 gain to 32 dB.

**Table 17. External Control Register 2 (0x09) Overcurrent Control**

D7	D6	D5	D4	D3	D2	D1	D0	FUNCTION
1	1	1	1	0	0	0	0	Current limit level 2 for all channels, thermal foldback is active.
–	–	–	–	–	–	–	1	Disable thermal foldback
–	–	–	0	–	–	–	–	Set channel 1 overcurrent limit ( 0 - level 1, 1 - level 2)
–	–	0	–	–	–	–	–	Set channel 2 overcurrent limit ( 0 - level 1, 1 - level 2)
–	0	–	–	–	–	–	–	Set channel 3 overcurrent limit ( 0 - level 1, 1 - level 2)
0	–	–	–	–	–	–	–	Set channel 4 overcurrent limit ( 0 - level 1, 1 - level 2)
–	–	–	–	1	1	1	–	Reserved

**Table 18. External Control Register 3 (0x0A) Switching Frequency Select and Clip\_OTW Configuration**

D7	D6	D5	D4	D3	D2	D1	D0	FUNCTION
0	0	0	0	1	1	0	1	Set $f_s = 417$ kHz, report clip and OTW, 45° phase, disable hard stop, CLIP_OTW pin does not report thermal foldback.
–	–	–	–	–	–	0	0	Set $f_s = 500$ kHz
–	–	–	–	–	–	1	0	Set $f_s = 357$ kHz
–	–	–	–	–	–	1	1	Invalid frequency selection (do not set)
–	–	–	–	0	0	–	–	Configure $\overline{\text{CLIP\_OTW}}$ pin to report tweeter detect only.
–	–	–	–	0	1	–	–	Configure $\overline{\text{CLIP\_OTW}}$ pin to report clip detect only.
–	–	–	–	1	0	–	–	Configure $\overline{\text{CLIP\_OTW}}$ pin to report overtemperature warning only.
–	–	–	1	–	–	–	–	Enable hard-stop mode.
–	–	1	–	–	–	–	–	Set $f_s$ to a 180° phase difference between adjacent channels.
–	1	–	–	–	–	–	–	Send sync pulse from OSC_SYNC pin (device must be in master mode).
1	–	–	–	1	–	–	–	Configure $\overline{\text{CLIP\_OTW}}$ pin to report thermal foldback

**Table 19. External Control Register 4 (0x0B) Load Diagnostics and Master/Slave Control**

D7	D6	D5	D4	D3	D2	D1	D0	FUNCTION
0	1	0	1	0	0	0	0	Clock output disabled, master clock mode, dc detection enabled, load diagnostics disabled
–	–	–	–	–	–	–	1	Run channel 1 load diagnostics
–	–	–	–	–	–	1	–	Run channel 2 load diagnostics
–	–	–	–	–	1	–	–	Run channel 3 load diagnostics
–	–	–	–	1	–	–	–	Run channel 4 load diagnostics
–	–	–	0	–	–	–	–	Disable dc detection on all channels
–	–	1	–	–	–	–	–	Enable tweeter-detect mode
–	0	–	–	–	–	–	–	Enable slave mode (external oscillator is necessary)
1	–	–	–	–	–	–	–	Enable clock output on OSC_SYNC pin (valid only in master mode)

**Table 20. External Control Register 5 (0x0C) Output Control**

D7	D6	D5	D4	D3	D2	D1	D0	FUNCTION
0	0	0	1	1	1	1	1	All channels, Hi-Z, mute, reset disabled, dc detect is enabled
–	–	–	–	–	–	–	0	Set channel 1 to mute mode, non-Hi-Z
–	–	–	–	–	–	0	–	Set channel 2 to mute mode, non-Hi-Z
–	–	–	–	–	0	–	–	Set channel 3 to mute mode, non-Hi-Z
–	–	–	–	0	–	–	–	Set channel 4 to mute mode, non-Hi-Z
–	–	–	0	–	–	–	–	Set non-Hi-Z channels to play mode, (unmute)
–	–	1	–	–	–	–	–	DC detect shutdown disabled, but still reports a fault
–	1	–	–	–	–	–	–	Reserved
1	–	–	–	–	–	–	–	Reset device

**Table 21. External Control Register 6 (0x0D) Output Control**

D7	D6	D5	D4	D3	D2	D1	D0	FUNCTION
0	0	0	0	0	0	0	0	Low-low state disabled, all channels
–	–	–	–	–	–	–	1	Set channel 1 to low-low state
–	–	–	–	–	–	1	–	Set channel 2 to low-low state
–	–	–	–	–	1	–	–	Set channel 3 to low-low state
–	–	–	–	1	–	–	–	Set channel 4 to low-low state
–	–	–	1	–	–	–	–	Connect channel 1 and channel 2 for parallel BTL mode
–	–	1	–	–	–	–	–	Connect channel 3 and channel 4 for parallel BTL mode
1	1	–	–	–	–	–	–	Reserved

**Table 22. External Control Register 7 (0x10) Miscellaneous Selection**

D7	D6	D5	D4	D3	D2	D1	D0	FUNCTION
0	0	0	0	0	0	0	1	Normal speed CM ramp, normal S2P & S2G timing, no delay between LDG phases, Crosstalk Enhancement Disabled, Default DC detect value (1.6V)
–	–	–	–	–	–	0	0	Minimum DC detect value (0.8 V)
–	–	–	–	–	–	1	0	Maximum DC detect value (2.4 V)
–	–	–	–	–	1	–	–	Enable crosstalk enhancement
–	–	–	–	1	–	–	–	Adds a 20-ms delay between load diagnostic phases
–	–	–	1	–	–	–	–	Short-to-power (S2P) and short-to-ground (S2G) load-diagnostic phases take 4x longer
–	–	1	–	–	–	–	–	Slow common-mode ramp, increase the default time by 3x
–	1	–	–	–	–	–	–	Reserved
1	–	–	–	–	–	–	–	Slower common-mode (CM) ramp-down from mute mode

**Table 23. External Status Register 5 (0x13) Overtemperature and Thermal Foldback Status**

D7	D6	D5	D4	D3	D2	D1	D0	FUNCTION
0	0	0	0	0	0	0	0	Default overtemperature foldback status, no channel is in foldback
–	–	–	–	–	–	–	1	Channel 1 in thermal foldback
–	–	–	–	–	–	1	–	Channel 2 in thermal foldback
–	–	–	–	–	1	–	–	Channel 3 in thermal foldback
–	–	–	–	1	–	–	–	Channel 4 in thermal foldback
–	–	–	1	–	–	–	–	Channel 1 in overtemperature shutdown
–	–	1	–	–	–	–	–	Channel 2 in overtemperature shutdown
–	1	–	–	–	–	–	–	Channel 3 in overtemperature shutdown
1	–	–	–	–	–	–	–	Channel 4 in overtemperature shutdown

## 8 Application and Implementation

### NOTE

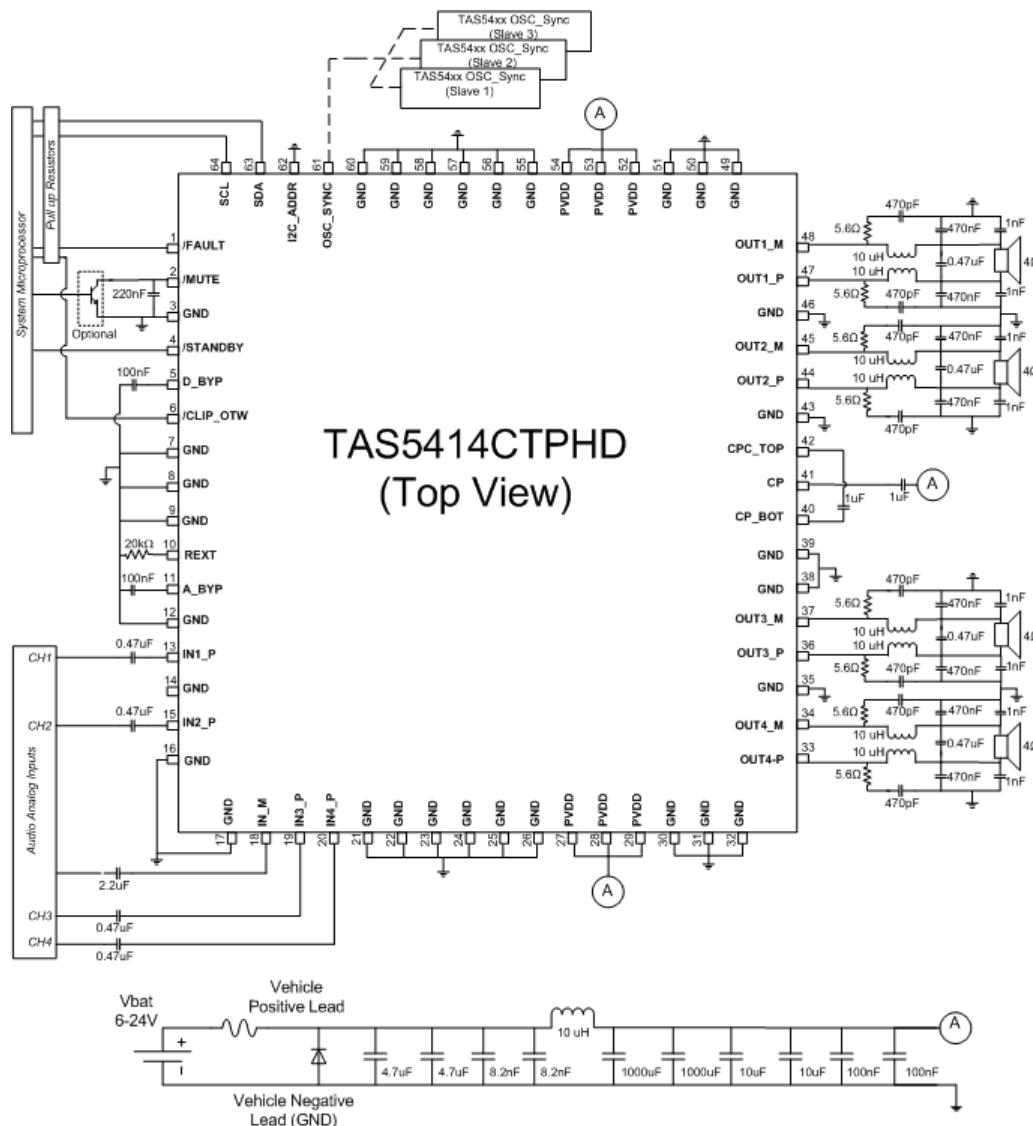
Information in the following applications sections is not part of the TI component specification, and TI does not warrant its accuracy or completeness. TI's customers are responsible for determining suitability of components for their purposes. Customers should validate and test their design implementation to confirm system functionality.

### 8.1 Application Information

The TAS5414C-Q1 and TAS5424C-Q1 are four-channel digital audio amplifiers designed for use in automotive head units and external amplifier modules. The device incorporates all the functionality needed to perform in the demanding OEM applications area.

### 8.2 Typical Application

Figure 21 shows a typical application circuit for the TAS5414C-Q1.



**Figure 21. TAS5414C-Q1 Typical Application Schematic**



## Typical Application (continued)

### 8.2.1 Design Requirements

- Power Supplies

The device needs only a single power supply compliant with the recommended operation range. The device is designed to work with either a vehicle battery or regulated boost power supply.

- Communication

The device communicates with the system controller with both discrete hardware control pins and with I<sup>2</sup>C. The device is an I<sup>2</sup>C slave and thus requires a master. If a master I<sup>2</sup>C-compliant device is not present in the system, it is still possible to use the device, but only with the default settings. Diagnostic information is limited to the discrete reporting  $\overline{\text{FAULT}}$  pin.

- External Components

[Table 24](#) lists the components required for the device.

**Table 24. Supporting Components**

EVM Designator	Quantity	Value	Size	Description	Use in Application
C37, C39, C48, C52	4	0.47 $\mu\text{F} \pm 10\%$	1206	Film, 16-V	Analog audio input filter, bypass
C5, C6, C7, C8	4	330 $\mu\text{F} \pm 20\%$	10 mm	Low-ESR aluminum capacitor, 35-V	Power supply
C9, C10, C50, C51, C27, C28	6	1 $\mu\text{F} \pm 10\%$	0805	X7R ceramic capacitor, 50-V	Power supply
C53, C55	2	1 $\mu\text{F} \pm 10\%$	0805	Film, 16-V	Analog audio input filter, bypass
C14, C23, C32, C43	4	470nF $\pm 10\%$	0805	X7R ceramic capacitor, 50-V	Amplifier output filtering
C11, C15, C20, C24, C29, C34, C40, C45	8	470 pF $\pm 10\%$	0603	X7R ceramic capacitor, 50-V	Amplifier output snubbers
C19, C33	2	0.1 $\mu\text{F} \pm 10\%$	0603	X7R ceramic capacitor, 25-V	Power supply
C4	1	2200 pF $\pm 10\%$	0603	X7R ceramic capacitor, 50-V	Power supply
C3	1	0.082 $\mu\text{F} \pm 10\%$	0603	X7R ceramic capacitor, 25-V	Power supply
C1, C2	2	4.7 $\mu\text{F} \pm 10\%$	1206	X7R ceramic capacitor, 25-V	Power supply
C12, C16, C21, C25, C30, C35, C41, C46	8	0.47 $\mu\text{F} \pm 10\%$	0603	X7R ceramic capacitor, 25-V	Output EMI filtering
C18	1	220nF $\pm 10\%$	0603	X7R ceramic capacitor, 25-V	Mute timing
L1	1	10 $\mu\text{H} \pm 20\%$	13.5 mm x 13.5 mm	Shielded ferrite inductor	Power supply
L2, L3, L4, L5	4	10 $\mu\text{H} \pm 20\%$	12 mm x 14 mm	Dual inductor	Amplifier output filtering
R5, R6, R7	3	49.9 k $\Omega \pm 1\%$	0805	Resistors, 0.125-W	Analog audio input filter
R8, R10, R12, R14, R17, R19, R26, R29	8	5.6 $\Omega \pm 5\%$	0805	Resistors, 0.125-W	Output snubbers
R16	1	20.0 k $\Omega \pm 1\%$	0805	Resistors, 0.125-W	Power supply

### 8.2.2 Detailed Design Procedure

#### 8.2.2.1 Hardware and Software Design

- Step 1: Hardware Schematic Design: Using the Typical Application Schematic as a guide, integrate the hardware into the system schematic.
- Step 2: Following the recommended layout guidelines, integrate the device and its supporting components into the system PCB file.
- Step 3: Thermal Design: The device has an exposed thermal pad which requires proper soldering. For more information, see the *Semiconductor and IC Package Thermal Metrics*, [SPRA953](#), and the *PowerPAD Thermally Enhanced Package*, [SLMA002G](#), application reports.
- Step 4: Develop software: The EVM User's Guide has detailed instructions for how to set up the device, interpret diagnostic information, and so forth. For information about control registers, see the [Table 7](#) section.
- For questions and support go to the [E2E forums](#).

### 8.2.2.2 Parallel Operation (PBTL)

The device can drive more current by paralleling BTL channels on the load side of the LC output filter. Parallel operation requires identical I<sup>2</sup>C settings for any two paralleled channels in order to have reliable system performance and even power dissipation on multiple channels. For smooth power up, power down, and mute operation, the same control commands (such as mute, play, Hi-Z, and so on) should be sent to the paralleled channels at the same time. The device also supports load diagnostics for parallel connection. There is no support for paralleling on the device side of the LC output filter, which can result in device failure. When paralleling channels, use the parallel BTL I<sup>2</sup>C control bits in register 0x0D. Parallel channels 1 and 2, and/or channels 3 and 4. Setting these bits allows the thermal foldback to react on both channels equally. Provide the audio input to channel 2 if paralleling channels 1 and 2, and channel 3 if paralleling channels 3 and 4.

### 8.2.2.3 Input Filter Design

For the TAS5424C-Q1 device, the input filters for the P and M inputs of a single channel should be identical. For the TAS5414C-Q1, the IN\_M pin should have an impedance to GND that is equivalent to the parallel combination of the input impedances of all IN\_P channels combined, including any source impedance from the previous stage in the system design. For example, if each of the four IN\_P channels have a 1- $\mu$ F dc blocking capacitor, 1 k $\Omega$  of series resistance due to an input RC filter, and 1 k $\Omega$  of source resistance from the DAC supplying the audio signal, then the IN\_M channel should have a 4- $\mu$ F capacitor in series with a 500- $\Omega$  resistor to GND ( $4 \times 1 \mu\text{F}$  in parallel = 4  $\mu\text{F}$ ;  $4 \times 2 \text{ k}\Omega$  in parallel = 500  $\Omega$ ).

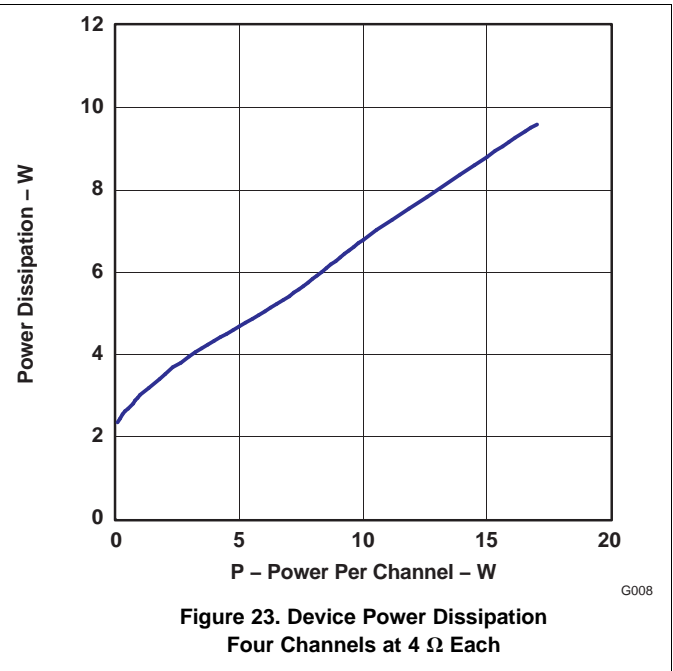
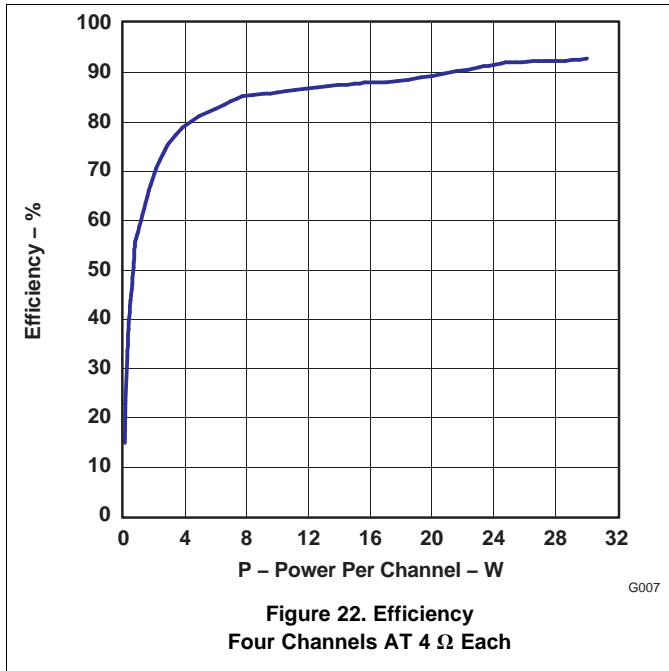
### 8.2.2.4 Amplifier Output Filtering

The output FETs drive the amplifier outputs in an H-bridge configuration. These transistors are either fully off or on. The result is a square-wave output signal with a duty cycle that is proportional to the amplitude of the audio signal. The amplifier outputs require a low-pass filter to filter out the PWM modulation carrier frequency. People frequently call this filter the L-C filter, due to the presence of an inductive element L and a capacitive element C to make up the 2-pole low-pass filter. The L-C filter attenuates the carrier frequency, reducing electromagnetic emissions and smoothing the current waveform which the load draws from the power supply. See the *Class-D LC Filter Design* application report, [SLOA119](#), for a detailed description on proper component selection and design of an L-C filter based upon the desired load and response.

### 8.2.2.5 Line Driver Applications

In many automotive audio applications, the end user would like to use the same head unit to drive either a speaker (with several ohms of impedance) or an external amplifier (with several kilohms of impedance). The design is capable of supporting both applications; however, the one must design the output filter and system to handle the expected output load conditions.

### 8.2.3 Application Curves



## 9 Power Supply Recommendations

A car battery that can have a large voltage range most commonly provides the power for the device. PVDD is a filtered battery voltage, and it is the supply for the output FETS and the low-side FET gate driver. The supply for the high-side FET gate driver comes from a charge pump (CP). The charge pump supplies the gate-drive voltage for all four channels. AVDD, provided by an internal linear regulator powers the analog circuitry. This supply requires 0.1- $\mu$ F, 10-V external bypass capacitor at the A\_BYP pin. TI recommends not connecting any external components except the bypass capacitor to this pin. DVDD, which comes from an internal linear regulator, powers the digital circuitry. The D\_BYP pin requires a 0.1- $\mu$ F, 10-V external bypass capacitor. TI recommends not connecting any external components except the bypass capacitor to this pin.

The TAS5414C-Q1 and TAS5424C-Q1 can withstand fortuitous open-ground and -power conditions. Fortuitous open ground usually occurs when a speaker wire shorts to ground, allowing for a second ground path through the body diode in the output FETs. The diagnostic capability allows debugging of the speakers and speaker wires, eliminating the need to remove the amplifier to diagnose the problem.

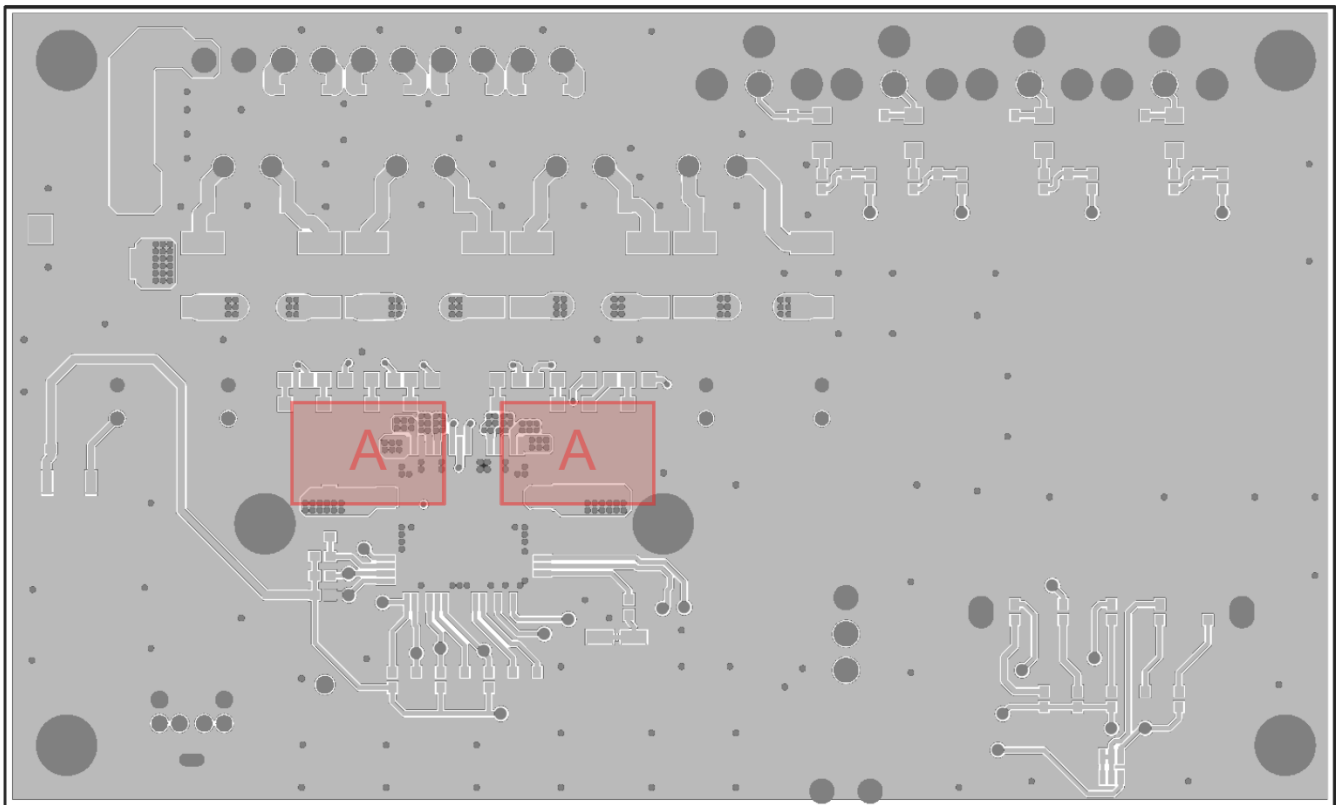
## 10 Layout

### 10.1 Layout Guidelines

- The EVM layout optimizes for low noise and EMC performance.
- The TAS5414C-Q1 and TAS5424C-Q1 device has a thermal pad up, so a the layout must take into account an external heatsink.
- Layout also affects EMC performance.
- The EVM PCB illustrations form the basis for the layout discussions.

### 10.2 Layout Example

The areas indicated by the label "A", are critical to proper operation and EMC layout. The PVDD and ground decoupling capacitors should be close to the device. These decoupling capacitors must be on both groups of PVDD pins to ground. The ground connections of the snubber circuits must also be close to the grounds of the device. The grounds of the decoupling caps and the snubber circuits do not pass through vias before connecting to the device ground. This reduces the ground impedance for EMC mitigation.



**Figure 24. Top Layer**

### Layout Example (continued)

The area referenced as "B" are nets in the PCB layout that have large high frequency switching signals. These should be buried on an inner layer with ground planes on layers above and below to mitigate EMC.

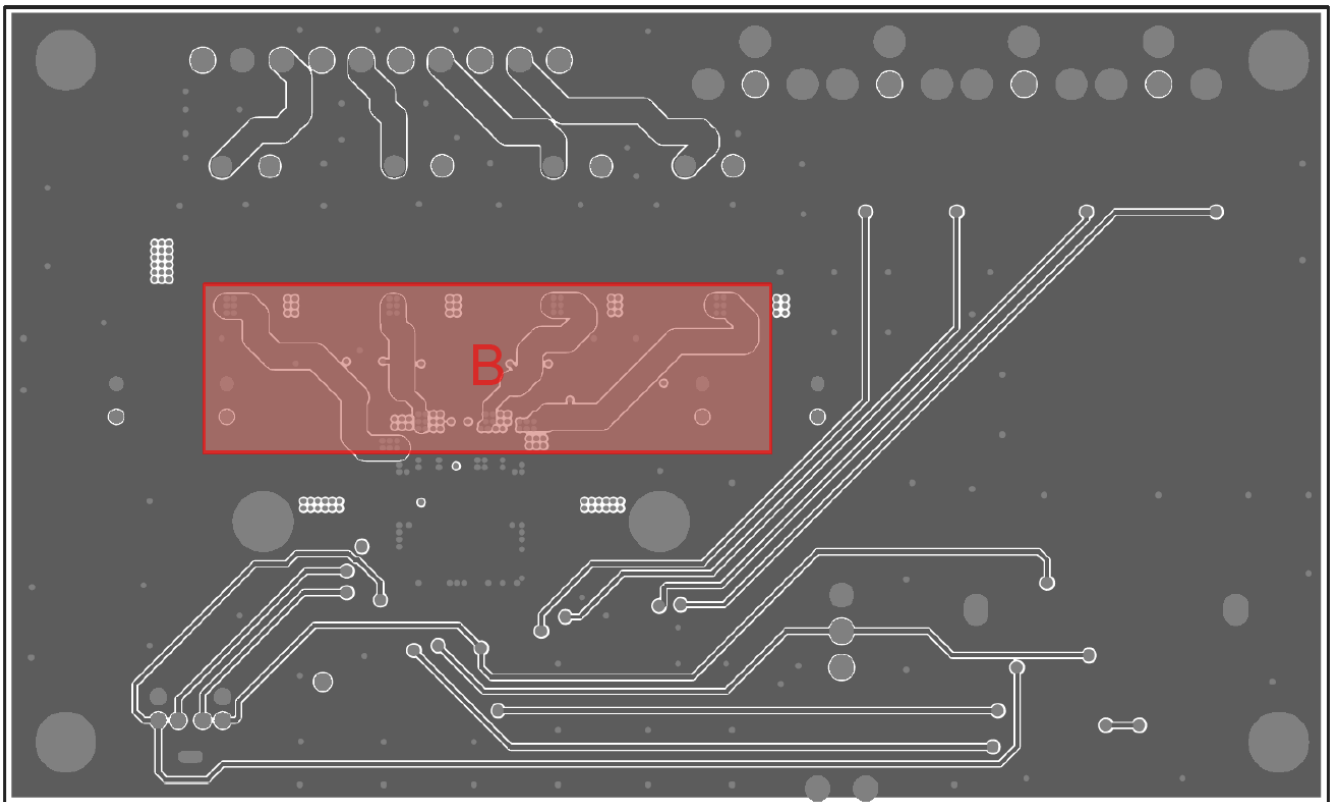
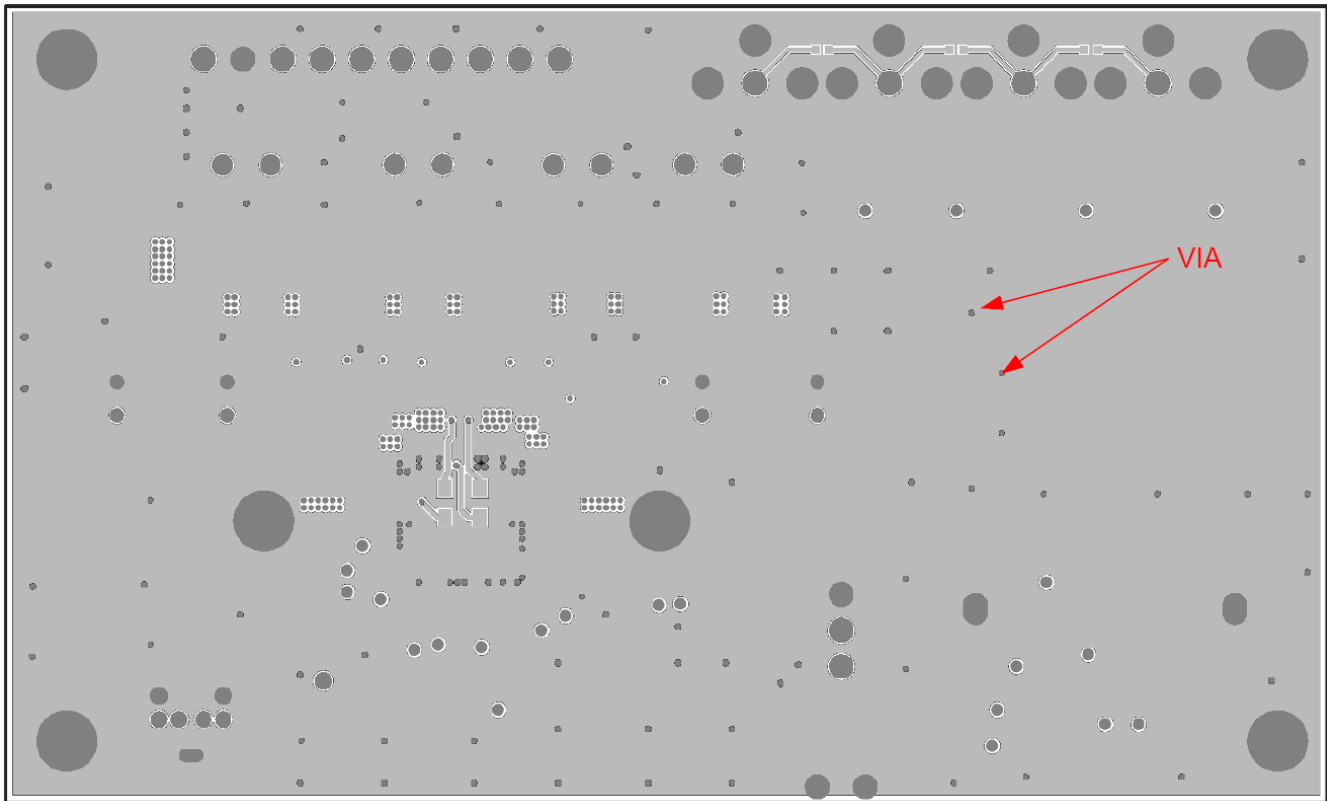


Figure 25. A Mid Layer

### Layout Example (continued)

The bottom layer in the EVM is almost all ground plane. It can be seen that the other layers have ground planes that fill unused areas. All these ground planes need to be connected together through many vias to reduce the impedance between the ground layers. This allows for reduced EMI.



**Figure 26. Bottom Layer**

### 10.3 Thermal Consideration

The design of the thermally augmented package is for interface directly to heat sinks using a thermal interface compound (for example, Arctic Silver, Ceramique thermal compound). The heat sink then absorbs heat from the ICs and couples it to the local air. With proper thermal management this process can reach equilibrium at a lower temperature and heat can be continually removed from the ICs. Because of the device efficiency, heat sinks can be smaller than those required for linear amplifiers of equivalent performance.

$R_{\theta JA}$  is a system thermal resistance from junction to ambient air. As such, it is a system parameter with the following components:

- $R_{\theta JC}$  (the thermal resistance from junction to case, or in this case the heat slug)
- Thermal resistance of the thermal grease
- Thermal resistance of the heat sink

One can calculate the thermal resistance of the thermal grease from the exposed heat slug area and the manufacturer's value for the area thermal resistance of the thermal grease (expressed in  $^{\circ}\text{C}\text{-in}^2/\text{W}$  or  $^{\circ}\text{C}\text{-mm}^2/\text{W}$ ). The area thermal resistance of the example thermal grease with a 0.001-inch (0.0254-mm) thick layer is about  $0.007^{\circ}\text{C}\text{-in}^2/\text{W}$  ( $4.52^{\circ}\text{C}\text{-mm}^2/\text{W}$ ). The approximate exposed heat slug size is as follows:

44-pin PSOP3	0.124 in <sup>2</sup> (80 mm <sup>2</sup> )
64-pin QFP	0.099 in <sup>2</sup> (64 mm <sup>2</sup> )

Dividing the example area thermal resistance of the thermal grease by the area of the heat slug gives the actual resistance through the thermal grease for both parts:

44-pin PSOP3	0.06 $^{\circ}\text{C}/\text{W}$
64-pin QFP	0.07 $^{\circ}\text{C}/\text{W}$

The thermal resistance of thermal pads is generally considerably higher than a thin thermal-grease layer. Thermal tape has an even higher thermal resistance and should not be used at all. The heat-sink vendor generally predicts heat sink thermal resistance, either modeled using a continuous-flow dynamics (CFD) model, or measured.

Thus, for a single monaural channel in the IC, the system  $R_{\theta JA} = R_{\theta JC} + \text{thermal-grease resistance} + \text{heat-sink resistance}$ .

[Table 25](#) indicates modeled parameters for one device on a heat sink. The junction temperature setting is at 115 $^{\circ}\text{C}$  while delivering 20 watts per channel into 4- $\Omega$  loads with no clipping. The assumed thickness of the thermal grease is about 0.001 inches (0.0254 mm).

**Table 25. QFP Package Modeled Parameters**

DEVICE	64-PIN QFP
Ambient temperature	25 $^{\circ}\text{C}$
Power to load	20 W $\times$ 4
Power dissipation	1.9 W $\times$ 4
$\Delta T$ inside package	7.6 $^{\circ}\text{C}$
$\Delta T$ through thermal grease	0.46 $^{\circ}\text{C}$
Required heatsink thermal resistance	10.78 $^{\circ}\text{C}/\text{W}$
Junction temperature	115 $^{\circ}\text{C}$
System $R_{\theta JA}$	11.85 $^{\circ}\text{C}/\text{W}$
$R_{\theta JA} \times \text{power dissipation}$	90 $^{\circ}\text{C}$

## 10.4 Electrical Connection of Heat Slug and Heat Sink

Electrically connect the heat sink attached to the heat slug of the device to GND, or leave it floating. Do not connect the heat slug to any other electrical node.

## 10.5 EMI Considerations

Automotive-level EMI performance depends on both careful integrated circuit design and good system-level design. Controlling sources of electromagnetic interference (EMI) was a major consideration in all aspects of the design.

The design has minimal parasitic inductances due to the short leads on the package. This dramatically reduces the EMI that results from current passing from the die to the system PCB. Each channel also operates at a different phase. The phase between channels is I<sup>2</sup>C selectable to either 45° or 180°, to reduce EMI caused by high-current switching. The design also incorporates circuitry that optimizes output transitions that cause EMI.



## 11 Device and Documentation Support

### 11.1 Device Support

#### 11.1.1 Third-Party Products Disclaimer

TI'S PUBLICATION OF INFORMATION REGARDING THIRD-PARTY PRODUCTS OR SERVICES DOES NOT CONSTITUTE AN ENDORSEMENT REGARDING THE SUITABILITY OF SUCH PRODUCTS OR SERVICES OR A WARRANTY, REPRESENTATION OR ENDORSEMENT OF SUCH PRODUCTS OR SERVICES, EITHER ALONE OR IN COMBINATION WITH ANY TI PRODUCT OR SERVICE.

#### 11.2 Related Links

The table below lists quick access links. Categories include technical documents, support and community resources, tools and software, and quick access to order now.

**Table 26. Related Links**

PARTS	PRODUCT FOLDER	ORDER NOW	TECHNICAL DOCUMENTS	TOOLS & SOFTWARE	SUPPORT & COMMUNITY
TAS5414C-Q1	<a href="#">Click here</a>	<a href="#">Click here</a>	<a href="#">Click here</a>	<a href="#">Click here</a>	<a href="#">Click here</a>
TAS5424C-Q1	<a href="#">Click here</a>	<a href="#">Click here</a>	<a href="#">Click here</a>	<a href="#">Click here</a>	<a href="#">Click here</a>

#### 11.3 Trademarks

All trademarks are the property of their respective owners.

#### 11.4 Electrostatic Discharge Caution



These devices have limited built-in ESD protection. The leads should be shorted together or the device placed in conductive foam during storage or handling to prevent electrostatic damage to the MOS gates.

#### 11.5 Glossary

[SLYZ022](#) — *TI Glossary*.

This glossary lists and explains terms, acronyms, and definitions.

## 12 Mechanical, Packaging, and Orderable Information

The following pages include mechanical, packaging, and orderable information. This information is the most current data available for the designated devices. This data is subject to change without notice and revision of this document. For browser-based versions of this data sheet, refer to the left-hand navigation.

**PACKAGING INFORMATION**

Orderable Device	Status (1)	Package Type	Package Drawing	Pins	Package Qty	Eco Plan (2)	Lead finish/ Ball material (6)	MSL Peak Temp (3)	Op Temp (°C)	Device Marking (4/5)	Samples
TAS5414CTPHDRQ1	ACTIVE	HTQFP	PHD	64	1000	RoHS & Green	NIPDAU	Level-3-260C-168 HR	-40 to 105	TAS5414CTQ1	<b>Samples</b>
TAS5424CTDKERQ1	ACTIVE	HSSOP	DKE	44	500	RoHS & Green	NIPDAU	Level-3-245C-168 HR	-40 to 105	TAS5424CQ1	<b>Samples</b>

(1) The marketing status values are defined as follows:

**ACTIVE:** Product device recommended for new designs.

**LIFEBUY:** TI has announced that the device will be discontinued, and a lifetime-buy period is in effect.

**NRND:** Not recommended for new designs. Device is in production to support existing customers, but TI does not recommend using this part in a new design.

**PREVIEW:** Device has been announced but is not in production. Samples may or may not be available.

**OBSOLETE:** TI has discontinued the production of the device.

(2) **RoHS:** TI defines "RoHS" to mean semiconductor products that are compliant with the current EU RoHS requirements for all 10 RoHS substances, including the requirement that RoHS substance do not exceed 0.1% by weight in homogeneous materials. Where designed to be soldered at high temperatures, "RoHS" products are suitable for use in specified lead-free processes. TI may reference these types of products as "Pb-Free".

**RoHS Exempt:** TI defines "RoHS Exempt" to mean products that contain lead but are compliant with EU RoHS pursuant to a specific EU RoHS exemption.

**Green:** TI defines "Green" to mean the content of Chlorine (Cl) and Bromine (Br) based flame retardants meet JS709B low halogen requirements of <=1000ppm threshold. Antimony trioxide based flame retardants must also meet the <=1000ppm threshold requirement.

(3) MSL, Peak Temp. - The Moisture Sensitivity Level rating according to the JEDEC industry standard classifications, and peak solder temperature.

(4) There may be additional marking, which relates to the logo, the lot trace code information, or the environmental category on the device.

(5) Multiple Device Markings will be inside parentheses. Only one Device Marking contained in parentheses and separated by a "~" will appear on a device. If a line is indented then it is a continuation of the previous line and the two combined represent the entire Device Marking for that device.

(6) Lead finish/Ball material - Orderable Devices may have multiple material finish options. Finish options are separated by a vertical ruled line. Lead finish/Ball material values may wrap to two lines if the finish value exceeds the maximum column width.

**Important Information and Disclaimer:**The information provided on this page represents TI's knowledge and belief as of the date that it is provided. TI bases its knowledge and belief on information provided by third parties, and makes no representation or warranty as to the accuracy of such information. Efforts are underway to better integrate information from third parties. TI has taken and continues to take reasonable steps to provide representative and accurate information but may not have conducted destructive testing or chemical analysis on incoming materials and chemicals. TI and TI suppliers consider certain information to be proprietary, and thus CAS numbers and other limited information may not be available for release.

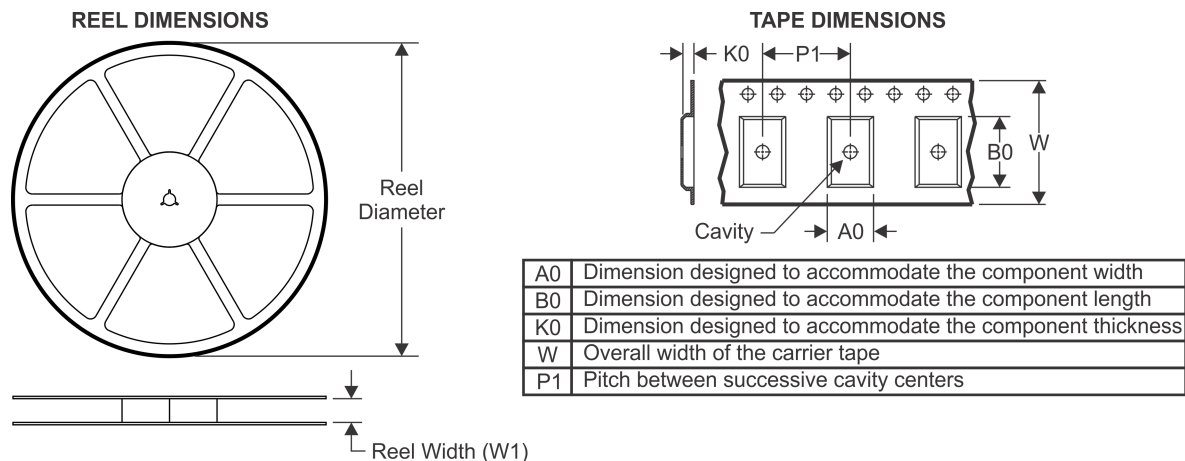
In no event shall TI's liability arising out of such information exceed the total purchase price of the TI part(s) at issue in this document sold by TI to Customer on an annual basis.

**OTHER QUALIFIED VERSIONS OF TAS5414C-Q1 :**

- Catalog: [TAS5414C](#)

## NOTE: Qualified Version Definitions:

- Catalog - TI's standard catalog product

**TAPE AND REEL INFORMATION**

**QUADRANT ASSIGNMENTS FOR PIN 1 ORIENTATION IN TAPE**


\*All dimensions are nominal

Device	Package Type	Package Drawing	Pins	SPQ	Reel Diameter (mm)	Reel Width W1 (mm)	A0 (mm)	B0 (mm)	K0 (mm)	P1 (mm)	W (mm)	Pin1 Quadrant
TAS5424CTDKERQ1	HSSOP	DKE	44	500	330.0	24.4	14.7	16.4	4.0	20.0	24.0	Q1

**TAPE AND REEL BOX DIMENSIONS**


\*All dimensions are nominal

Device	Package Type	Package Drawing	Pins	SPQ	Length (mm)	Width (mm)	Height (mm)
TAS5424CTDKERQ1	HSSOP	DKE	44	500	350.0	350.0	43.0

## GENERIC PACKAGE VIEW

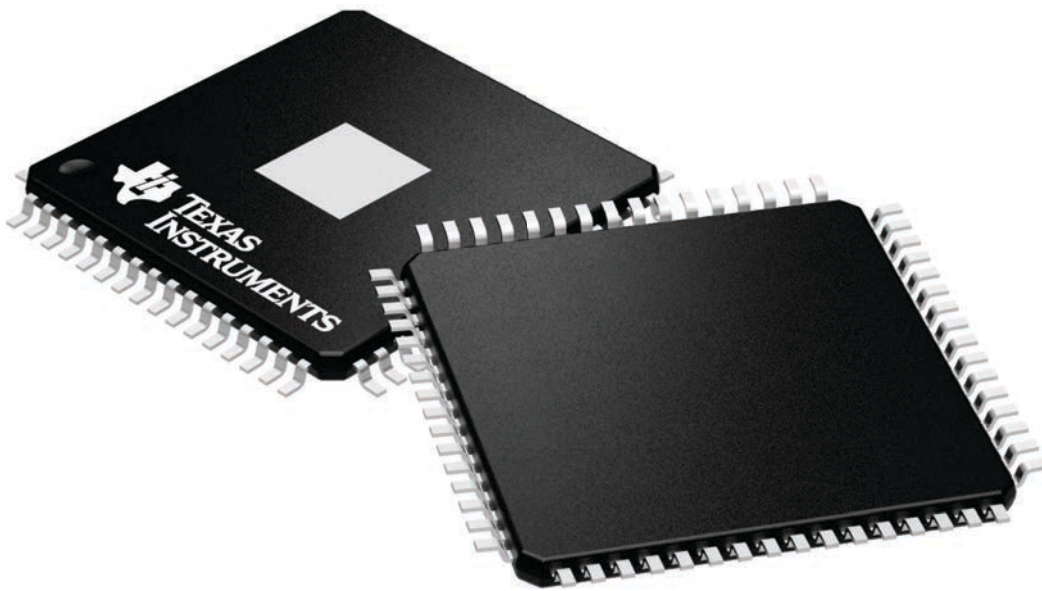
**PHD 64**

**HTQFP - 1.20 mm max height**

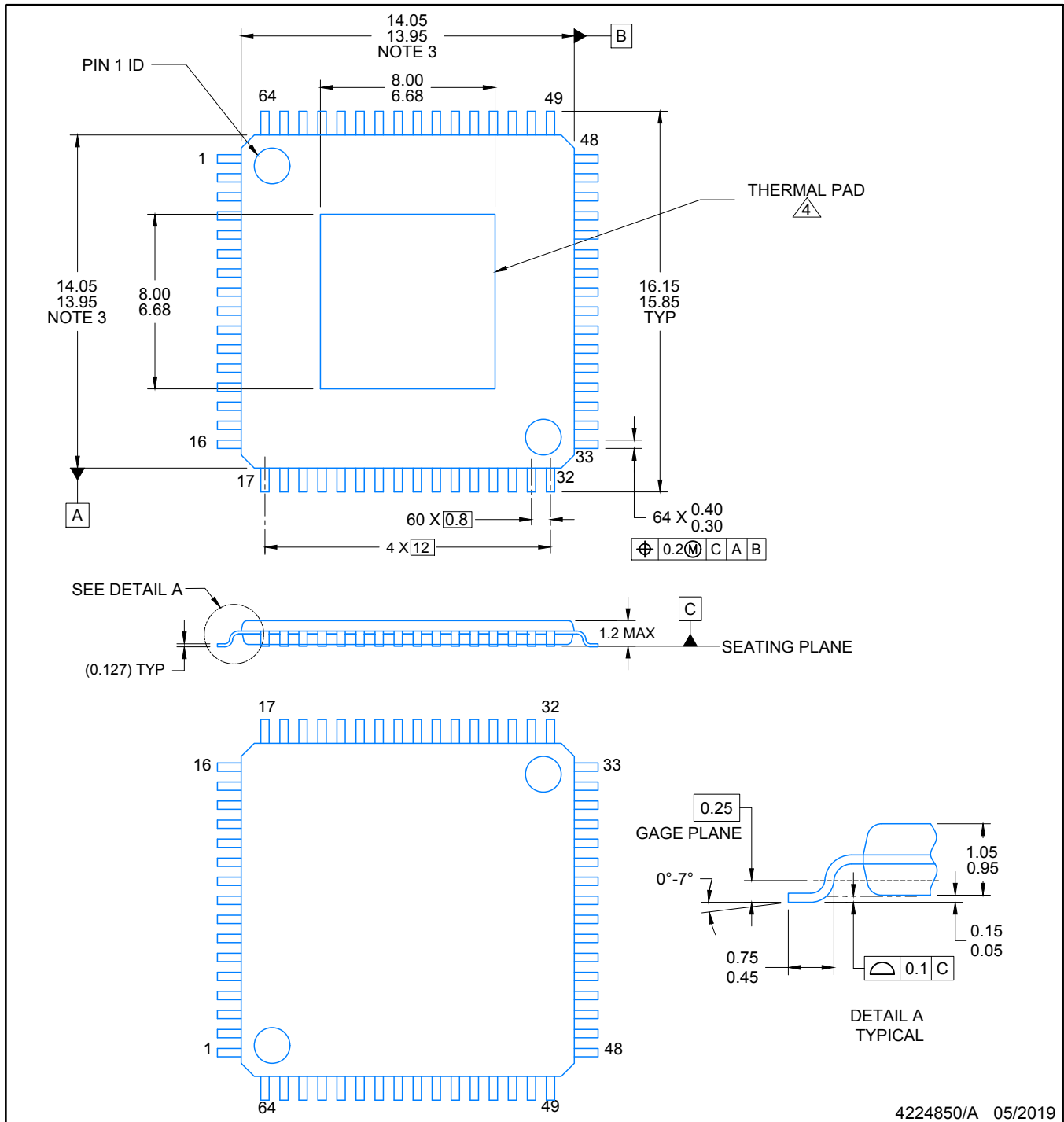
14 x 14, 0.8 mm pitch

QUAD FLATPACK

This image is a representation of the package family, actual package may vary.  
Refer to the product data sheet for package details.



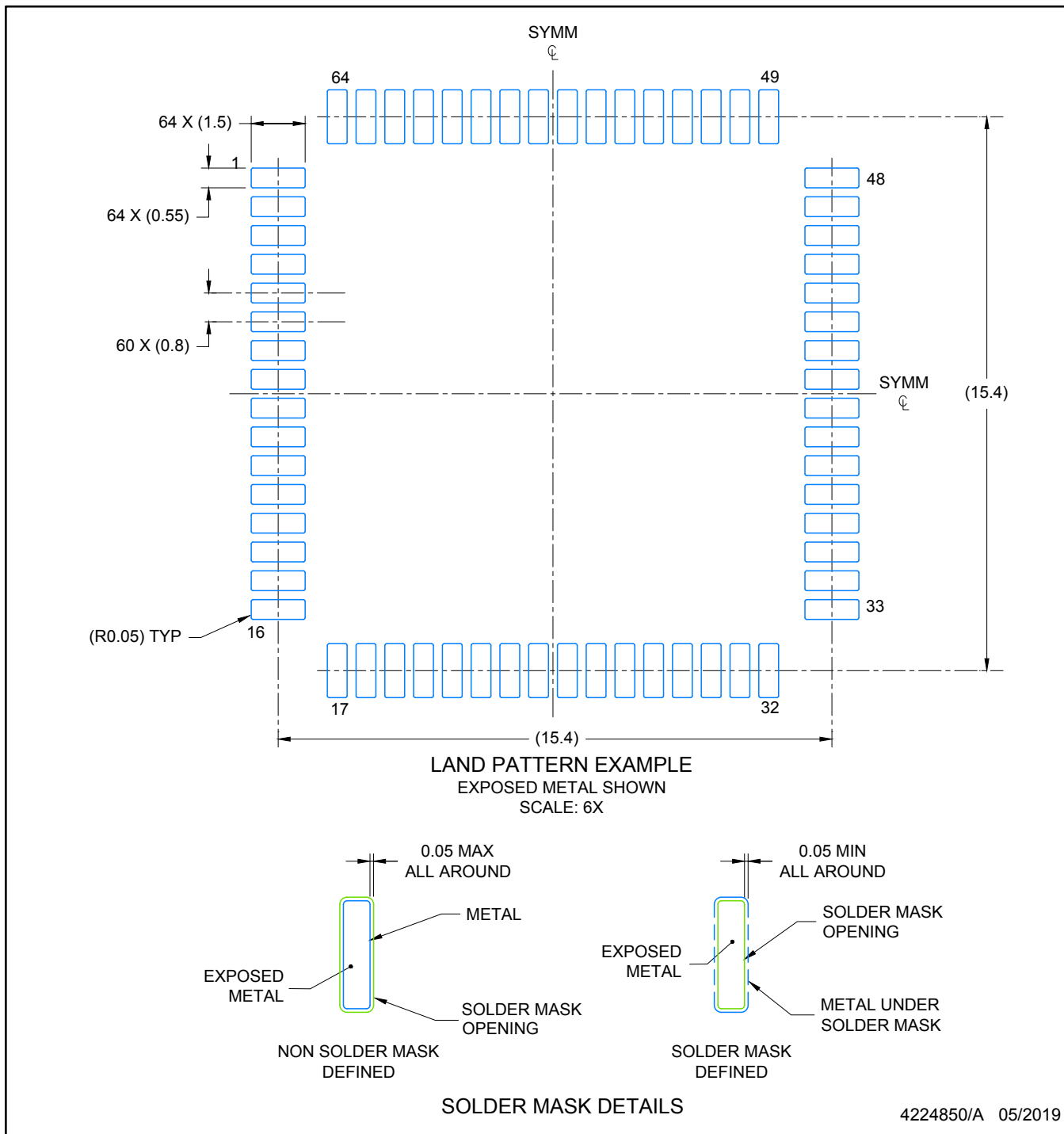
4224851/A



4224850/A 05/2019

NOTES:

1. All linear dimensions are in millimeters. Any dimensions in parenthesis are for reference only. Dimensioning and tolerancing per ASME Y14.5M.
2. This drawing is subject to change without notice.
3. This dimension does not include mold flash, protrusions, or gate burrs. Mold flash, protrusions, or gate burrs shall not exceed 0.15 per side.
4. See technical brief, PowerPad Thermally Enhanced Package, Texas Instruments Literature No. SLMA002 ([www.ti.com/lit/slma002](http://www.ti.com/lit/slma002)) and SLMA004 ([www.ti.com/lit/slma004](http://www.ti.com/lit/slma004)) for information regarding recommended board layout.



NOTES: (continued)

5. Publication IPC-7351 may have alternate designs.
6. Solder mask tolerances between and around signal pads can vary based on board fabrication site.
7. Vias are optional depending on application, refer to device data sheet. It is recommended that vias under paste be filled, plugged or tented.

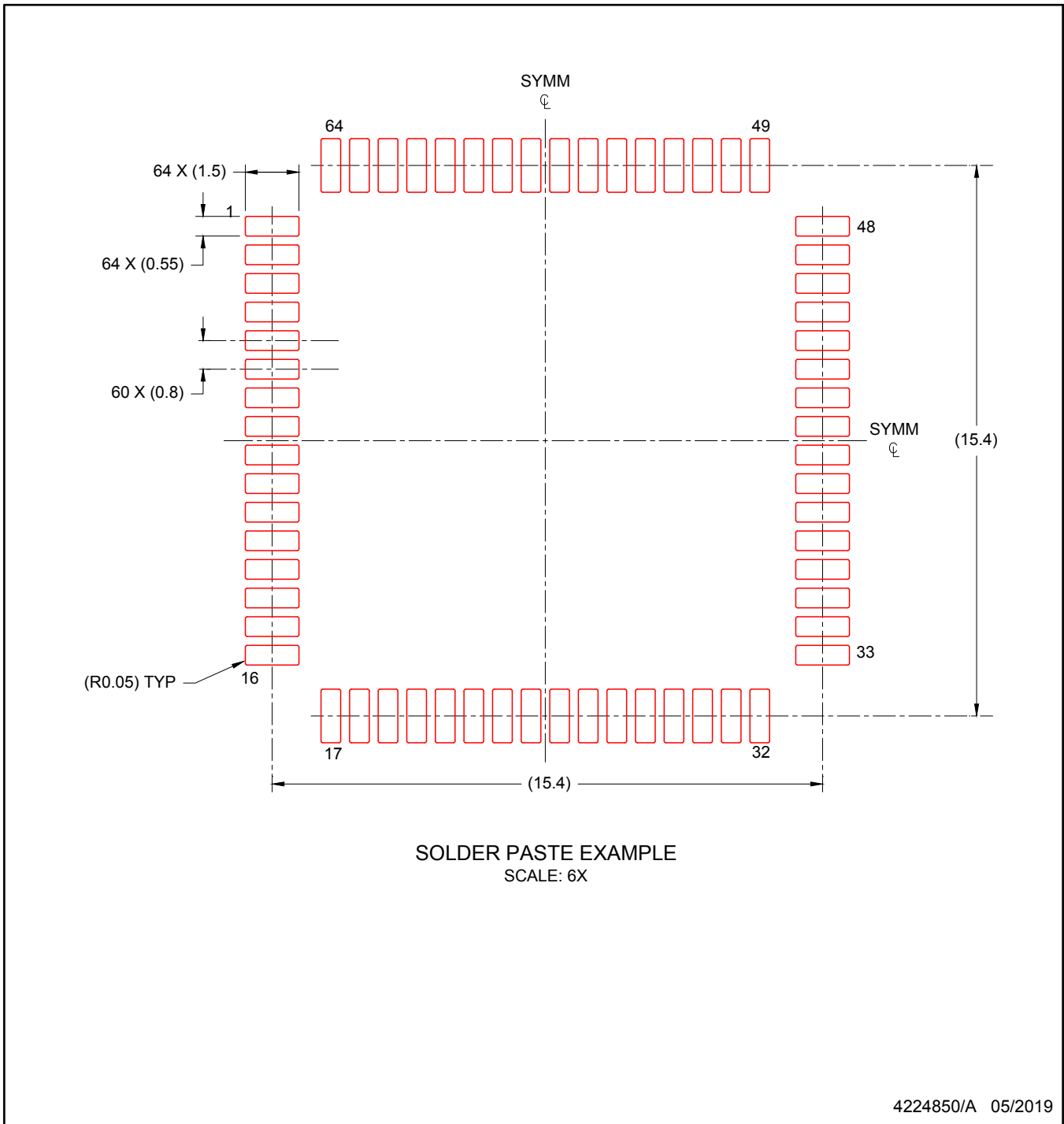


# EXAMPLE STENCIL DESIGN

HTQFP - 1.2 mm max height

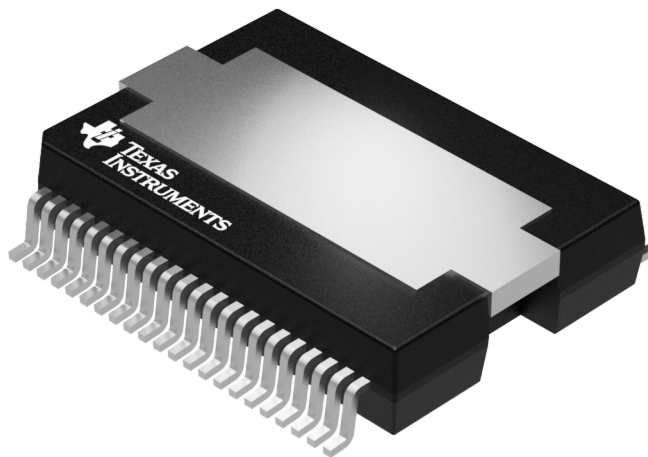
PHD0064B

PLASTIC QUAD FLATPACK



NOTES: (continued)

7. Laser cutting apertures with trapezoidal walls and rounded corners may offer better paste release. IPC-7525 may have alternate design recommendations.
8. Board assembly site may have different recommendations for stencil design.



Images above are just a representation of the package family, actual package may vary.  
Refer to the product data sheet for package details.

## IMPORTANT NOTICE AND DISCLAIMER

TI PROVIDES TECHNICAL AND RELIABILITY DATA (INCLUDING DATA SHEETS), DESIGN RESOURCES (INCLUDING REFERENCE DESIGNS), APPLICATION OR OTHER DESIGN ADVICE, WEB TOOLS, SAFETY INFORMATION, AND OTHER RESOURCES "AS IS" AND WITH ALL FAULTS, AND DISCLAIMS ALL WARRANTIES, EXPRESS AND IMPLIED, INCLUDING WITHOUT LIMITATION ANY IMPLIED WARRANTIES OF MERCHANTABILITY, FITNESS FOR A PARTICULAR PURPOSE OR NON-INFRINGEMENT OF THIRD PARTY INTELLECTUAL PROPERTY RIGHTS.

These resources are intended for skilled developers designing with TI products. You are solely responsible for (1) selecting the appropriate TI products for your application, (2) designing, validating and testing your application, and (3) ensuring your application meets applicable standards, and any other safety, security, regulatory or other requirements.

These resources are subject to change without notice. TI grants you permission to use these resources only for development of an application that uses the TI products described in the resource. Other reproduction and display of these resources is prohibited. No license is granted to any other TI intellectual property right or to any third party intellectual property right. TI disclaims responsibility for, and you will fully indemnify TI and its representatives against, any claims, damages, costs, losses, and liabilities arising out of your use of these resources.

TI's products are provided subject to [TI's Terms of Sale](#) or other applicable terms available either on [ti.com](http://ti.com) or provided in conjunction with such TI products. TI's provision of these resources does not expand or otherwise alter TI's applicable warranties or warranty disclaimers for TI products.

TI objects to and rejects any additional or different terms you may have proposed.

Mailing Address: Texas Instruments, Post Office Box 655303, Dallas, Texas 75265  
Copyright © 2021, Texas Instruments Incorporated