

# Choose the Right Accelerometer for Predictive Maintenance

Bertrand Campagnie  
Analog Devices, Inc.

Maintenance, traditionally preventive or corrective, usually represents a significant portion of production costs. Now, having the IIoT (Industrial Internet of Things) monitoring a machine's health status helps enable predictive maintenance, which allows industries to anticipate breakdowns and realize substantial operational savings.

Industry 4.0, made possible by the generalization of digitization and connectivity for industrial equipment, is on track to revolutionize production tools. This game changer makes the production chain more flexible and allows for the manufacture of customized products, while maintaining earnings. Maintenance, too, can benefit from the advantages of digitization and connectivity of the IIoT. Instead of replacing worn parts at fixed intervals, the use of sensors—particularly accelerometers—makes it possible to analyze a machine's operational status. Within the predictive maintenance framework, the operator need only intervene if certain early warning symptoms occur. Known as condition-based monitoring (CbM), this analysis of the machine's health status will limit maintenance costs when compared with a systematic maintenance system, which is based on a fixed, often very conservative schedule. In addition to the gains from less stringent maintenance operations, detecting problems at an early stage allows for planned machine downtime, which is always better than an unexpected shutdown of the production line.

## Vibration Analysis: The Importance of the Sensor

To determine when it is the right time to trigger a maintenance operation, the manufacturer uses parameters such as vibration, noise, and temperature measurements. Among the measurable physical quantities, measurement of the vibration spectrum is the one that provides the most information on the origin of a problem in a rotating machine (engine, generator, etc.). An abnormal vibration can be a sign of a faulty ball bearing, axle misalignment, imbalance, excessive looseness, and more. Each of these problems will manifest itself in a specific symptom, such as vibration sources in rotating machines.

## Vibration Measurement with Accelerometers

Vibration measurements can be performed using an accelerometer that is placed near the element to be monitored. This sensor can be of the piezoelectric type or, more advantageously, of the MEMS type, which not only gives better response at low frequencies but is also small in size.

In the case of a faulty ball bearing, every time a ball comes into contact with a crack or a defect of the inner or outer ring, a shock will occur, causing a vibration or even a slight displacement of the rotational axis. The frequency of these shocks will depend on the speed of rotation and the number and diameter of the balls.

But that's not all! As soon as the fault appears, the previously mentioned shocks will create a sometimes-audible noise—the shock wave—that manifests in the appearance of low-level spectral components and relatively high frequencies, often greater than 5 kHz, and always well beyond the fundamental rotation frequency. Only low noise, high bandwidth accelerometers—such as the Analog Devices ADXL100x—can measure the spectral lines corresponding to the first signs of failure. These accelerometers will provide valuable information where slower or noisier products will not sense anything. As the defect worsens, the level of the lower frequency components will increase. At an advanced stage, the level of vibration can be detected by an entry-level accelerometer, but the failure will be imminent at this point, with little time for the maintenance team to react. To avoid being caught off guard, it is important to detect the very first signs of anomaly with a low noise, high bandwidth accelerometer.

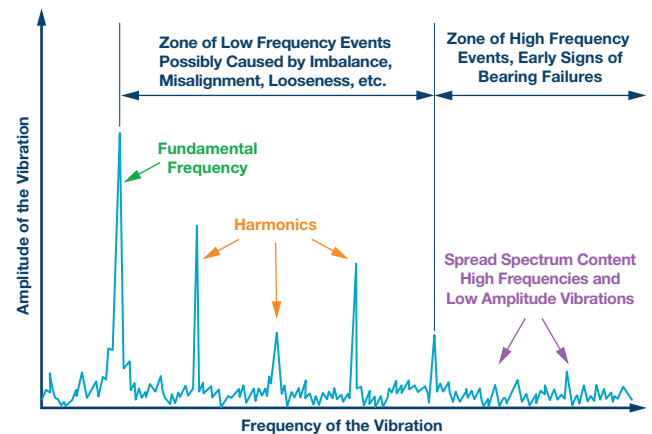


Figure 1. Spectral signature depends on the type of problem. The first signs of ball bearing failure occur at high frequencies.

In addition to the ADXL100x series of accelerometers (ADXL1001/ADXL1002/ADXL1003/ADXL1004/ADXL1005), Analog Devices also offers a number of other accelerometers that are useful for analyzing machine status. For an observation over a more restricted bandwidth, the products of the ADXL35x series (ADXL354/ADXL355/ADXL356/ADXL357) are characterized by a low level of noise (down to 20  $\mu\text{g}/\sqrt{\text{Hz}}$  and a bandwidth of 1500 Hz). Unlike the ADXL100x series that offer analog output, there are products in the ADXL35x series with digital output to simplify the interface with a microcontroller.

Entry-level consumer-oriented products such as the ADXL34x (ADXL343/ADXL344/ADXL345/ADXL346) or the ultra low power ADXL36x (ADXL362/ADXL363) accelerometers will not really have enough bandwidth or noise performance to meet the requirements for quality predictive maintenance.

These entry-level products limit not only the diagnostic capabilities of existing equipment, but they also significantly limit the usability of the data for development of future diagnostic solutions.

However, they can be good candidates for measuring machine activity, for example, to count the number of hours of operation and, if necessary, trigger maintenance—not predictive but only preventive maintenance. Thanks to their extremely low power consumption, these accelerometers can operate with power harvesters (energy harvesters) or by battery.

If the desired machine monitoring consists only of measuring sudden shocks, the products of the ADXL37x series (ADXL372/ADXL375/ADXL377) are a perfect fit. Since a shock can be considered to have altered equipment accuracy or operation, it will be possible, for example, to trigger a maintenance operation of a corrective nature to correct any defects that might have appeared.

### From Components to Complete Modules

As previously mentioned, the ADXL100x series is characterized by a wide bandwidth and low noise level. However, they are single axis and require associated processing electronics. To simplify the design phase,

Analog Devices offers a turnkey solution for triaxial measurement with model ADcmXL3021. This 3.3 V powered product incorporates three measurement chains based on the ADXL1002, as well as a temperature sensor, a processor, and a FIFO. The whole ensemble is encapsulated in an aluminum case (23.7 mm × 26.7 mm × 12 mm) that is ready for installation on the rotating machine. The product is characterized by a full scale of ±50 g, an extremely low noise level of only 25 µg/√Hz, and a bandwidth of 10 kHz, which allows vibration signature capture in a large number of applications.

A signal processing block includes not only a configurable FIR filter with 32 coefficients, but also an FFT function with 2048 points per axis to perform spectral analysis of the vibration. Each frequency level of the spectrum calculated this way will be compared to the configurable alarm thresholds (six per axis). If the spectral components are too intense, an alert will be generated. This product can interact with a host processor via an SPI port that provides access to internal registers as well as a set of user-configurable functions, including advanced mathematical functions such as calculating the average value, standard deviation, maximum value, crest factor, and kurtosis (fourth-order kinetic moment that enables measurement of the acuity of the vibration).

**Table 1. The ADcmXL3021 and the ADXL100x Series Are Ideally Suited for CbM Applications.**

Series	Main Features	Applications/Type of Maintenance	Number of Axes	Type of Output
ADXL1001/ADXL1002/ ADXL1003/ADXL1004/ ADXL1005	Large bandwidth, low noise, 100 g to 500 g, bandwidth up to 24 kHz depending on the product	Ideal for predictive maintenance on rotating machines; possible detection of early symptoms	Monoaxial	Analog
ADXL354/ADXL355/ ADXL356/ADXL357	Low noise, low drift, low consumption; up to ±40 g; 1500 Hz bandwidth	Diagnostic of system faults like imbalance, misalignments, looseness, and mid/late stage bearing faults for slower rotating equipment	Triaxial	Analog or digital depending on the product
ADXL335/ADXL337	Low power consumption, small footprint, analog interface, 3 g	For low cost applications requiring an analog interface	Triaxial	Analog
ADXL343/ADXL344/ ADXL345/ADXL346	Entry level, low cost, ±2 g, ±4 g, ±8 g, ±16 g	For low cost applications requiring a digital interface	Triaxial	Digital
ADXL362/ADXL363	Ultra low power consumption, low bandwidth	Measurement of equipment activity for preventive maintenance purposes; operates on battery or through energy harvesting	Triaxial	Digital
ADXL372/ADXL375/ ADXL377	High full scale/shock detection	Suitable for shock detection for corrective maintenance purposes	Triaxial	Analog or digital
ADcmXL3021	High performance, wide bandwidth (10 kHz), low noise, integrated FFT, multiaxial	Comprehensive CbM module including three accelerometers and associated signal processing; ideal for predictive maintenance	Triaxial	Digital
ADIS16228	±20 g, integrated FFT, bandwidth up to 5 kHz	Comprehensive CbM module for predictive maintenance	Triaxial	Digital

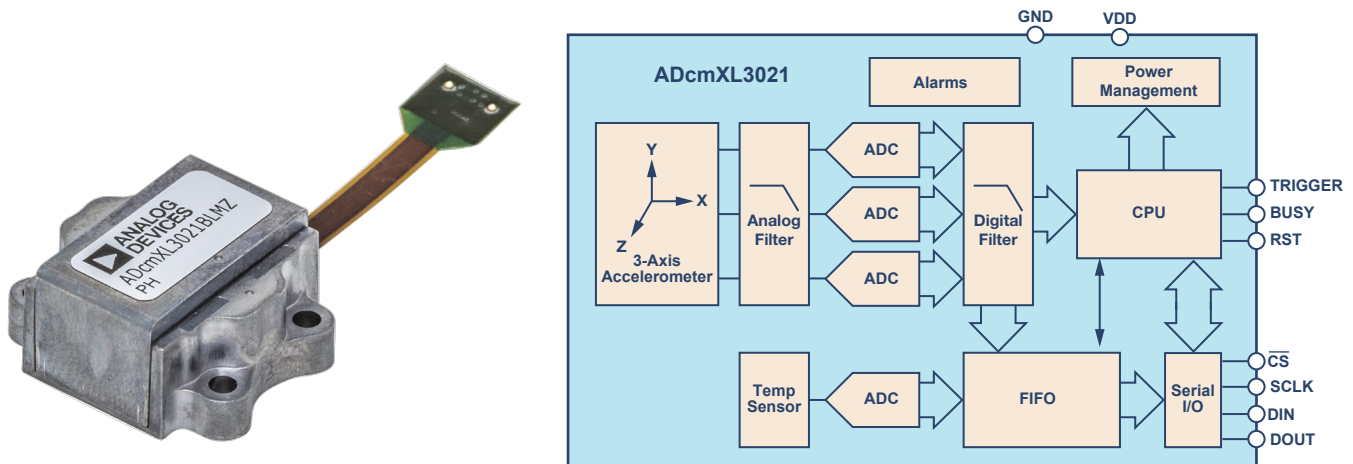


Figure 2. The ADcmXL3021 module, ideal for predictive maintenance applications.

## SmartMesh: A Network for the IIoT, Well Adapted to Predictive Maintenance

A wireless network is particularly well suited for collecting maintenance data from a vibration sensor. It does not need to be fast, but it must be robust enough to operate in industrial environments that are often very disturbed and made of metal structures that are unsuitable for good transmissions. It must also be able to collect data from a large number of sensors that are not necessarily close to the data logger. To meet this need, Analog Devices offers the SmartMesh® IP industrial mesh network, which is characterized as highly robust to disturbances with low power consumption. This last criterion is important for maintenance modules that are variously powered by energy harvesting or by a lithium battery that must operate for five or 10 years without replacement. Based on the 6LoWPAN standard (IEEE 802.15.4e), the SmartMesh IP network is perfectly adapted to the IIoT and relies on a proprietary protocol built around a 2.4 GHz transmission. The solution consists of **LTC5800** transceivers or precertified LTP590x modules, which are very easy to implement.

Various techniques are used to guarantee a transmission reliability greater than 99.999%, including synchronization, channel hopping, and time stamping, as well as a dynamic reconfiguration of the mesh network that uses only the RF paths where the signal is most powerful.

## Why Not Get Help from Artificial Intelligence?

There are a number of vibration analysis techniques. In addition to the digital filtering to overcome the parasitic vibrations caused by the process itself or by other components of the machine, it is common to be aided by mathematical tools such as those included in the ADcmXL3021 (calculation of the average, standard deviation, crest factor, kurtosis, etc.). The analysis can be done in the time domain, but it is the frequency analysis that will bring the most information about an anomaly and its origin. One can even resort to calculating the cepstrum sometimes assimilated into the spectrum of the spectrum of the signal (inverse Fourier transform applied to the logarithm of the Fourier transform of the signal). However, whichever analysis method is used, the difficulty is in establishing the optimum alert threshold so that a maintenance operation will be neither too early nor too late.

An alternative to the traditional configuration of alarm thresholds is to introduce artificial intelligence into the failure identification process. During the machine learning phase, cloud resources are used to create representative models of the machine based on data from the vibration sensor. Once the models have been created, they can be downloaded to a local processor. The use of embedded software will enable the real-time identification of not only ongoing events, but also transient events, and will thus be able to detect anomalies.

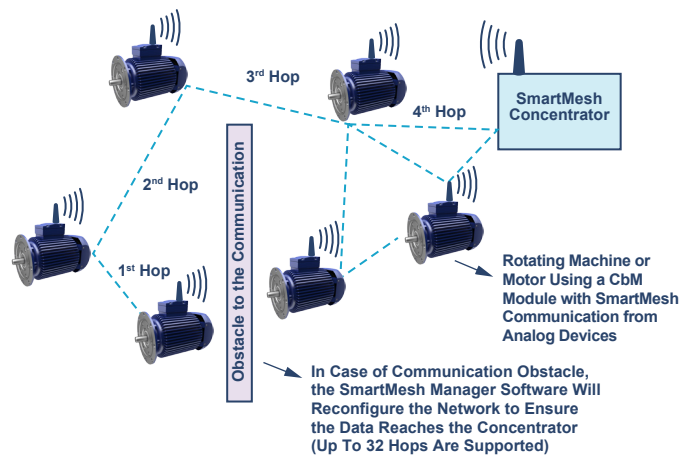


Figure 3. SmartMesh IP network is well adapted to IIoT and predictive maintenance operations.

**Table 2. Comparison of the Costs of Corrective, Preventive, and Predictive Maintenance**

	Start-Up/Installation Costs	Operating Costs	Costs Related to Unscheduled Downtime
Corrective Maintenance			\$\$\$\$\$\$\$\$\$ Unscheduled production stoppages
Preventive Maintenance		\$ On-site intervention according to schedule/ Systematic replacement of wear parts	\$\$\$ No real-time machine monitoring resulting in some unscheduled production stoppages
Predictive Maintenance	\$ Installation of specific equipment (vibration sensors, etc.)	\$ Knowledge of machine status, monitoring via specific software or by AI	\$ Real-time machine monitoring; perfectly planned production stoppages

## Vibration Sources in Rotating Machines

One of the problems commonly encountered in a rotating machine is the failure of a ball bearing. Spectral analysis of the data from an accelerometer placed close to the bearing reveals a number of characteristic lines, amplitude, and frequency that depend on the speed of rotation and the origin of the defect.

The characteristic frequencies of the system that can be mentioned include:

- ▶ The rotation frequency of the bearing cage:

$$f_{cage} = \frac{1}{2} \left( 1 - \frac{d}{D} \cos(\Phi) \right) \times f_{axle}$$

- ▶ The frequency related to a defect on the outer ring (fixed):

$$f_{ext} = N \times f_{cage}$$

- ▶ The frequencies related to a defect on the inner ring (axis):

$$f_{int} = N \times (f_{axle} - f_{cage})$$

- ▶ Beyond these frequency characteristics, the shock wave created by the ball rolling over the defect (crack, flaking, etc.) will cause a vibration of high frequency (>5 kHz) that can sometimes be audible.

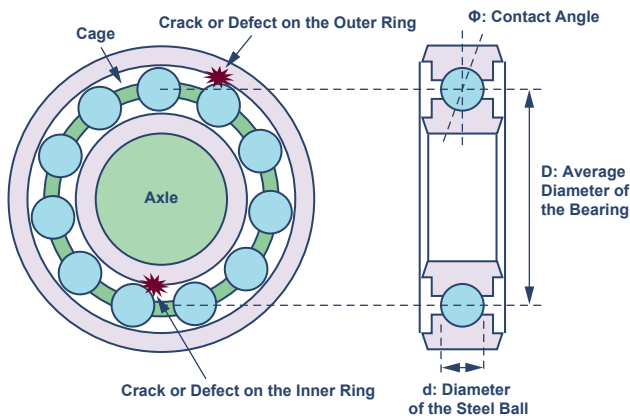


Figure 4. Ball bearing.

- ▶ N: number of balls
- ▶  $\Phi$ : contact angle
- ▶  $f_{axle}$ : rotation frequency of the axle
- ▶ d: ball diameter
- ▶ D: Average diameter of the bearing

## Toward New Services

In addition to building models for predictive maintenance, artificial intelligence and cloud access open the door to a host of new possibilities. Correlating the vibration measurements with the data from other sensors (pressure, temperature, rotation, power, etc.) makes it possible to deduce much information on the system status well beyond what's related to maintenance needs. The merging of basic data will enable refinements in the equipment models to detect not only mechanical failures, but also process problems (for example, an empty conveyor, a pump without fluid, a mixer without paste, etc.). We can therefore consider a multitude of services that equipment manufacturers can offer to their end customers by combining equipment supply with maintenance and statistical analysis of the performance and problems of a production line. Equipped with its sensor module, the basic electric motor becomes a major player in the big data concept.

### About the Author

Bertrand Campagnie has been working at Analog Devices for more than 22 years. After managing the application team, he is now in charge of strategic accounts in the industrial, medical, and consumer fields. Bertrand holds an engineering degree from the National School of Physics at Strasbourg and a Diplôme d'Etudes Approfondies in microelectronics. He can be reached at [bertrand.campagnie@analog.com](mailto:bertrand.campagnie@analog.com).

Online Support  
Community



Engage with the  
Analog Devices technology experts in our online support  
community. Ask your tough design questions, browse FAQs,  
or join a conversation.

[Visit ez.analog.com](http://ez.analog.com)

#### Analog Devices, Inc. Worldwide Headquarters

Analog Devices, Inc.  
One Technology Way  
P.O. Box 9106  
Norwood, MA 02062-9106  
U.S.A.  
Tel: 781.329.4700  
(800.262.5643, U.S.A. only)  
Fax: 781.461.3113

#### Analog Devices, Inc. Europe Headquarters

Analog Devices GmbH  
Ott-Aicher-Str. 60-64  
80807 München  
Germany  
Tel: 49.89.76903.0  
Fax: 49.89.76903.157

#### Analog Devices, Inc. Japan Headquarters

Analog Devices, KK  
New Pier Takeshiba  
South Tower Building  
1-16-1 Kaigan, Minato-ku,  
Tokyo, 105-6891  
Japan  
Tel: 813.5402.8200  
Fax: 813.5402.1064

#### Analog Devices, Inc. Asia Pacific Headquarters

Analog Devices  
5F, Sandhill Plaza  
2290 Zuchongzhi Road  
Zhangjiang Hi-Tech Park  
Pudong New District  
Shanghai, China 201203  
Tel: 86.21.2320.8000  
Fax: 86.21.2320.8222

©2019 Analog Devices, Inc. All rights reserved. Trademarks and registered trademarks are the property of their respective owners. Ahead of What's Possible is a trademark of Analog Devices. TA21283-6/19

[analog.com](http://analog.com)



AHEAD OF WHAT'S POSSIBLE™