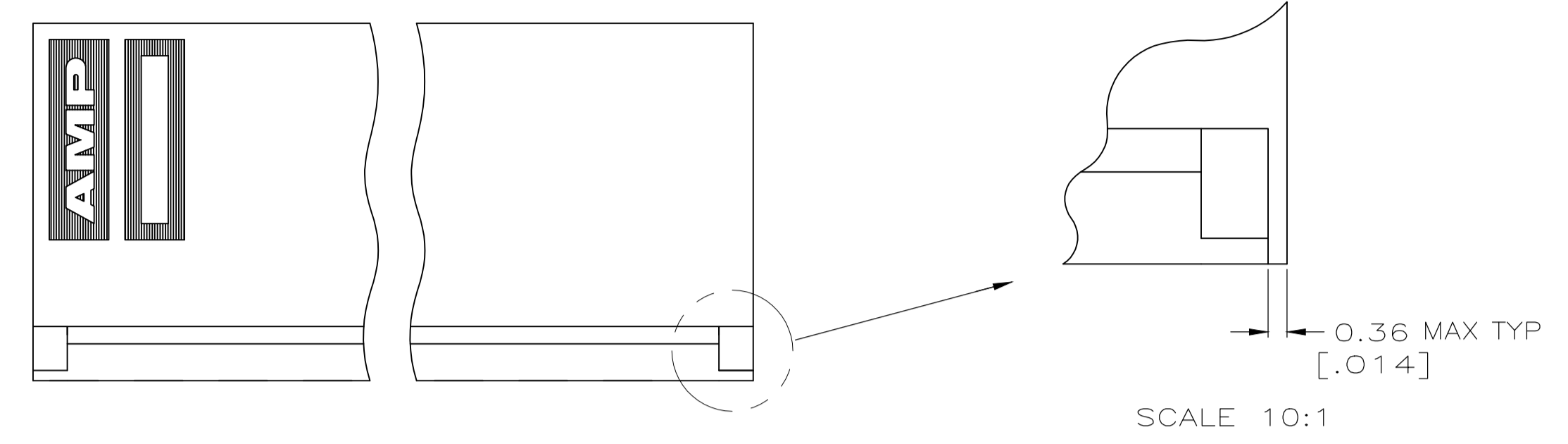


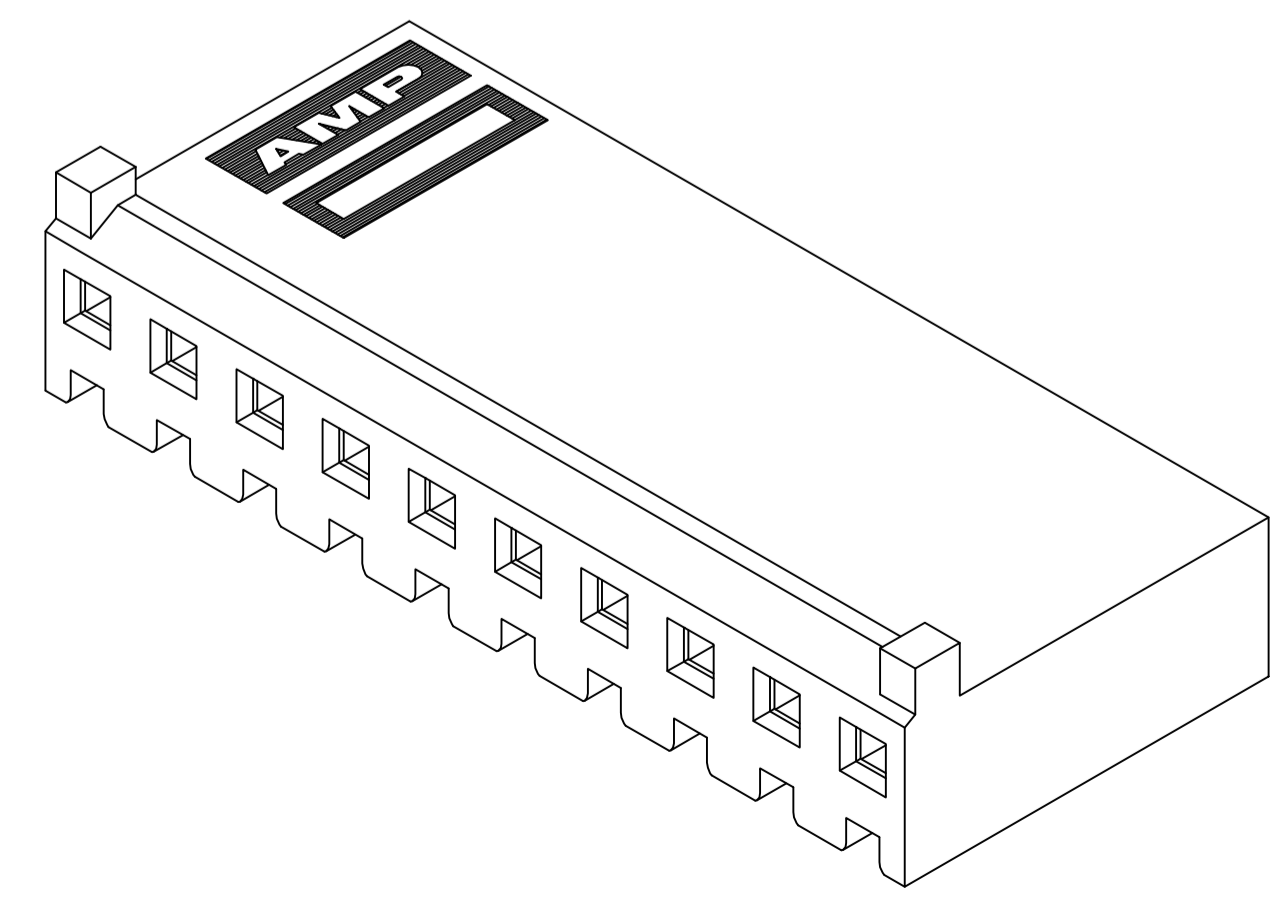
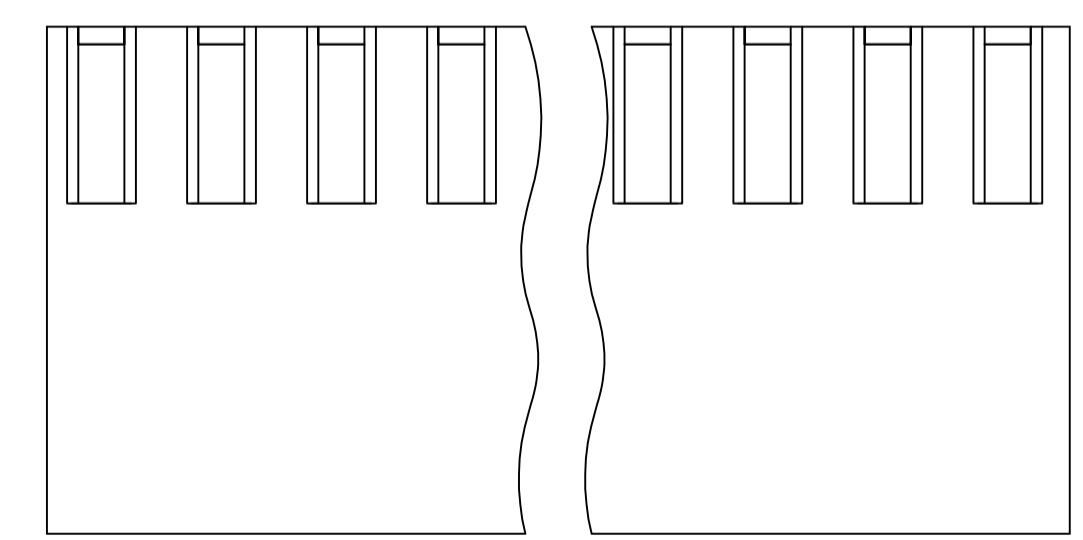
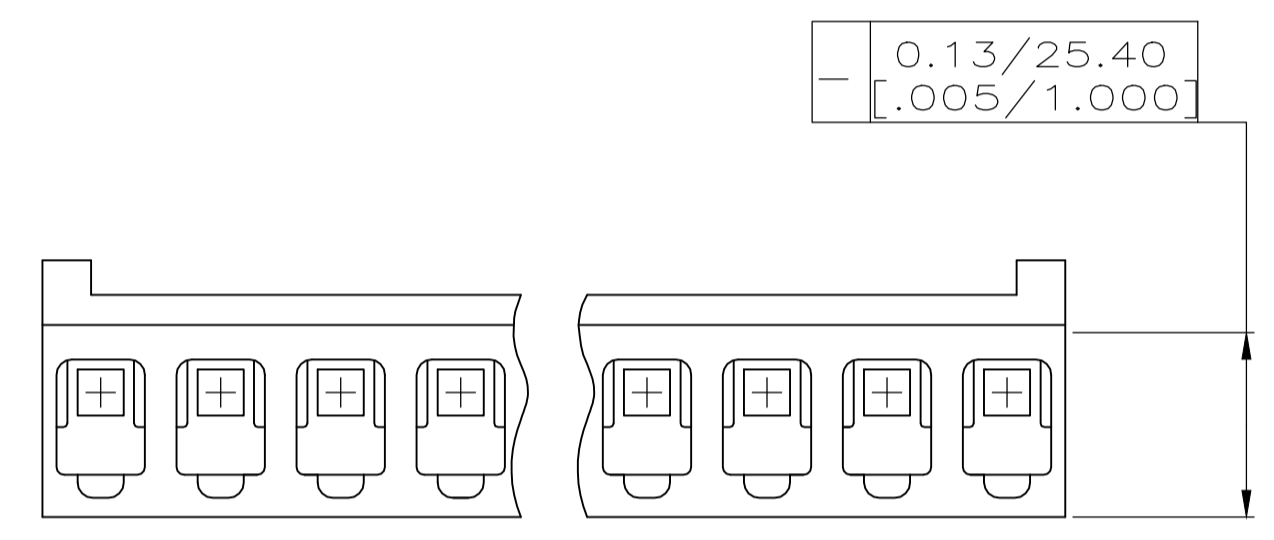
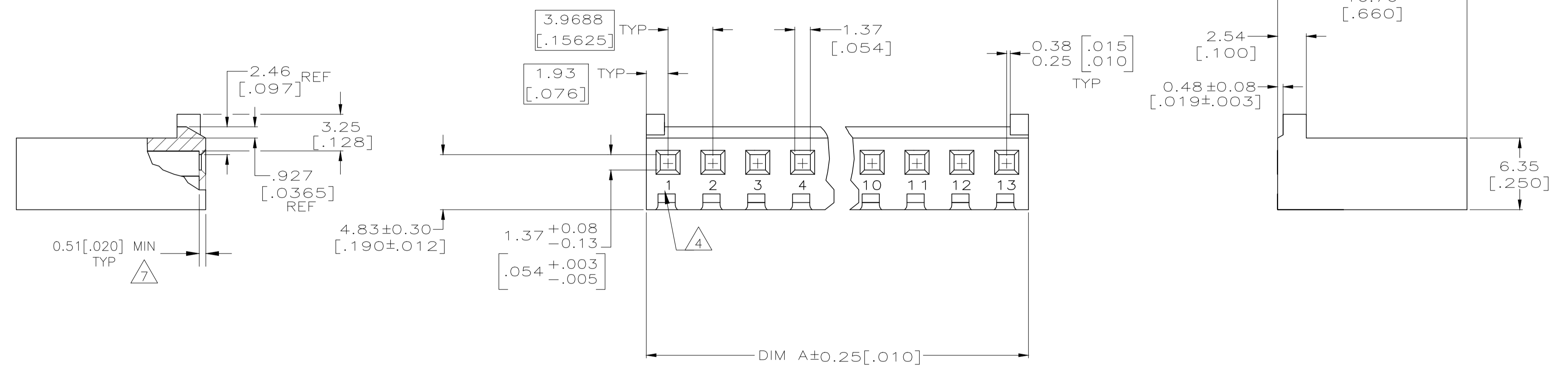
REVISIONS				
P	LTR	DESCRIPTION	DATE	BY
P5		REVISED PER ECR-19-019129	03JAN2019	BDA SW

- 1 UNIT ACCEPTS 1.14[.045] SQUARE OR ROUND POST.
- 2 UNIT ACCEPTS STANDARD SL-156 CONTACTS.
- 3 UNIT ACCEPTS KEYING PLUG 640254-1 AND KEYING PIN 640255-1.
- 4 IDENTIFICATION NUMBER FOR ALL POSITIONS, OR FOR POSITION 1 ONLY, WILL BE LOCATED AS SHOWN.
- 5 DIMENSIONS IN BRACKETS ARE IN INCHES.
- 6 NO CSA/UR LOGO
- 7 MEETS UL61800-5-1

Flam	RTIe deg C	HWI	HWI	CTI
V0	120C	PLC4	PLC0	PLC0_UL746



SCALE 10:1



3-DIMENSIONAL MODEL NTS

COLOR	DIM A	NO OF POSN	PART NUMBER
YELLOW	7.82 [0.308]	2	8-770849-2
BROWN	7.82 [0.308]	2	7-770849-2
BLUE	7.82 [0.308]	2	6-770849-2
RED	7.82 [0.308]	2	5-770849-2
GRAY	7.82 [0.308]	2	4-770849-2
BLACK	7.82 [0.308]	2	3-770849-2
NATURAL	95.15[3.746]	24	2-770849-4
NATURAL	91.19[3.590]	23	2-770849-3
NATURAL	87.20[3.433]	22	2-770849-2
NATURAL	83.24[3.277]	21	2-770849-1
NATURAL	79.27[3.121]	20	2-770849-0
NATURAL	75.31[2.965]	19	1-770849-9
NATURAL	71.30[2.807]	18	1-770849-8
NATURAL	67.34[2.651]	17	1-770849-7
NATURAL	63.40[2.496]	16	1-770849-6
NATURAL	59.44[2.340]	15	1-770849-5
NATURAL	55.45[2.183]	14	1-770849-4
NATURAL	51.49[2.027]	13	1-770849-3
NATURAL	47.52[1.871]	12	1-770849-2
NATURAL	43.56[1.715]	11	1-770849-1
NATURAL	39.57[1.558]	10	1-770849-0
NATURAL	35.61[1.402]	9	770849-9
NATURAL	31.65[1.246]	8	770849-8
NATURAL	27.69[1.090]	7	770849-7
NATURAL	23.70[0.933]	6	770849-6
NATURAL	19.74[0.777]	5	770849-5
NATURAL	15.77[0.621]	4	770849-4
NATURAL	11.81[0.465]	3	770849-3
NATURAL	7.82[0.308]	2	770849-2

1-770849-3 SHOWN

THIS DRAWING IS A CONTROLLED DOCUMENT.

DIMENSIONS: INCHES	TOLERANCES UNLESS OTHERWISE SPECIFIED:	DIN K. SALMON 5-22-91	CHK R. SWING 5-22-91	APPROVED D. WORTHINGTON 5-22-91	NAME
0 PLC ± -	1 PLC ± -	2 PLC ± -	3 PLC ± 0.13 [0.005]	4 PLC ± -	ANGLES ± -
MATERIAL NYLON,UL 94V-0 NATURAL	FINISH -	WEIGHT -	SIZE A1	CAGE CODE 00779	DRAWING NO. 770849
CUSTOMER DRAWING		SCALE 4:1	SHEET 1 OF 1	REV P5	RESTRICTED TO

STE TE Connectivity

HOUSING WITH LOCKING RAMP AND POLARIZING TABS, SL-156