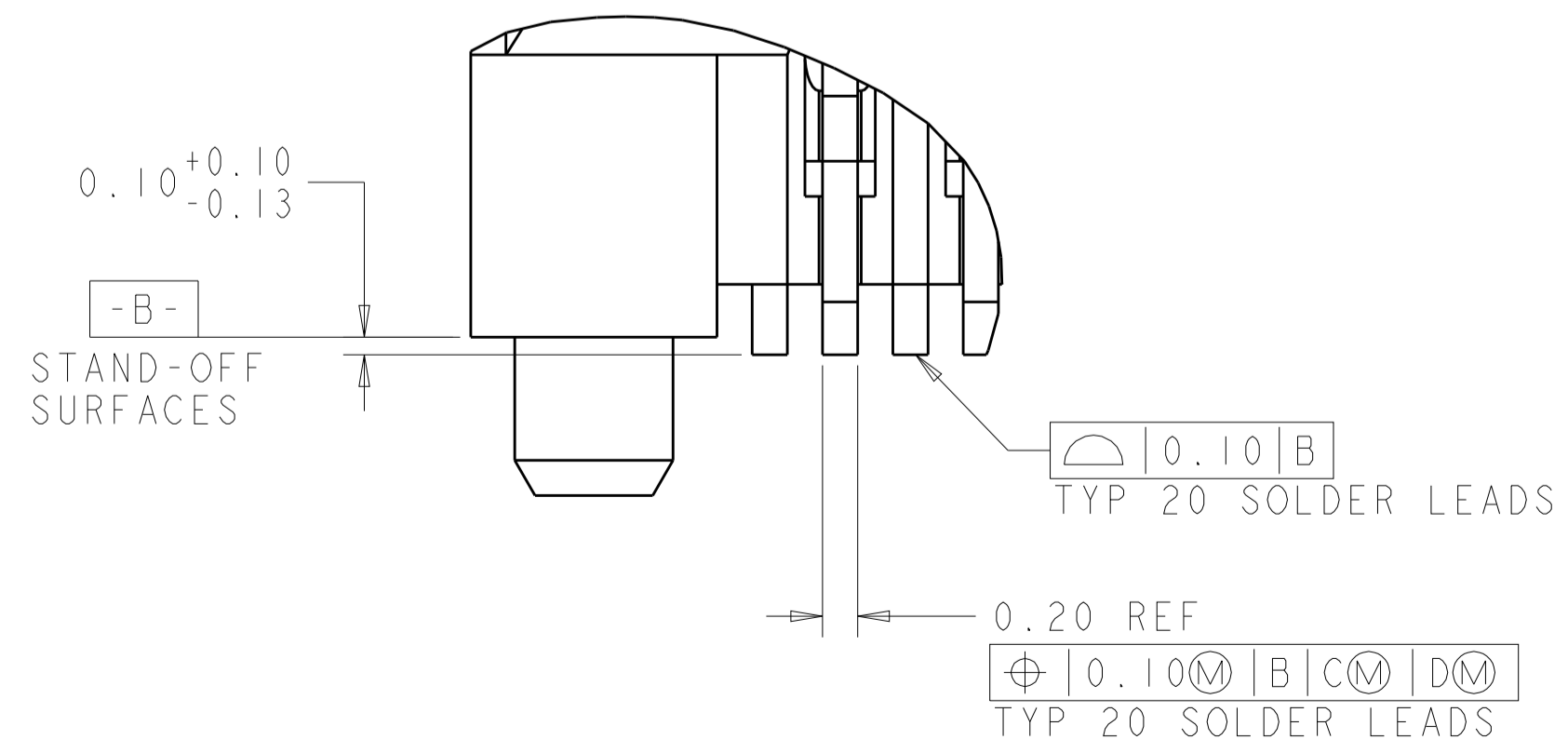
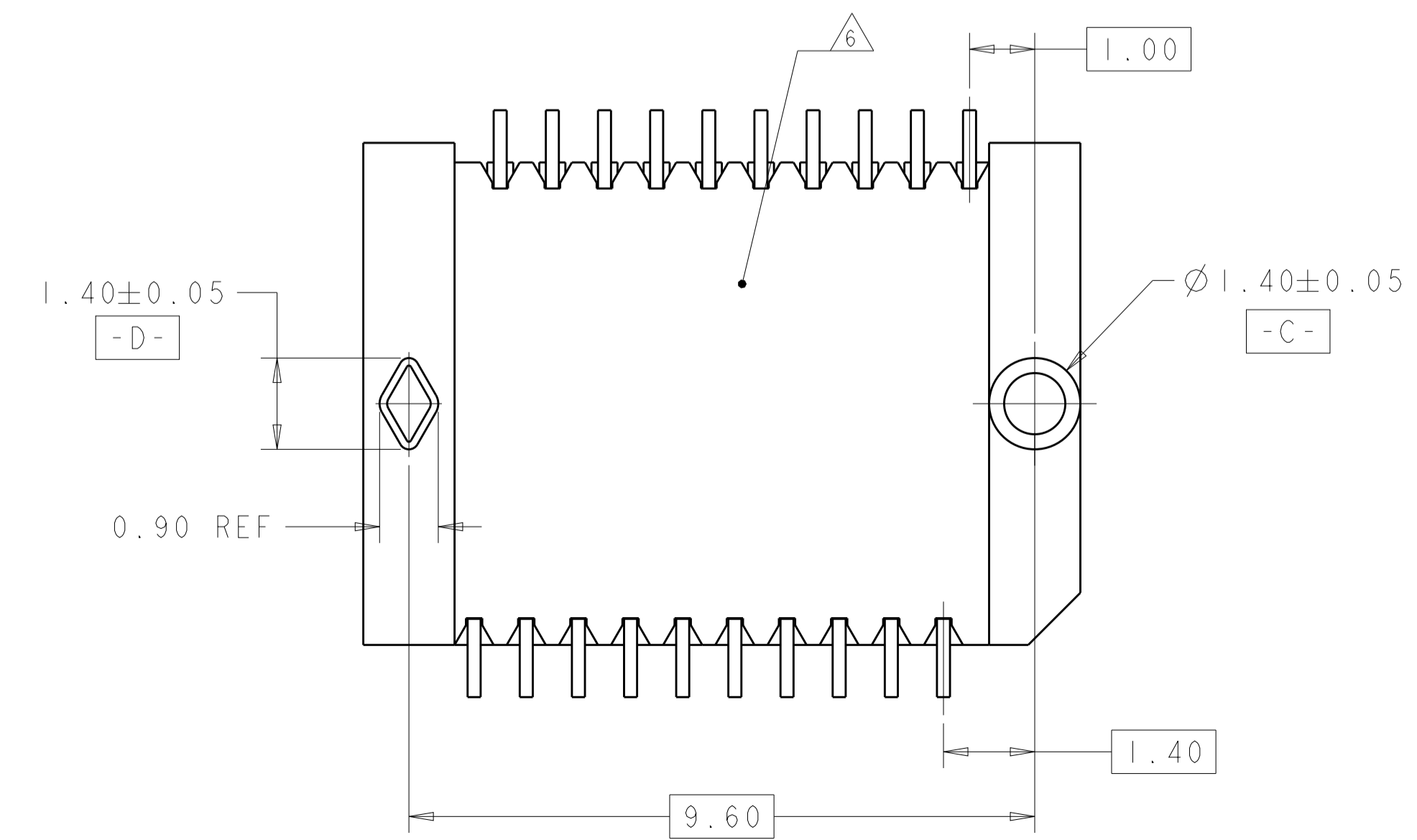
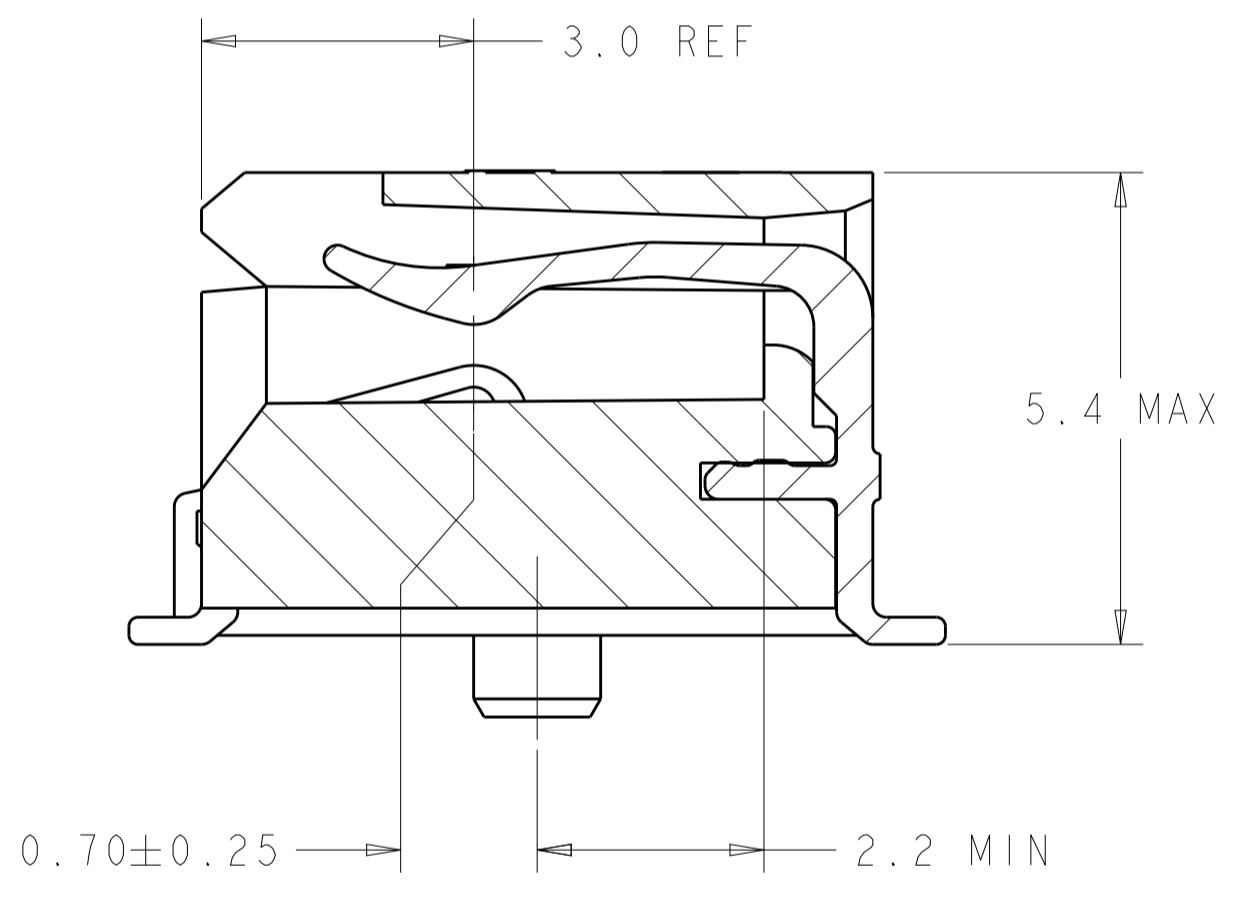
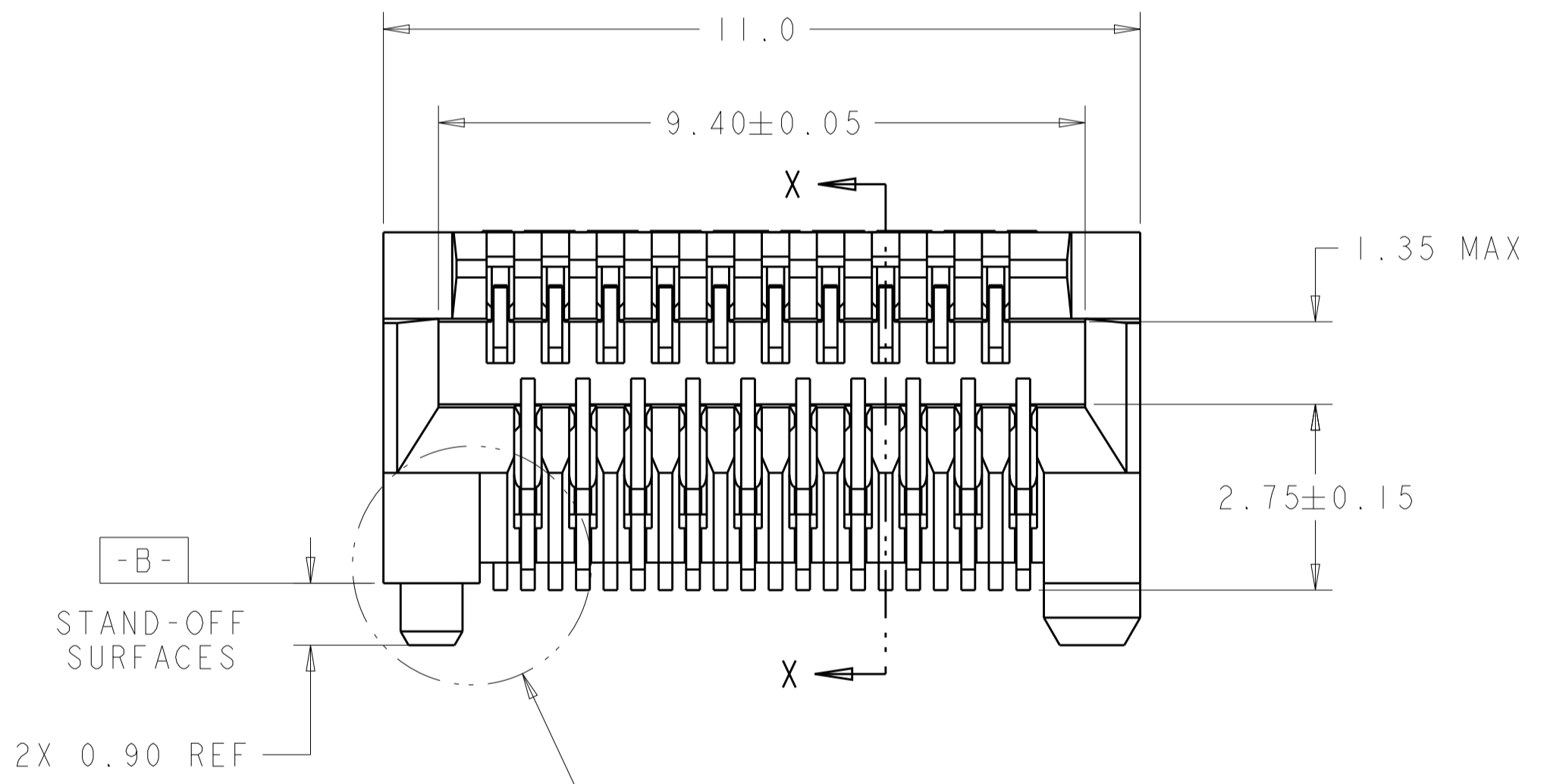
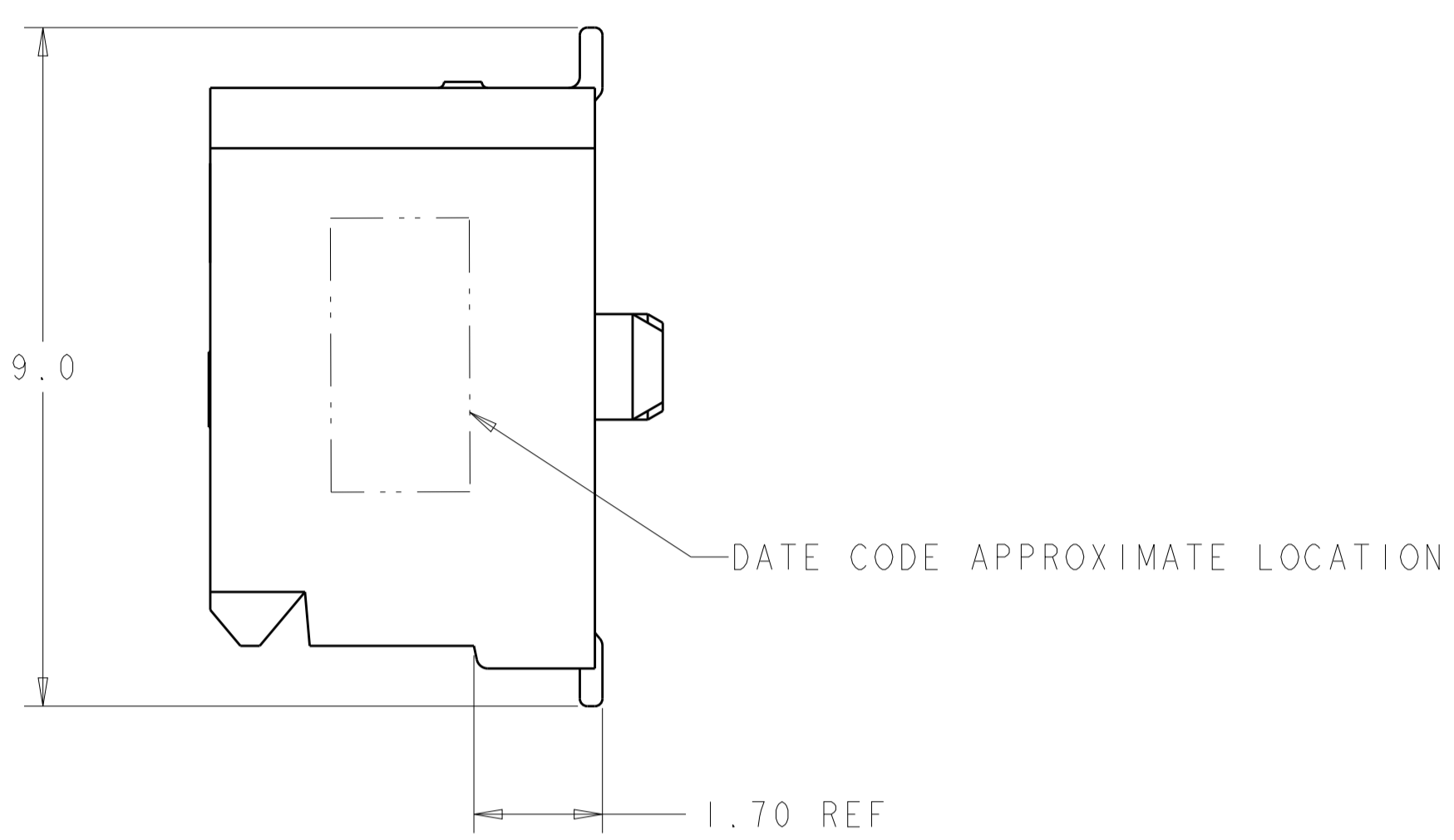
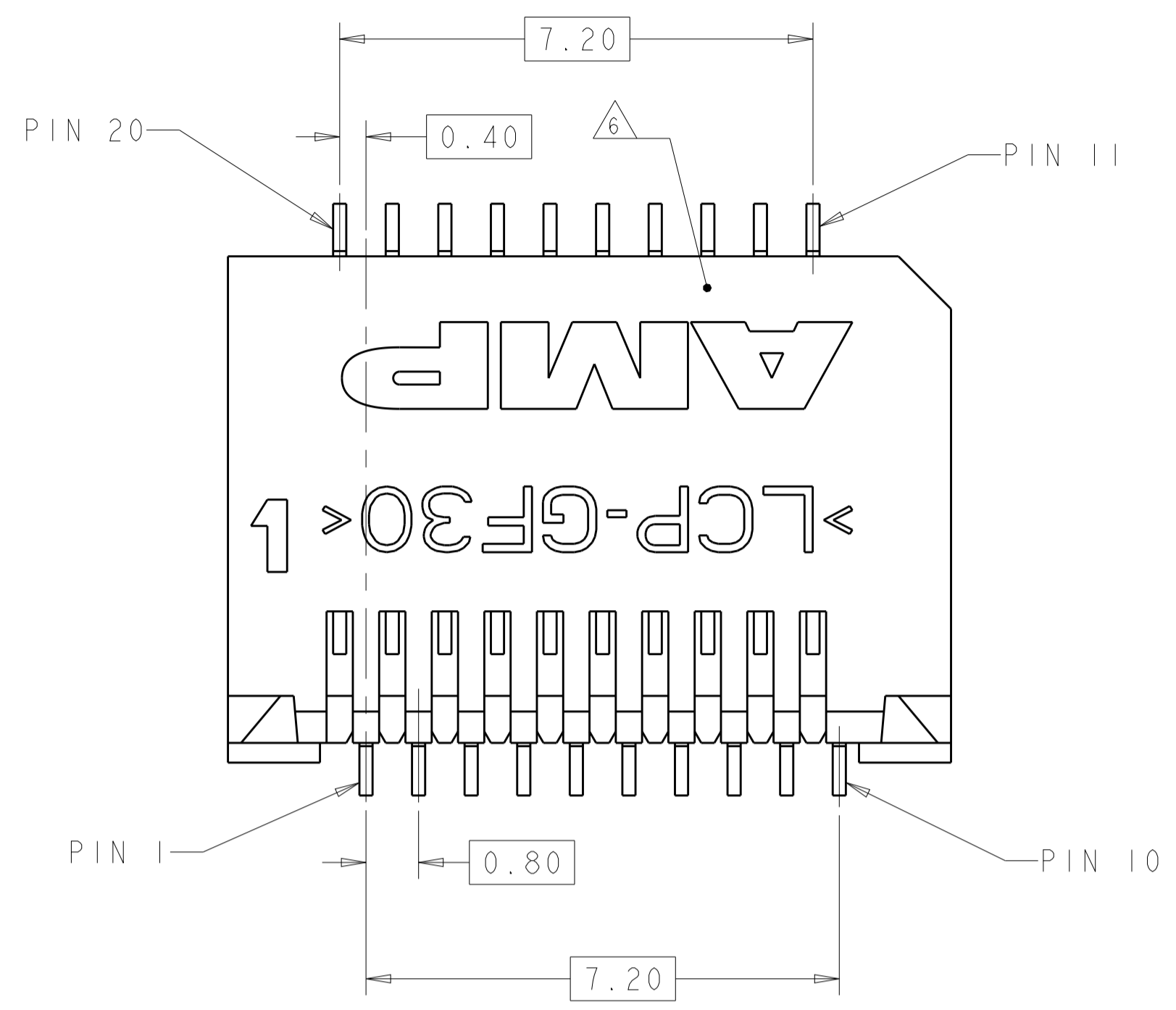
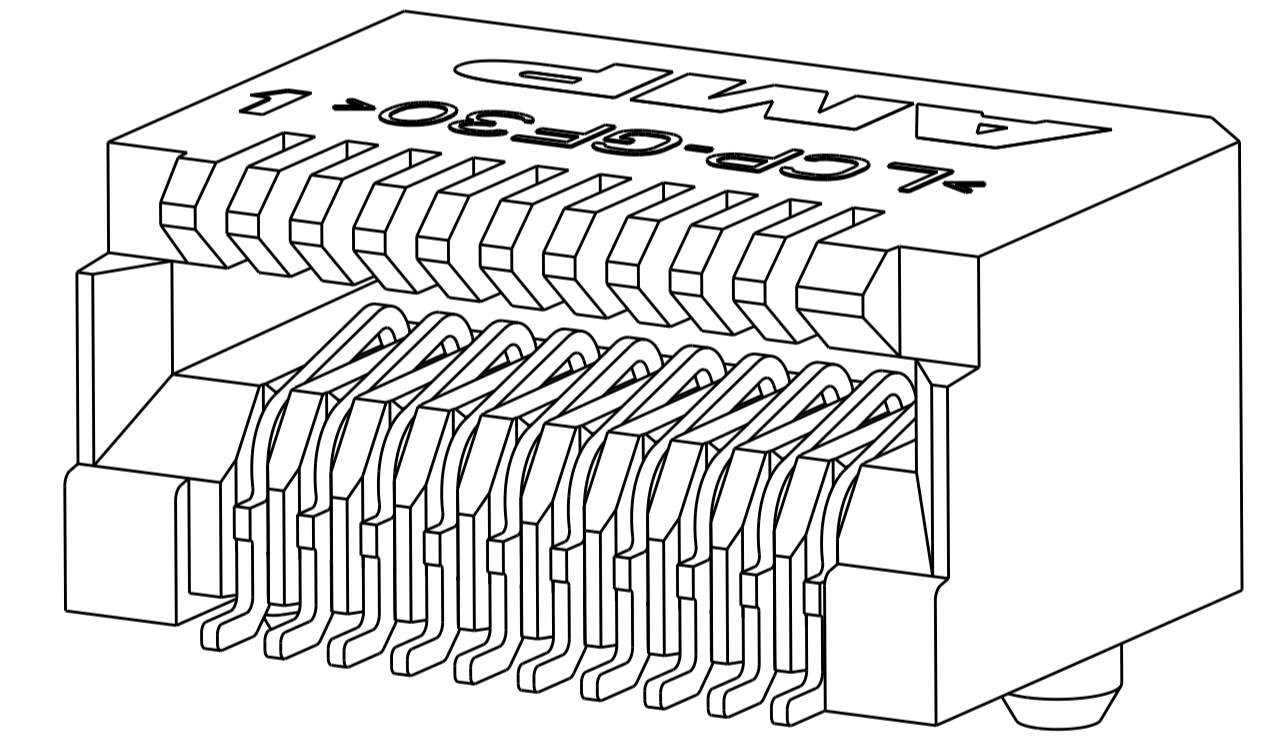


LOC		DIST		REVISIONS			
ES	00	P	LTN	DESCRIPTION	DATE	DWN	APVD
		L		REVISED PER ECO-15-018066	16DEC2015	PP	SH
		M		UPDATE NICKEL PLATING AND ADD NOTE 8	20JUN2017	JW	SH
		N		REVISED PER ECR-19-009785	24JUN2019	IT	SH
		N1		DIM MARKS CHANGE; ADD PN -7	10JUN2020	IT	SH



DETAIL H  
SCALE 25:1

- 1 MATERIAL:  
HOUSING: HIGH TEMPERATURE LCP, UL 94V-0 RATED, BLACK  
CONTACTS: PHOSPHOR BRONZE.
- 2 FINISH:  
CONTACTS: 0.00076 MIN GOLD ON CONTACT AREA, 0.00013 MIN GOLD ON SOLDER AREA. ALL OVER 0.00127 MIN NICKEL UNDERPLATE ON ENTIRE CONTACT. LUBRICANT ON GOLD PLATE CONTACT AREAS.
- 3. PACKAGED 480 PIECES PER REEL.
- 4 DATUMS AND BASIC DIMENSIONS TO BE ESTABLISHED BY CUSTOMER, SEE DRAWING 1367034 FOR LAYOUT WHEN USED WITH 1367034-1 BOTTOM CAGE (STANDARD SFP APPLICATION).
- 5 FINISH:  
CONTACTS: 0.00038 MIN GOLD ON CONTACT AREA, 0.00013 MIN GOLD ON SOLDER AREA. ALL OVER 0.00127 MIN NICKEL UNDERPLATE ON ENTIRE CONTACT. LUBRICANT ON GOLD PLATE CONTACT AREAS.
- 6 PULL GROOVES PERMITTED ON THESE SURFACES AT MOLDING ENGINEERING DISCRETION
- 7 FOR ESD PROTECTION TAPE AND REEL PACKAGE ONLY. MATERIALS (COVER TAPE, EMBOSS TAPE, REEL, INNER LABEL ON REEL) USED WITH AN EPA AREA MUST PRIMARILY BE ELECTROSTATIC CONDUCTIVE OR ELECTROSTATIC DISSIPATIVE. NO MATERIAL SHOULD BE CHARGED UP TO MORE THAN 100 VOLTS.
- 8. TEMPERATURE RATING: -55°C TO 105°C
- 9 CUSTOMIZED PART NUMBER.



1888247-1, 2, 3, 4, 5, 7 AS SHOWN

9	NO	2	1888247-7
7	NO	2	1888247-5
	YES	5	1888247-4
	YES	2	1888247-3
	NO	5	1888247-2
	NO	2	1888247-1
	DATE CODE	FINISH	PART NUMBER

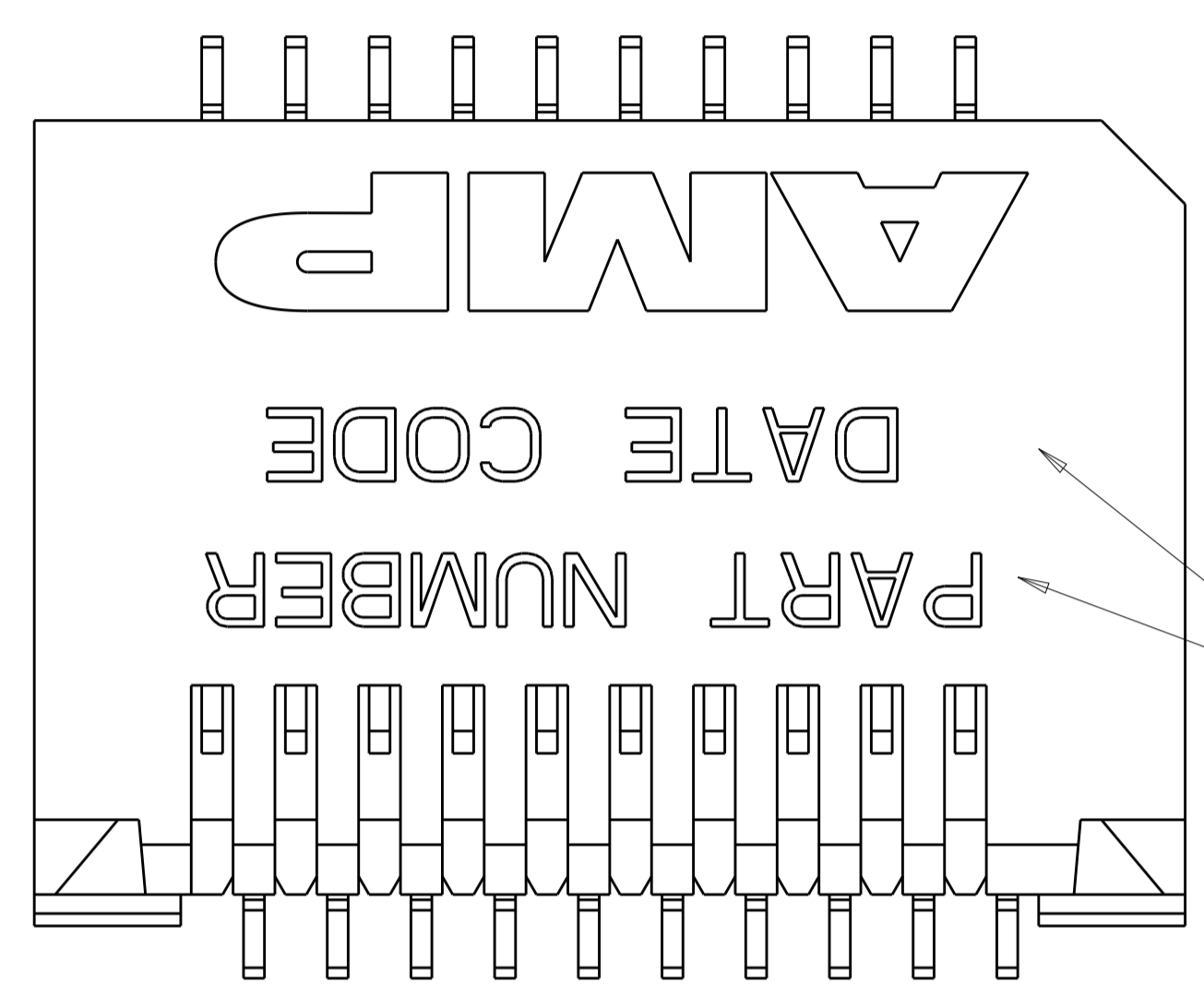
THIS DRAWING IS A CONTROLLED DOCUMENT.

DIMENSIONS:	TOLERANCES UNLESS OTHERWISE SPECIFIED:	DWN B. MCMASTER 14FEB06	CHG S. SHUEY 14FEB06	APVD S. SHUEY 14FEB06	NAME
mm	0 PLC ±	PRODUCT SPEC	108-1949	APPLICATION SPEC	PT CONNECTOR ASSEMBLY, 20 POS, RIGHT ANGLE, 0.8mm PITCH, SFP+
	1 PLC ±0.20	SIZE	114-13017	WEIGHT	A100779C=1888247
	2 PLC ±0.10	CAGE CODE	1888247	SCALE	12:1
	3 PLC ±	DRAWING NO	1888247	SHEET	1 OF 4
	4 PLC ±	RESTRICTED TO		REV	N1
	ANGLES ±	CUSTOMER DRAWING			

STE TE Connectivity

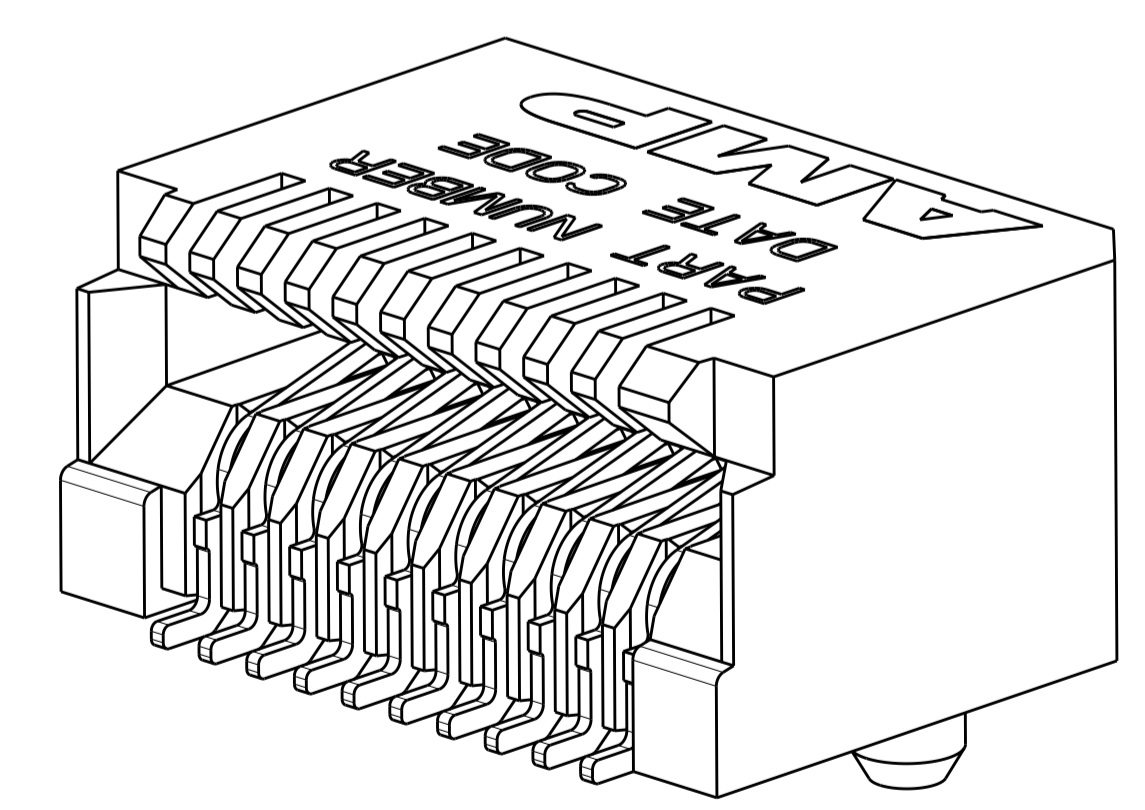
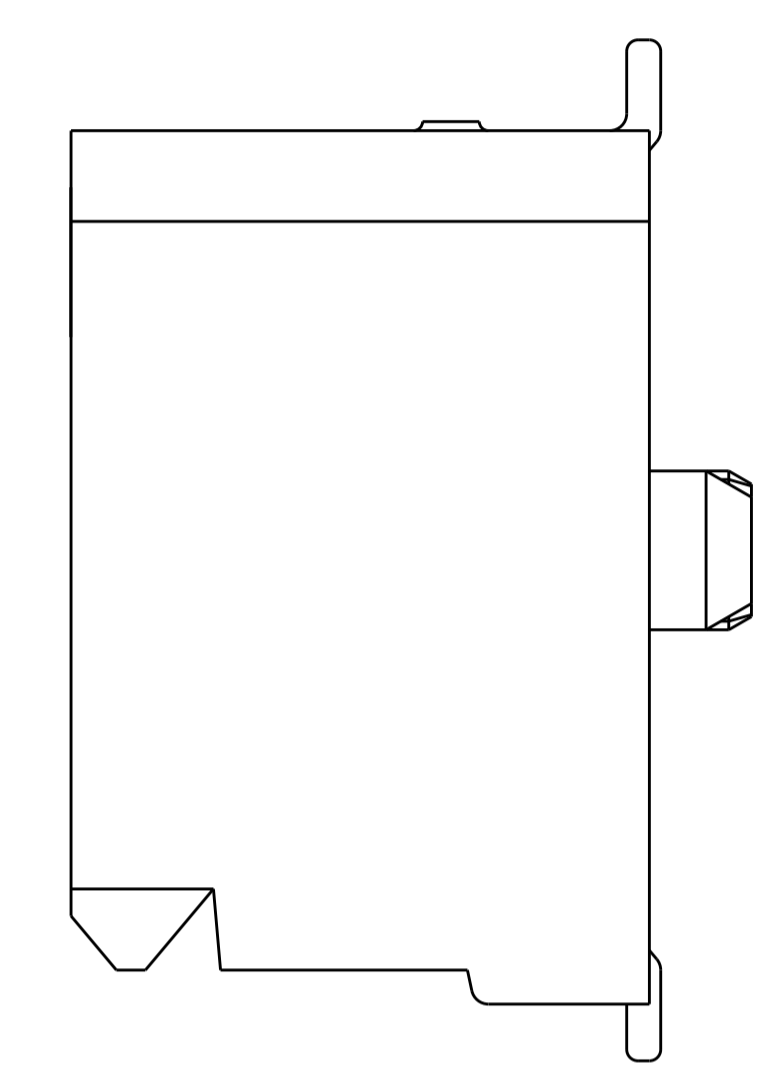
LOC		DIST		REVISIONS			
ES	00	P	LTH	DESCRIPTION	DATE	DNM	APVD
		-		SEE SHEET 1			

1888247-6 AS SHOWN  
 PRINT PART NUMBER AND DATE CODE ON TOP  
 ALL OTHERS SAME AS 1888247-2



PART NUMBER AND DATE CODE  
 APPROXIMATE LOCATION

SCALE 15:1

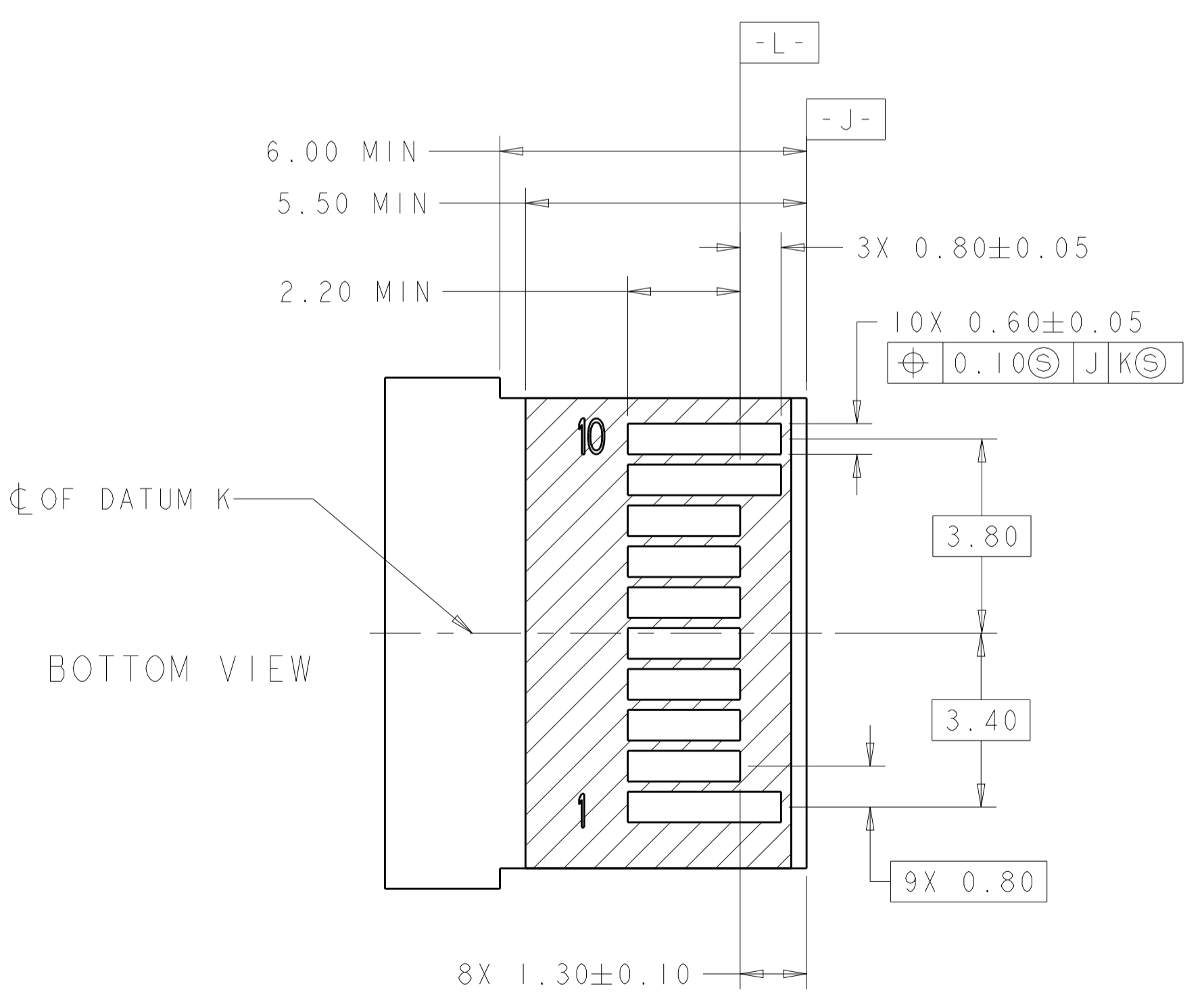
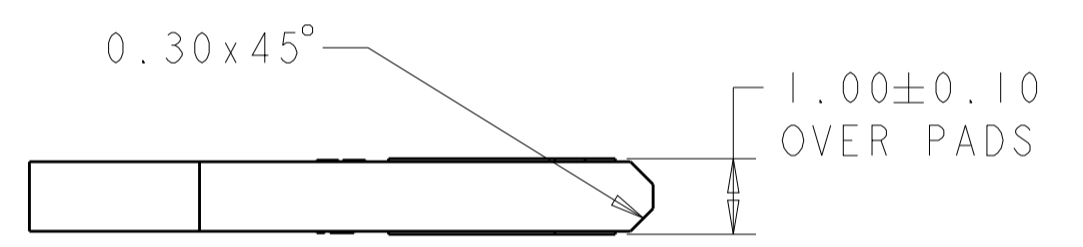
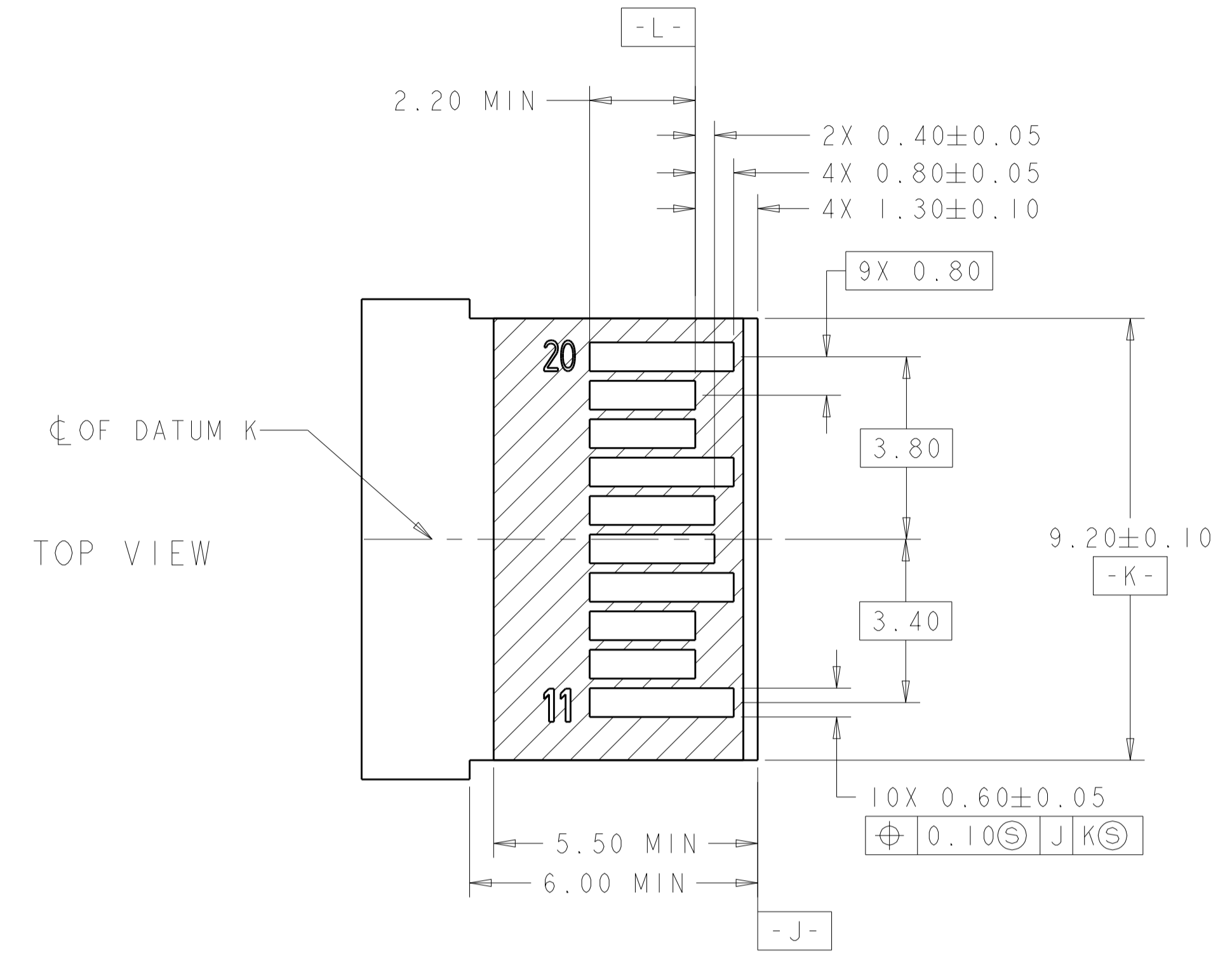


1888247-6 AS SHOWN

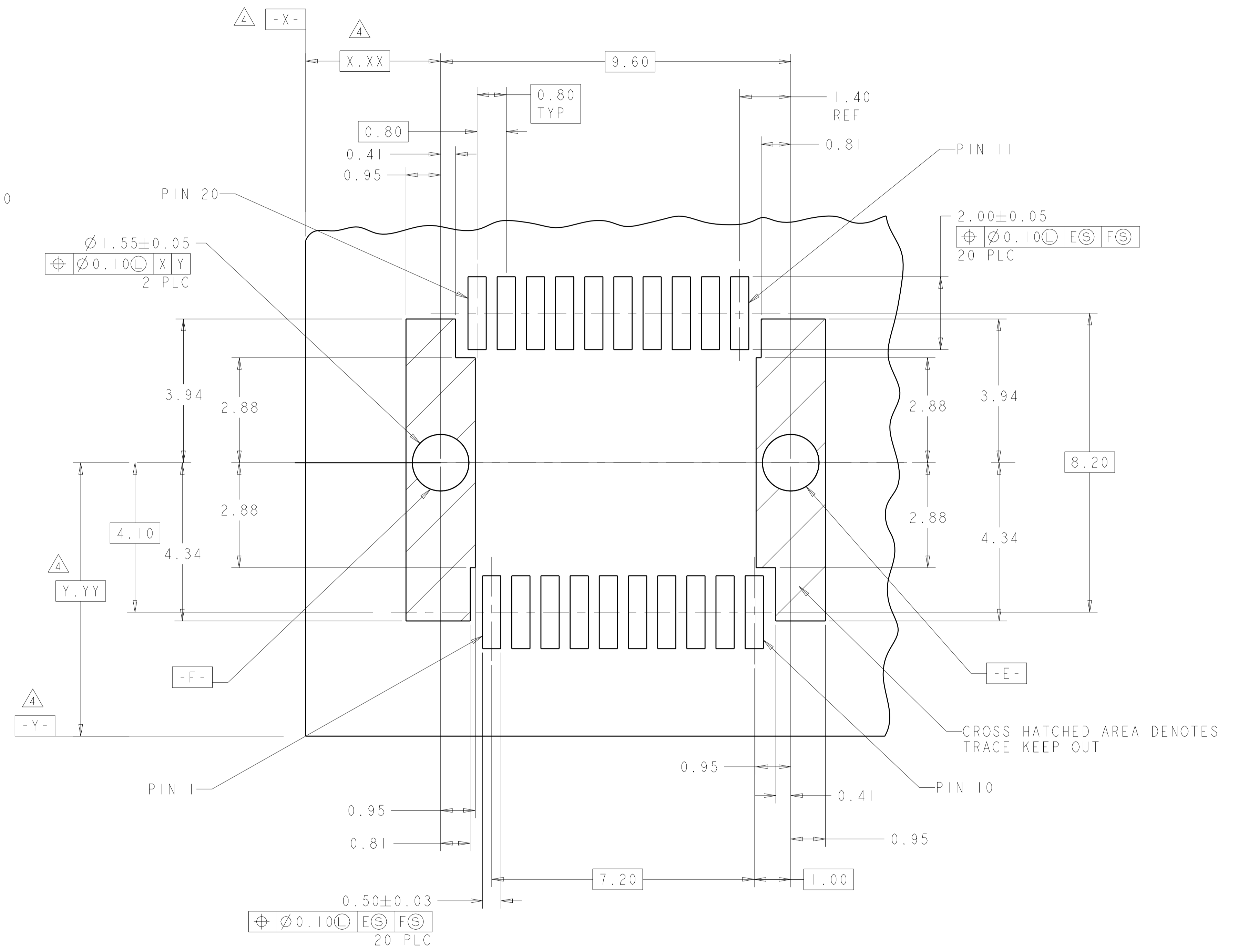
YES	YES	△	1888247-6
PART NUMBER	DATE CODE	FINISH	PART NUMBER

THIS DRAWING IS A CONTROLLED DOCUMENT.		DNM B. MCMASTER 14FEB06		NAME PT CONNECTOR ASSEMBLY, 20 POS, RIGHT ANGLE, 0.8mm PITCH, SFP+
DIMENSIONS:		CHK S. SHUEY 14FEB06		
TOLERANCES UNLESS OTHERWISE SPECIFIED:		APVD S. SHUEY 14FEB06		
0 PLC ± 1 PLC ±0.10 2 PLC ± 3 PLC ± 4 PLC ± ANGLES ±		PRODUCT SPEC 108-1949 APPLICATION SPEC 114-13017		
MATERIAL	FINISH	WEIGHT	SIZE	RESTRICTED TO
-	-	-	A100779C=1888247	-
CUSTOMER DRAWING			SCALE 12:1	SHEET 2 OF 4

LOC		DIST		REVISIONS			
ES	00	P	LTN	DESCRIPTION	DATE	DMN	APVD
		-		SEE SHEET 1			



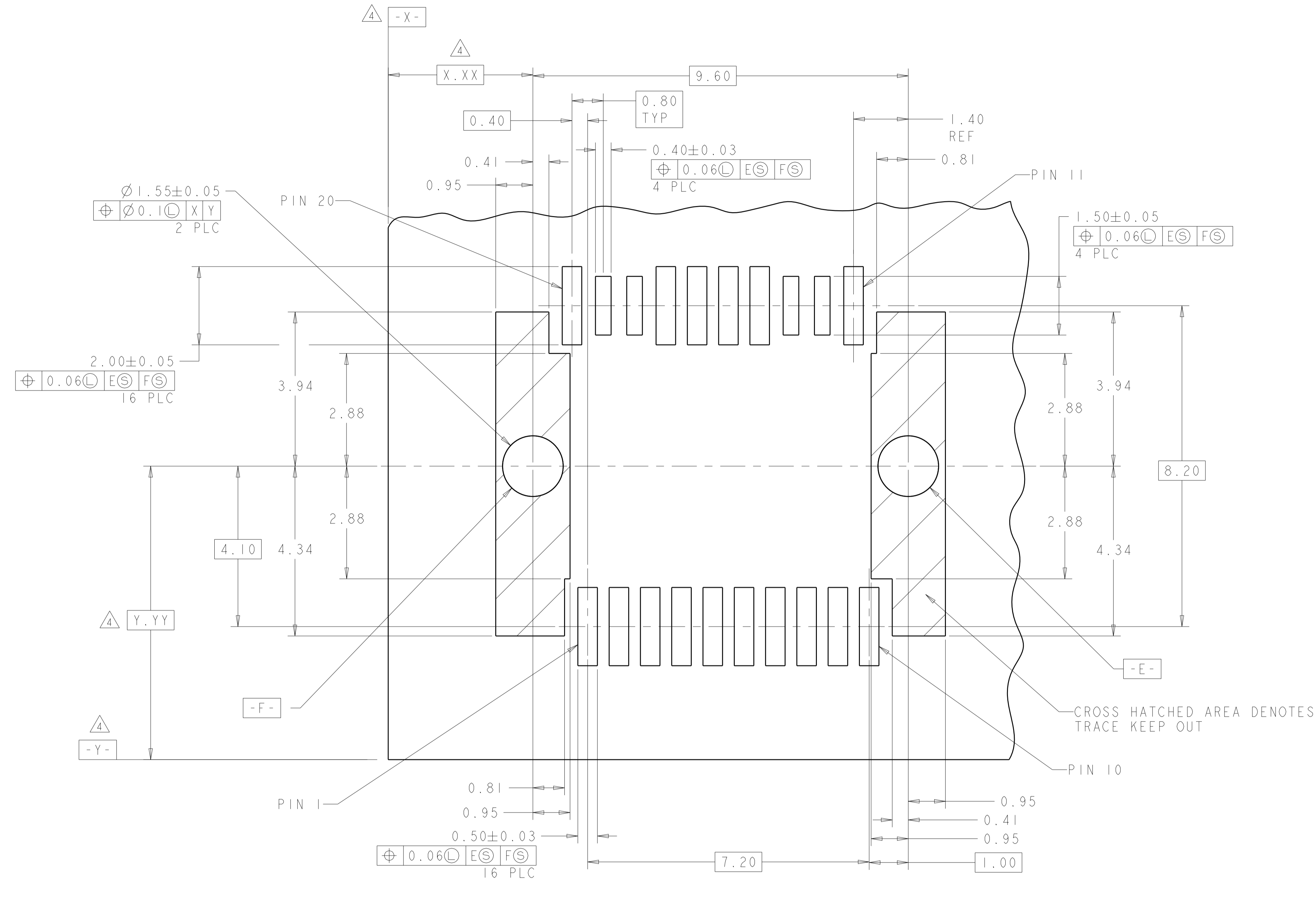
RECOMMENDED LAYOUT DETAIL  
 MATING TRANSCEIVER PCB  
 SCALE 10:1



RECOMMENDED PCB LAYOUT DETAIL  
 CONNCTOR MOUNTING SIDE  
 SCALE 14:1

THIS DRAWING IS A CONTROLLED DOCUMENT.		DMN B. MCMASTER 14FEB06	TE Connectivity
DIMENSIONS: mm		CHK S. SHUEY 14FEB06	
TOLERANCES UNLESS OTHERWISE SPECIFIED:		APVD S. SHUEY 14FEB06	NAME PT CONNECTOR ASSEMBLY, 20 POS, RIGHT ANGLE, 0.8mm PITCH, SFP+
0 PLC ±		PRODUCT SPEC 108-1949	SIZE CAGE CODE DRAWING NO RESTRICTED TO
1 PLC ±0.10		APPLICATION SPEC 114-13017	A100779C=1888247
2 PLC ±		WEIGHT	SCALE 12:1 SHEET 3 OF 4 REV N1
3 PLC ±		CUSTOMER DRAWING	
4 PLC ±			
ANGLES ±			
MATERIAL FINISH			

LOC		DIST		REVISIONS			
ES	00	P	LTH	DESCRIPTION	DATE	DWN	APVD
-	-	-	-	SEE SHEET 1	-	-	-



OPTIONAL LAYOUT FOR IMPROVED SIGNAL INTEGRITY, MOUNTING SIDE  
 SCALE 16:1

THIS DRAWING IS A CONTROLLED DOCUMENT.		DWN B. MCMMASTER 14FEB06	TE Connectivity
DIMENSIONS: mm		CHK S. SHUEY 14FEB06	
TOLERANCES UNLESS OTHERWISE SPECIFIED:		APVD S. SHUEY 14FEB06	NAME
0 PLC ±	1 PLC ±0.10	PRODUCT SPEC	PT CONNECTOR ASSEMBLY, 20 POS, RIGHT ANGLE, 0.8mm PITCH, SFP+
2 PLC ±	3 PLC ±	APPLICATION SPEC	
4 PLC ±	ANGLES ±	114-13017	SIZE CAGE CODE DRAWING NO
MATERIAL	FINISH	WEIGHT	RESTRICTED TO
			A100779C=1888247
CUSTOMER DRAWING		SCALE 12:1	SHEET 4 OF 4