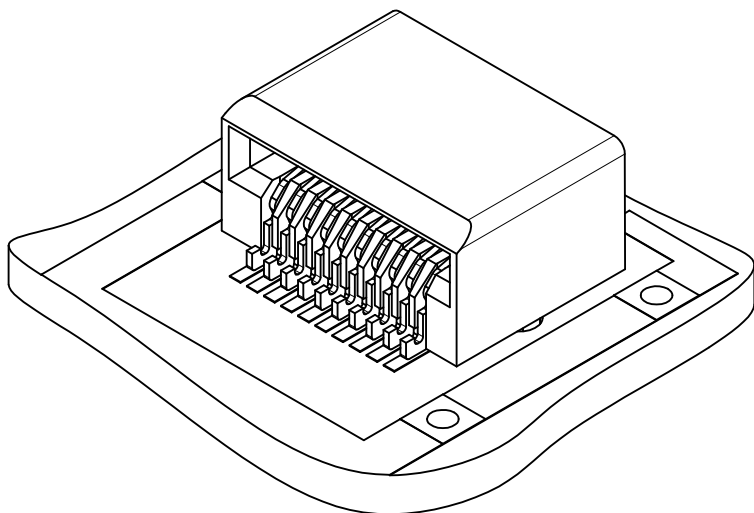


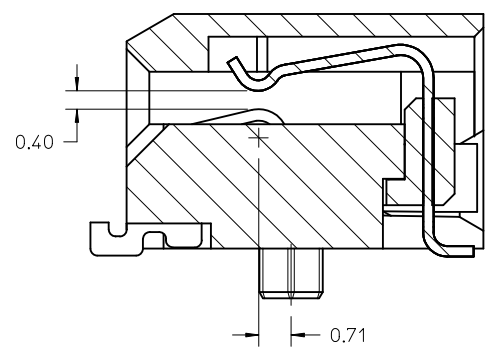
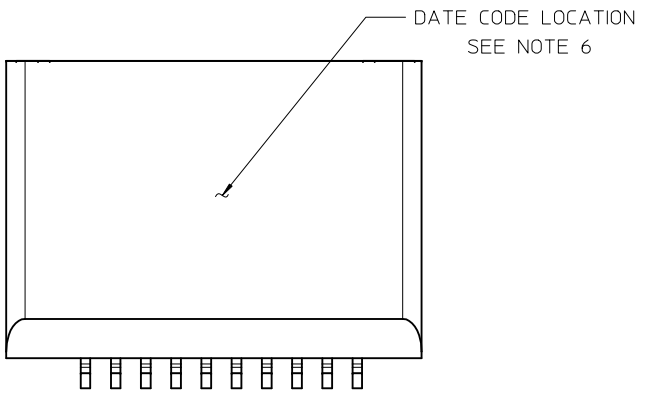
CKT SIZE	PART NUMBER	DESCRIPTION
20	170382-0001	PLATED PER NOTE 2
	170382-0002	PLATED PER NOTE 3
	170382-0003	PLATED PER NOTE 4



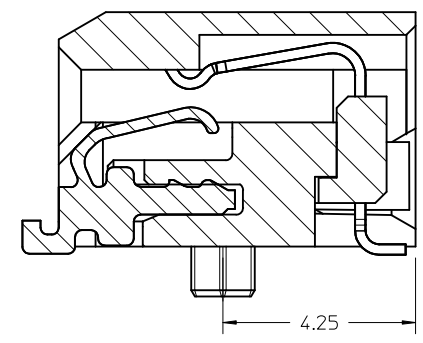
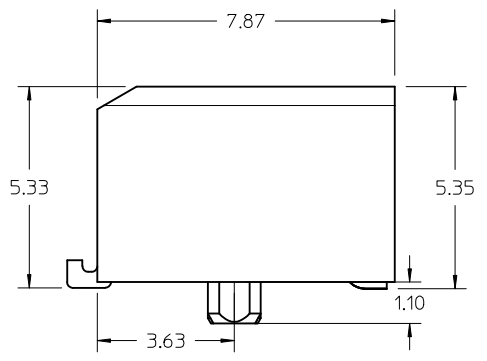
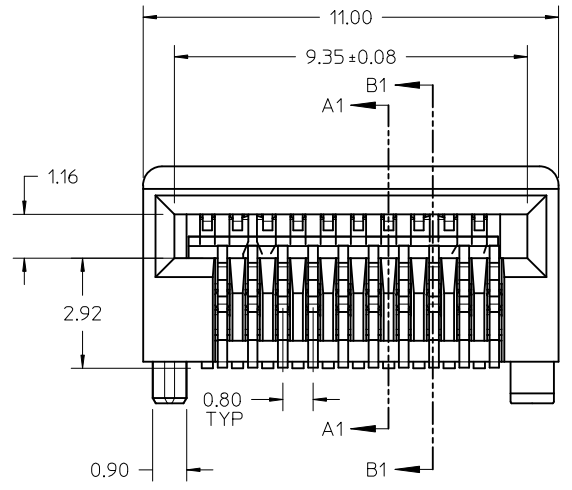
NOTES

- MATERIAL:  
HOUSING - HIGH TEMPERATURE THERMOPLASTIC GLASS FILLED, UL 94V-0, BLACK  
TERMINALS - COPPER ALLOY
- PLATING:  
CONTACT AREA - 0.38  $\mu\text{m}$  MIN GOLD OVER 2.54  $\mu\text{m}$  MIN NICKEL  
SOLDER FOOT AREA - 2.54 - 5.09  $\mu\text{m}$  TIN OVER 2.54  $\mu\text{m}$  MIN NICKEL.
- PLATING:  
CONTACT AREA - 0.76  $\mu\text{m}$  MIN GOLD OVER 2.54  $\mu\text{m}$  NICKEL  
SOLDER AREA - 2.54 - 5.09  $\mu\text{m}$  TIN OVER 2.54  $\mu\text{m}$  MIN NICKEL
- PLATING:  
CONTACT AREA - 0.76  $\mu\text{m}$  MIN GOLD OVER 2.54  $\mu\text{m}$  NICKEL;  
SOLDER AREA: GOLD FLASH OVER 2.54  $\mu\text{m}$  MIN NICKEL.
- TERMINAL SOLDER FEET TO BE COPLANAR WITHIN 0.10
- DATE CODE: 4 DIGIT (3 DIGIT DATE, 1 DIGIT YEAR)

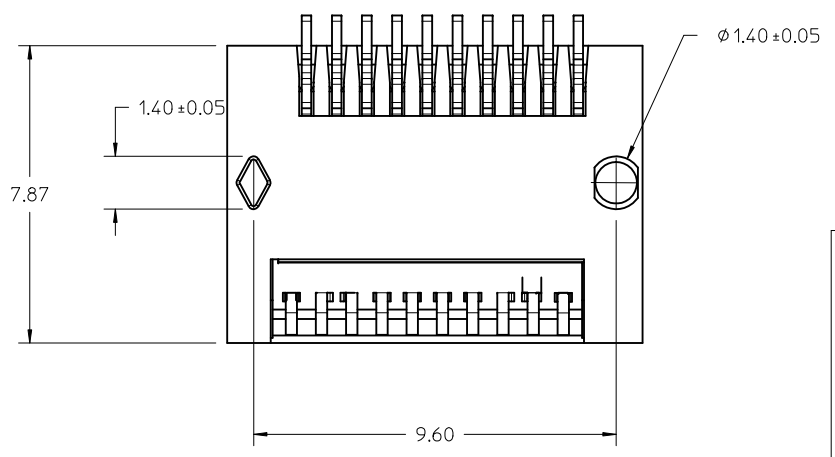
RELEASED EC NO: UCP2012-2043 DRWN: JANTELEZIO 2011/12/28 CHKD: APPR: MBANAKIS 2012/01/13	DESCRIPTION ZSFP+ ASSEMBLY 20CKT SMT	QUALITY SYMBOLS	GENERAL TOLERANCES (UNLESS SPECIFIED)	DIMENSION STYLE	SCALE	DESIGN UNITS	THIRD ANGLE PROJECTION	
			mm INCH	MM ONLY	8:1	METRIC		
		▽=0	4 PLACES ± --- ± ---	DRAWN BY DATE	TITLE ZSFP+ ASSEMBLY 20CKT SMT			
		▽=0	3 PLACES ± --- ± ---	JGONZALEZ01 2010/05/05				
▽=0	2 PLACES ± 0.13 ± ---	CHECKED BY DATE	MATERIAL NO. DOCUMENT NO.					
	1 PLACE ± 0.25 ± ---	JJANTELEZIO 2010/06/23						
	ANGULAR ± 1/2°	APPROVED BY DATE	MOLEX INCORPORATED					
		MBANAKIS 2010/07/15						
			SEE CHART				SHEET NO.	
			DRAFT WHERE APPLICABLE MUST REMAIN WITHIN DIMENSIONS				SD-170382-001	
			THIS DRAWING CONTAINS INFORMATION THAT IS PROPRIETARY TO MOLEX INCORPORATED AND SHOULD NOT BE USED WITHOUT WRITTEN PERMISSION				1 OF 3	



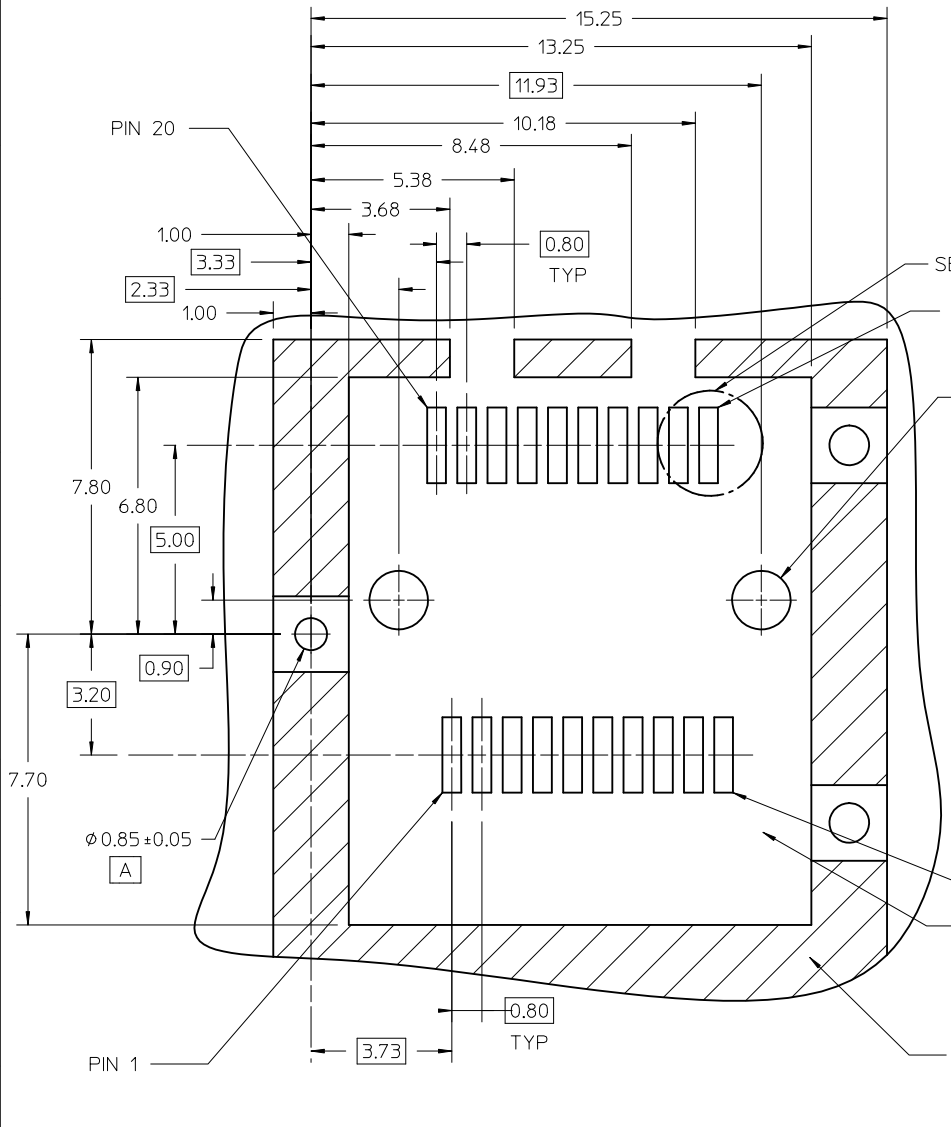
SECTION A1-A1  
SCALE 12:1



SECTION B1-B1  
SCALE 12:1



SEE SHEET 1 EC NO: UCP2012-2043 DRWN: JANTELEZIO 2011/12/28 CHKD: APPR: MBANAKIS 2012/01/13	QUALITY SYMBOLS ∇=0 ∇=0 ∇=0	GENERAL TOLERANCES (UNLESS SPECIFIED)		DIMENSION STYLE <b>MM ONLY</b>	SCALE <b>5:1</b>	DESIGN UNITS <b>METRIC</b>	THIRD ANGLE PROJECTION		
		4 PLACES ± --- ± ---	3 PLACES ± --- ± ---	DRAWN BY JGONZALEZ01	DATE 2010/05/05	TITLE <b>ZSFP+ ASSEMBLY 20CKT SMT</b>			
		2 PLACES ± 0.13 ± ---	1 PLACE ± 0.25 ± ---	CHECKED BY JJANTELEZIO	DATE 2010/06/23	APPROVED BY MBANAKIS 2010/07/15			
		ANGULAR ± 1/2°		MATERIAL NO. SEE SHEET 1		MOLEX INCORPORATED		DOCUMENT NO. SD-170382-001	
DRAFT WHERE APPLICABLE MUST REMAIN WITHIN DIMENSIONS				SIZE C	THIS DRAWING CONTAINS INFORMATION THAT IS PROPRIETARY TO MOLEX INCORPORATED AND SHOULD NOT BE USED WITHOUT WRITTEN PERMISSION				
						SHEET NO. 2 OF 3			



SEE DETAIL A

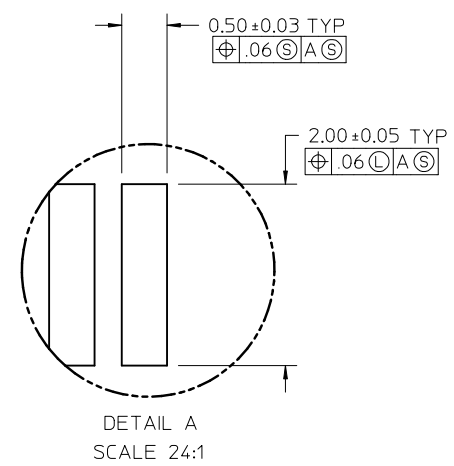
PIN 11

$\phi 1.55 \pm 0.05$  2PLCS  
 $\phi \varnothing 0.1 \text{ (L) (A) (S)}$

PIN 10

THIS AREA DENOTES COMPONENT KEEP-OUT (TRACES ALLOWED)

CROSS HATCHED AREA DENOTES COMPONENT AND TRACE KEEP-OUT (EXCEPT CHASIS GROUND)



<b>SEE SHEET 1</b> EC NO: UCP2012-2043 DRWN: JANTELEZ10 2011/12/28 CHKD: APPR: MBANAKIS 2012/01/13	QUALITY SYMBOLS $\nabla = 0$ $\nabla = 0$ $\nabla = 0$	GENERAL TOLERANCES (UNLESS SPECIFIED)		DIMENSION STYLE	SCALE	DESIGN UNITS	$\text{THIRD ANGLE PROJECTION}$		
				<b>MM ONLY</b>	<b>10:1</b>	<b>METRIC</b>			
						DRAWN BY DATE	TITLE		<b>ZSFP+ ASSEMBLY</b> <b>20CKT SMT</b>
						JGONZALEZ01 2010/05/05			
				CHECKED BY DATE			<b>MOLEX INCORPORATED</b>		
				JJANTELEZ10 2010/06/23					
				APPROVED BY DATE			DOCUMENT NO.		
				MBANAKIS 2010/07/15					
				MATERIAL NO.			SHEET NO.		
							3 OF 3		
				<b>SEE SHEET 1</b>		<b>SD-170382-001</b>			
				DRAFT WHERE APPLICABLE MUST REMAIN WITHIN DIMENSIONS				THIS DRAWING CONTAINS INFORMATION THAT IS PROPRIETARY TO MOLEX INCORPORATED AND SHOULD NOT BE USED WITHOUT WRITTEN PERMISSION	