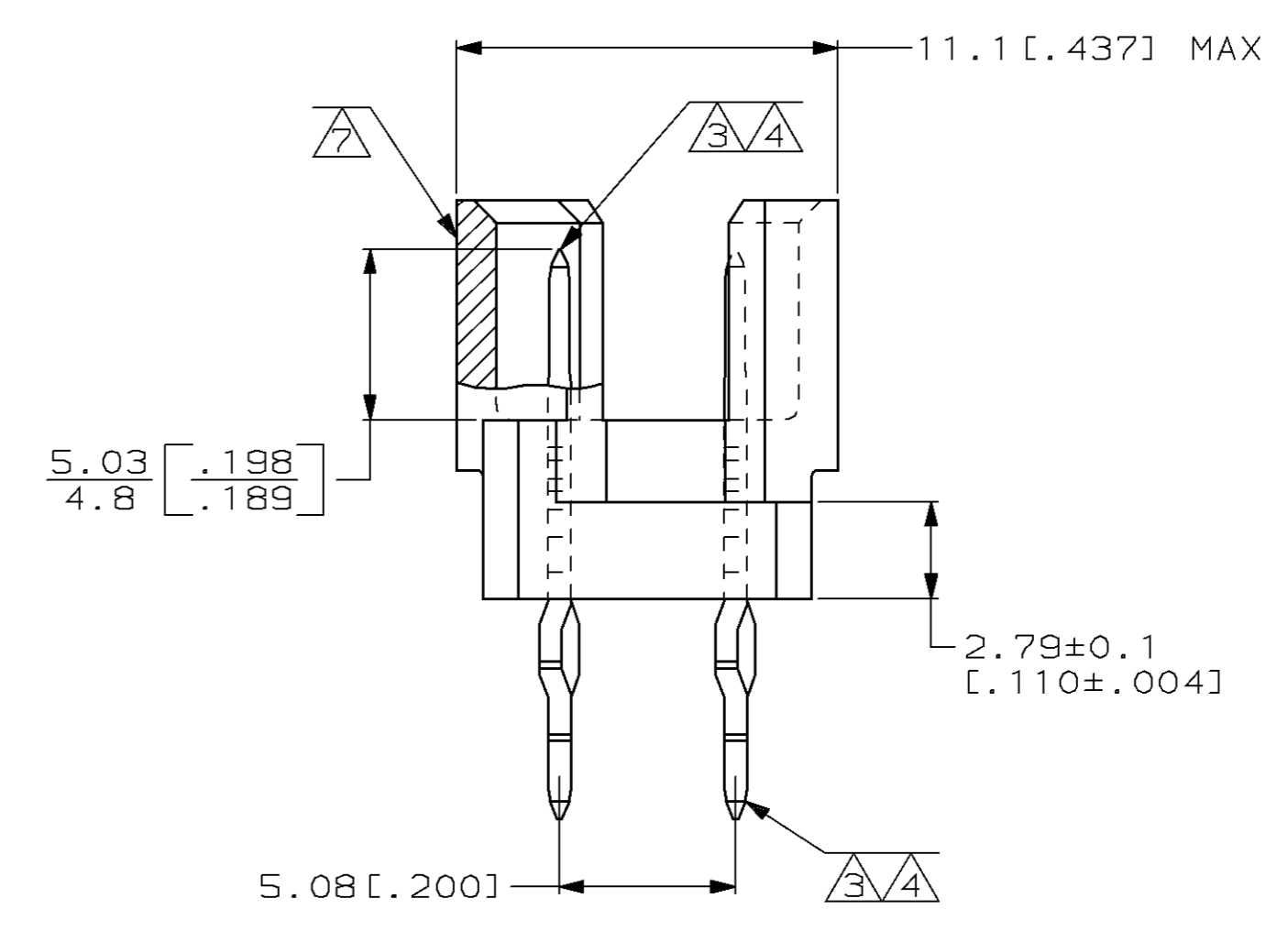
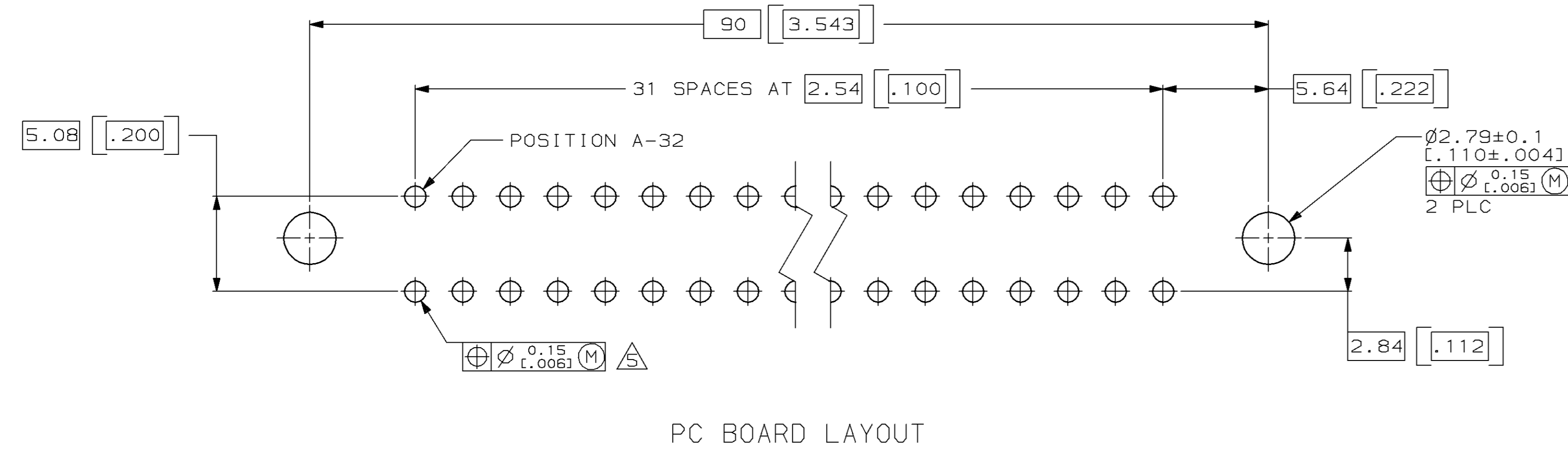
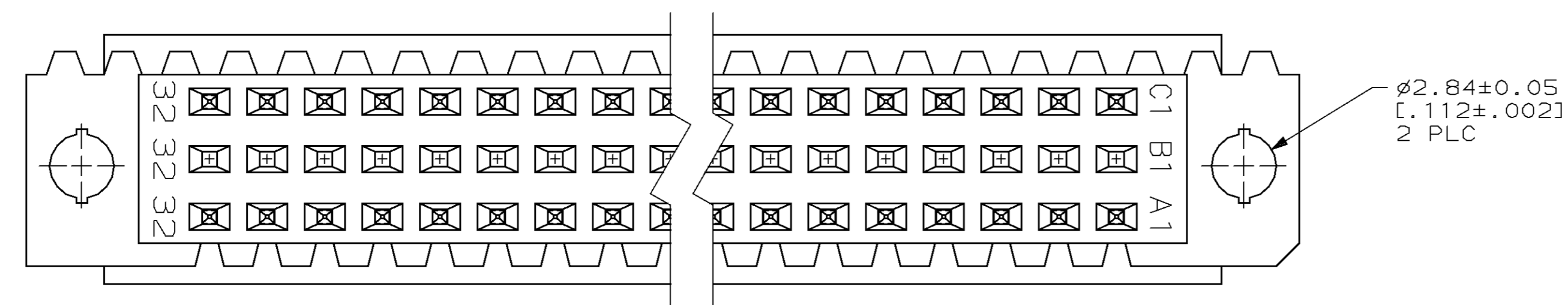
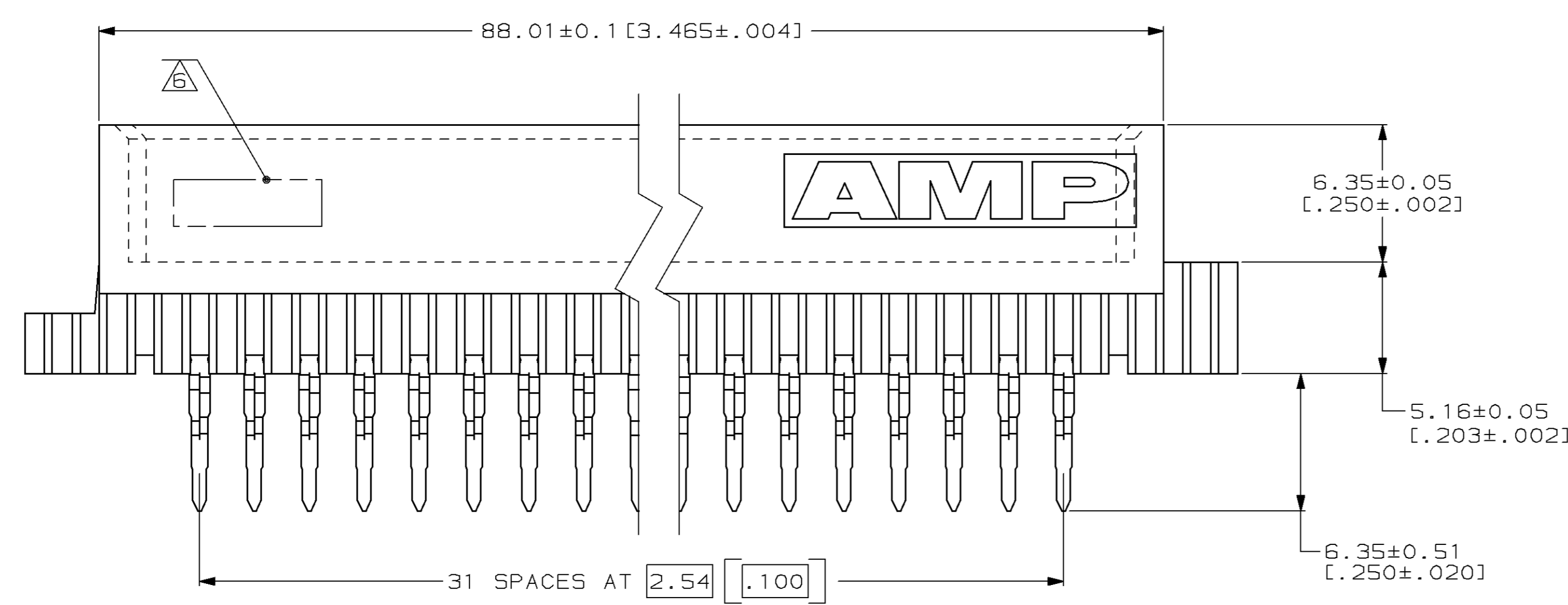
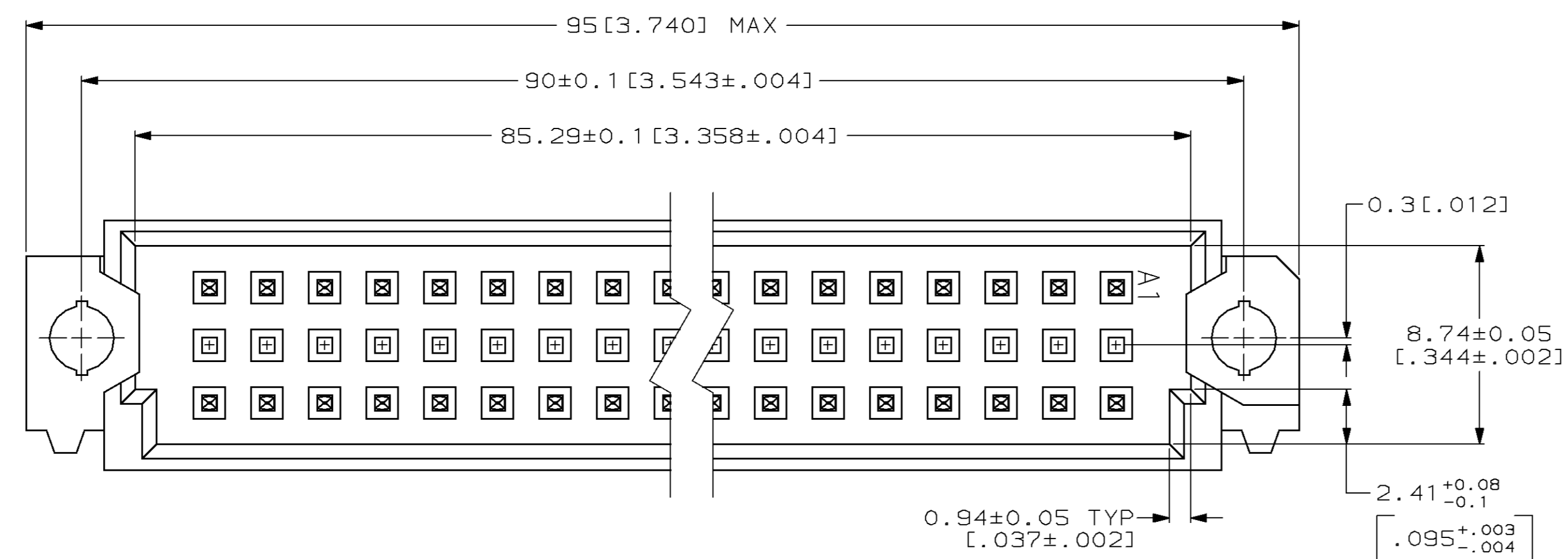


LOC	DIST	P	F	REVISIONS				
				ZONE	LTR	DESCRIPTION	DATE	APPD
	AD	25			O	DRAWN	-	-
					B	ECN AD5586; AD5640	6/10/91	LSB
					C	ECN AD5876	11/14/91	LSB
					D	ECN AD5871	12/30/91	LSB
					E	ECN AD6256	6/2/92	LSB
					F	EC 0010-0151-94	2/7/94	LSB
					G	EC 0010-0436-94	3/25/94	LSB
					H	EC 0010-0077-95	2/24/95	LSB



- △ HOUSING MATERIAL: GLASS-FILLED POLYESTER. COLOR: GRAY.
- △ POST MATERIAL: PHOSPHOR BRONZE.
- △ POST FINISH: DIN 41612 CLASS 3 IN CONTACT AREA. TIN-LEAD PLATE ON POSTS.
- △ POST FINISH: DIN 41612 CLASS 2 IN CONTACT AREA. TIN-LEAD PLATE ON POSTS.
- △ ACTION PIN POSTS REQUIRE 2.36 [0.093] MINIMUM THICK PC BOARD. RECOMMENDED PC BOARD HOLES ARE 1.151 [0.0453] DIA PLATED THROUGH WITH 0.02-0.08 [0.001-.003] COPPER AND 0.008 [0.0003] MINIMUM TIN-LEAD PLATING. FINISHED HOLE AFTER PLATING, 0.94-1.09 [0.037-.043] DIA.
- △ [PART NUMBER, DATE CODE] MARKED THIS APPROXIMATE AREA.
- △ MARKING ON THIS SIDE.

OBSOLETE	△	POSITIONS LOADED	ROWS LOADED			NO. OF LOADED POSITION	ASSY PART NUMBER
			C	B	A		
	△	1-32	X	-	X	64	650912-9
	△	1-32	X	-	X	64	650912-5

DO NOT SCALE PRINT. UNLESS SPECIFIED DIMENSIONS IN mm [INCHES]		TOLERANCES ON:		PART NO	
1 PLC DEC	±	0.13	[0.005]	AMP Incorporated	
2 PLC DEC	±	0.13	[0.005]	Harrisburg, PA 17105-3608	
ANGLES	±			NAME	
				PIN ASSEMBLY, EUROCARD, TYPE "R"	
MATERIAL		DR	L. BRINER	3/18/91	
HOUSING: △		CHK	D.C. RUBENDALL	3/26/91	
POST: △		APPD	D.C. RUBENDALL	3/26/91	
FINISH		APPD	K.R. PARMER	3/26/91	
POST: △△		PRODUCT SPEC			
		APPLICATION SPEC			
		SIZE	D	00779	650912
		CAGE CODE			
		DRAWING NO			
		WEIGHT			
		SCALE		5:1	SHEET 1 OF 1