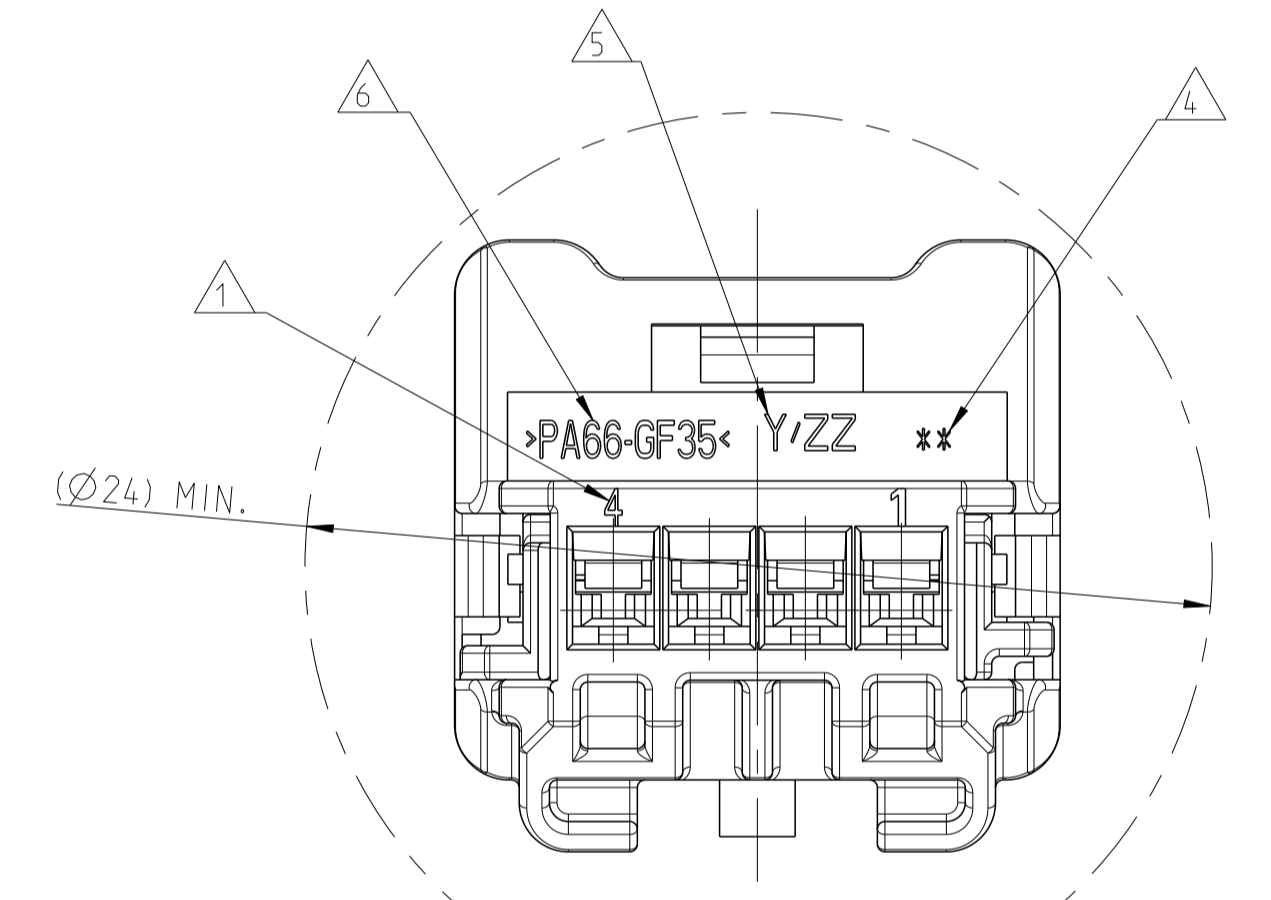
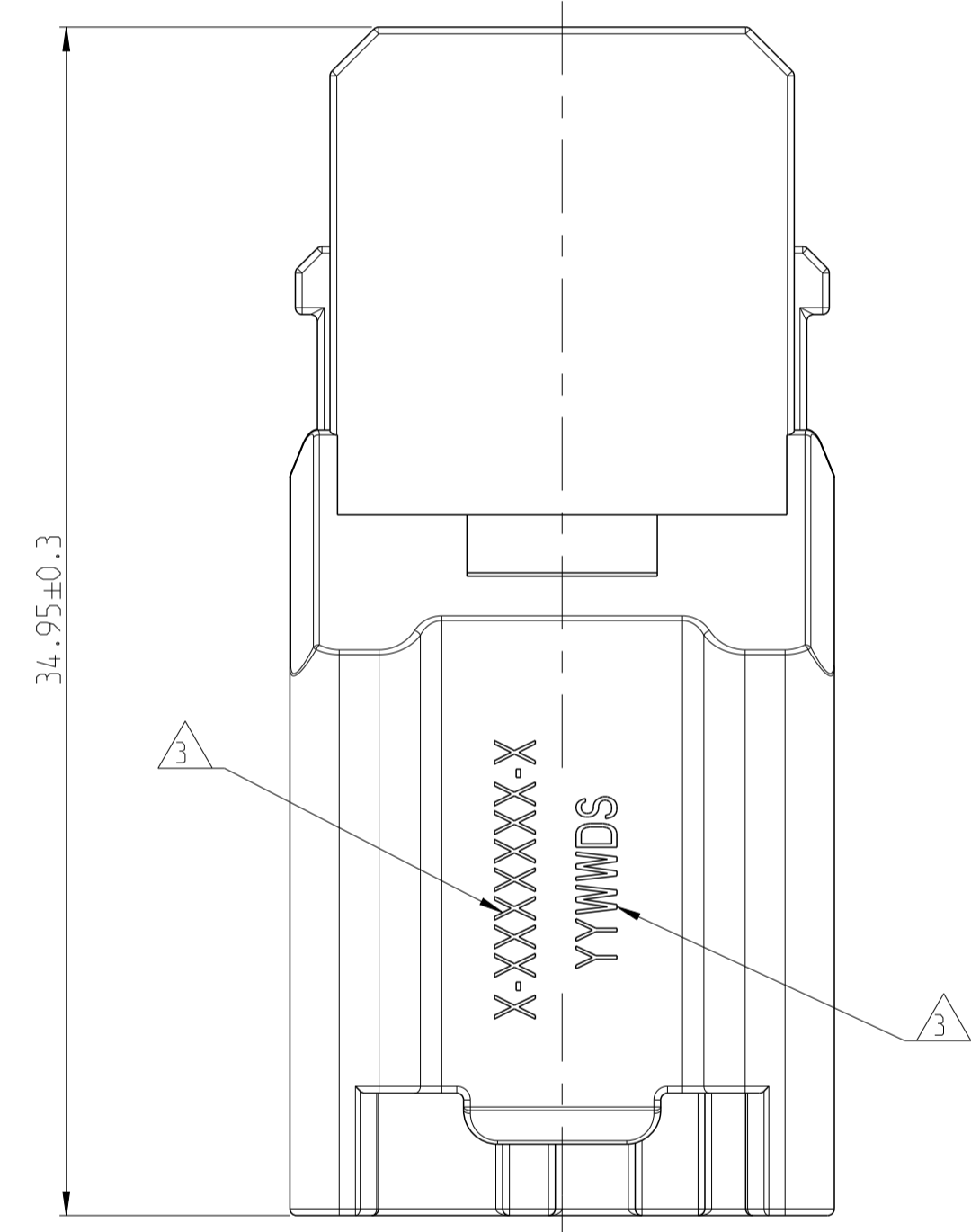
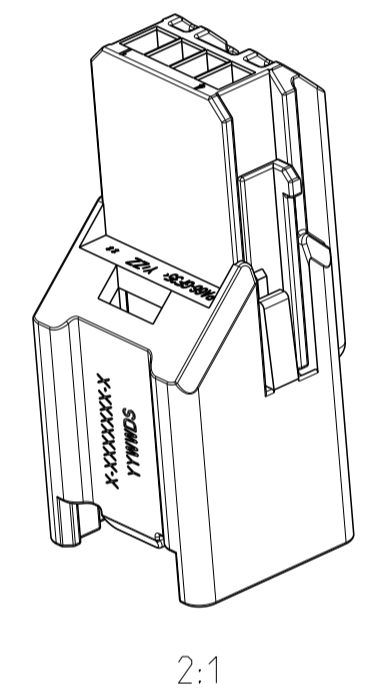
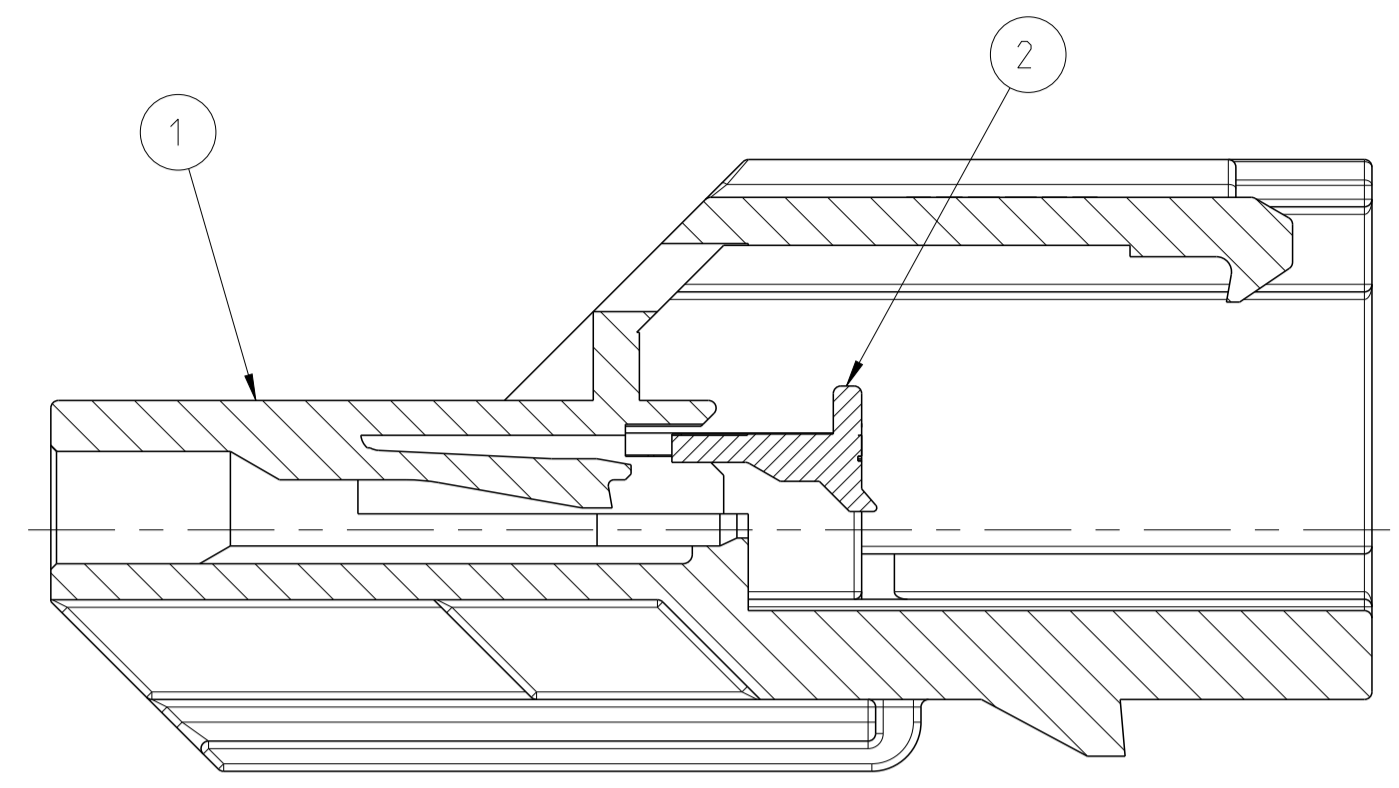
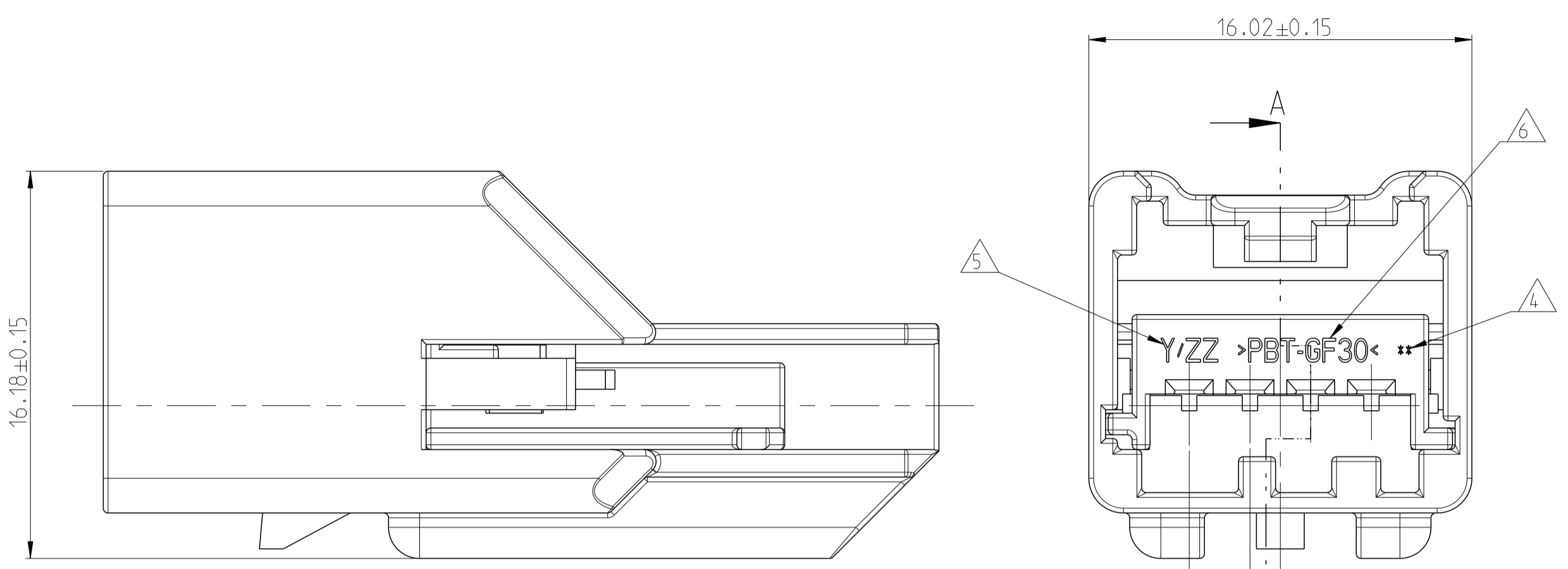
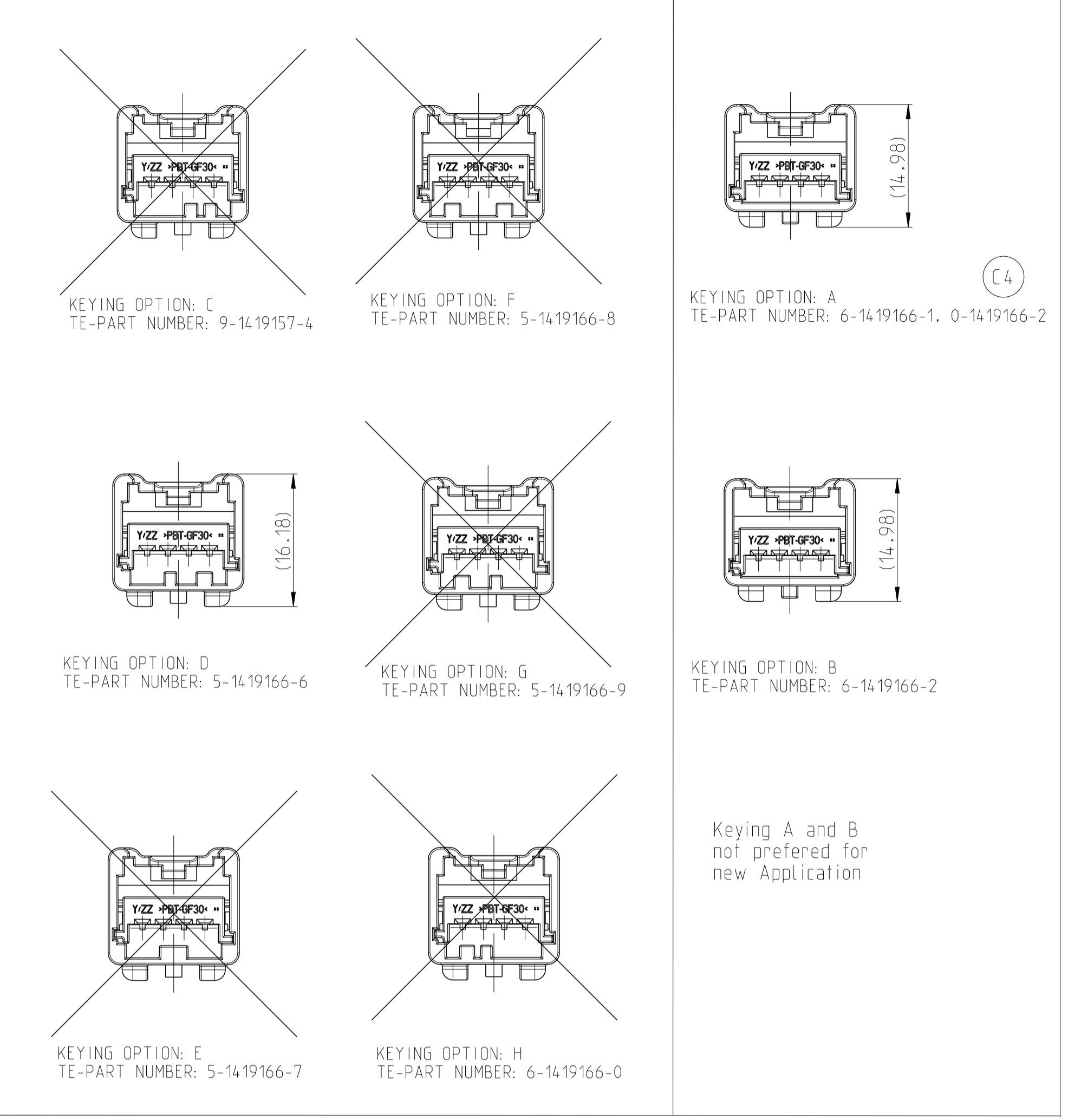


REVISIONS				
P	LTM	DESCRIPTION	DATE	DMN APVD
C2		SEE ECR-09-005805	24APR2009	HM GS
C3		SEE ECR-09-025352	18NOV2009	HM GS
C4		SEE ECR-18-017326	02NOV2018	KC PT

KEYING OPTIONS



- NOTE:
- 1 TERMINAL POSITION NUMBERS LOCATED AS SHOWN
 - 2 DELIVERY CONDITION: SPACER IN PRE-ASSEMBLED POSITION
 - 3 TE-PART NUMBER AND DATE CODE
 - 4 PRODUCT REVISION LEVEL OPTIONAL
 - 5 TOOL NUMBER AND CAVITY NUMBER OPTIONAL
 - 6 MATERIAL IDENTIFICATION
 - 7 PACKING: CONNECTOR ASSEMBLIES BULK PACKED IN CARD BOX
 - 8 KODING D SHOWN

		KEYING OPTIONS												
		A	A	B	C	D	E	F	G	H				
REV	TE- PN	C	C	C	-	B	-	-	-	-				
		0-1419166-2	6-1419166-1	6-1419166-2	9-1419157-4	5-1419166-6	5-1419166-7	5-1419166-8	5-1419166-9	6-1419166-0				
		1	1	1	1	1	1	1	1	1	2	SPACER	PBT-GF30	RED
		-	-	-	-	-	-	-	-	1	1	MALE HOUSING	PA66-GF35	BLACK
		-	-	-	-	-	-	1	-	-	1	MALE HOUSING	PA66-GF35	BLACK
		-	-	-	-	-	1	-	-	-	1	MALE HOUSING	PA66-GF35	BLACK
		-	-	-	-	1	-	-	-	-	1	MALE HOUSING	PA66-GF35	BLACK
		-	-	1	-	-	-	-	-	-	1	MALE HOUSING	PA66-GF35	BLACK
		-	1	-	-	-	-	-	-	-	1	MALE HOUSING	PA66-GF35	BLACK
		1	-	-	-	-	-	-	-	-	1	MALE HOUSING	PA66-GF35	GREY
		QUANTITY									ITEM	DESCRIPTION	MATERIAL	COLOR

THIS DRAWING IS A CONTROLLED DOCUMENT.

DIMENSIONS: mm

TOLERANCES UNLESS OTHERWISE SPECIFIED:

0 PLC # # # # #
 1 PLC # # # # #
 2 PLC # # # # #
 3 PLC # # # # #
 4 PLC # # # # #
 ANGLES # # # # #

MATERIAL: -
 FINISH: -

DMN: MAL INAK 09MAY2001
 CHK: G.Steinbach 10MAY2001
 APVD: G.Steinbach 10MAY2001

PRODUCT SPEC: -
 APPLICATION SPEC: -

WEIGHT: -
 CUSTOMER DRAWING: -

NAME: 1 x 4 POS. GET MALE CONNECTOR, UNSEALED ASSEMBLY

SIZE: A1
 CAGE CODE: 00779
 DRAWING NO: C=9-1419157-4

RESTRICTED TO: -
 REV: C4

SCALE: 5:1
 SHEET: 1 OF 1