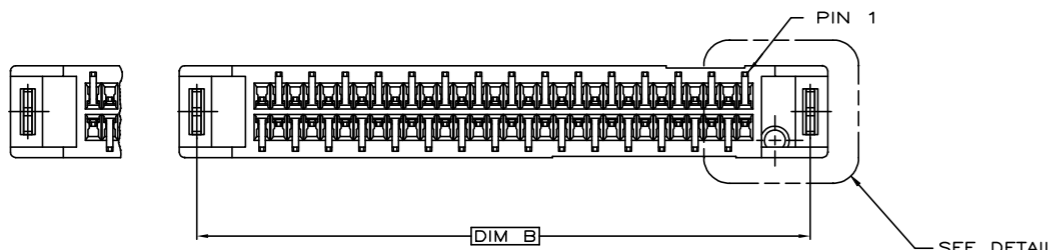
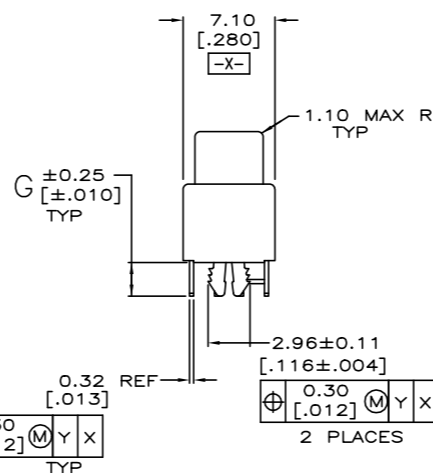
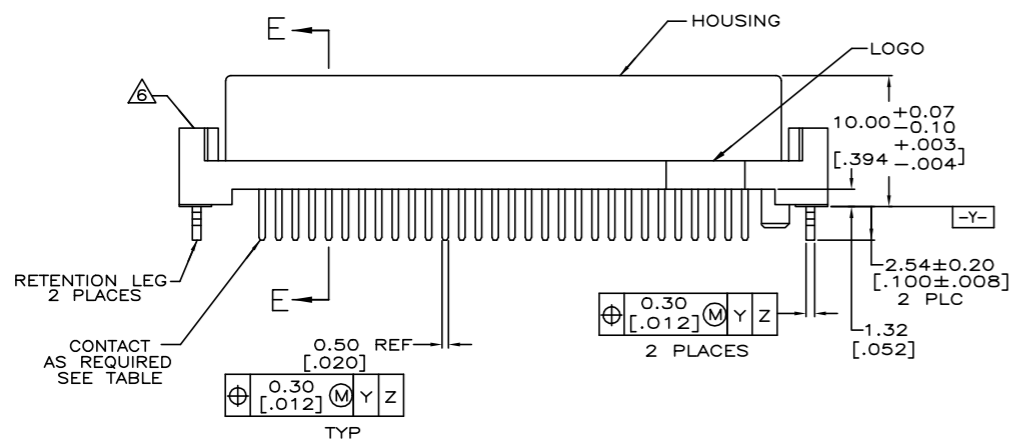
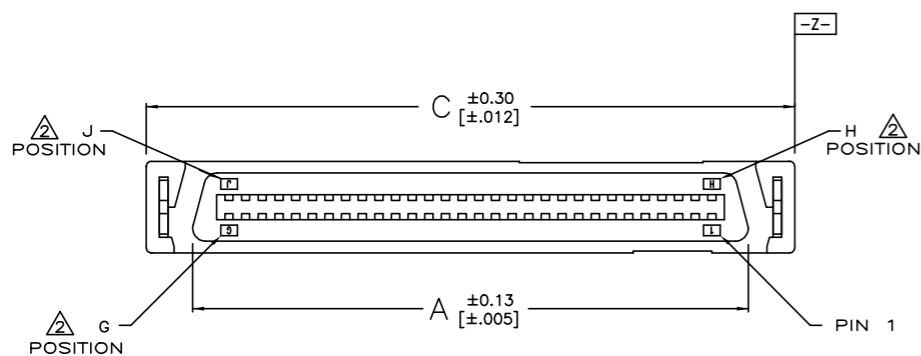
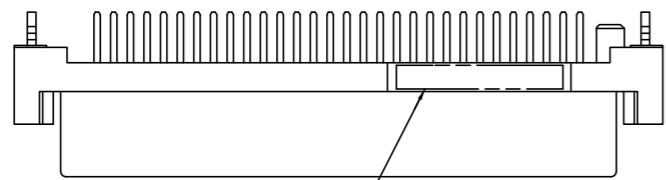


LOC DW DIST

REVISIONS

P	LTR	DESCRIPTION	DATE	DWN	APVD
E4		REVISED PER ECN-23-202744	14MAR23	IT	WH

- MATERIALS:**  
 HOUSING- PPA RESIN, BLACK, MOLDING COMPOUND.  
 CONTACTS- PHOSPHOR BRONZE PLATED WITH MINIMUM THICK (SEE TABLE) GOLD IN CONTACT AREA AND 3.8µm [.000150] MINIMUM THICK MATTE TIN ON SOLDER TINES OVER 1.27µm [.000050] MINIMUM THICK NICKEL UNDERPLATE.  
 RETENTION LEG- BRASS PLATED WITH 3.8µm [.000150] MINIMUM TIN-Cu OVER 1.3µm [.000051] MINIMUM NICKEL UNDERPLATE.
- ② G, J, AND H INDICATE NUMBER OF POSITION MARKED ON ASSEMBLY. ALSO SEE TABLE.  
 ③ ALL DIMENSIONS SHOWN ARE MAXIMUM UNLESS OTHERWISE SPECIFIED.  
 4. 60 POSITION AS SHOWN.  
 ⑤ RETENTION LEGS NOT PRESENT.  
 ⑥ TOP OF RETENTION LEG MAY NOT PROTRUDE ABOVE THIS SURFACE.  
 ⑦ HOUSING BOW UP TO 0.30 [.012] ALLOWED.  
 ⑧ CONNECTOR WILL ACCOMMODATE MATING PRINTED CIRCUIT BOARD OF 1.6±0.07 [.063±.003] THICKNESS.  
 9. ALWAYS RoHS/ELV COMPLIANT.  
 10. WAVE SOLDER CAPABLE TO 265°C PER TE SPEC 109-202, CONDITION B.  
 ① REMOVE CONTACT POSITION FROM #11~#17 AND #36~#42.  
 ② RECOMMEND CARD EDGE DIM. (PAGE2)  
 ③ GOLD FLASH OVER 0.762µm MIN PALLADIUM-NICKEL PLATED, OR 0.762µm MIN GOLD PLATED.  
 ④ OBSOLETE  
 ⑤ REMOVE CONTACT POSITION FROM #23~#29 AND #57~#63.



PCB THICKNESS	G	F	C	B	A	G	J	H	A	GOLD PLATED	PART NUMBER	Note	POS.
2.36 [.093]	3.30 [.130]	38.53 [1.517]	49.45 [1.947]	46.81 [1.843]	42.37 [1.668]	30	60	31	③	③	8-1734101-6		60
2.36 [.093]	3.30 [.130]	127.43 [5.017]	138.35 [5.447]	135.71 [5.343]	131.27 [5.168]	100	200	101	③	③	0.381µm[15u"] 5-1734101-6		200
0.8-1.6 [.031-.063]	2.54 [.100]	127.43 [5.017]	138.35 [5.447]	135.71 [5.343]	131.27 [5.168]	100	200	101	③	③	0.381µm[15u"] 3-1734101-6		200
0.8-1.6 [.031-.063]	2.54 [.100]	127.43 [5.017]	138.35 [5.447]	135.71 [5.343]	131.27 [5.168]	100	200	101	③	③	0.381µm[15u"] 1-1734101-6		200
0.8-1.6 [.031-.063]	2.54 [.100]	102.03 [4.017]	112.95 [4.447]	110.31 [4.343]	105.87 [4.168]	80	160	81	③	③	0.381µm[15u"] 5-1734101-5		160
0.8-1.6 [.031-.063]	2.54 [.100]	102.03 [4.017]	112.95 [4.447]	110.31 [4.343]	105.87 [4.168]	80	160	81	③	③	0.381µm[15u"] 3-1734101-4		160
0.8-1.6 [.031-.063]	2.54 [.100]	102.03 [4.017]	112.95 [4.447]	110.31 [4.343]	105.87 [4.168]	80	160	81	③	③	0.381µm[15u"] 1-1734101-4		160
2.36 [.093]	3.30 [.130]	76.63 [3.017]	87.55 [3.447]	84.91 [3.343]	80.47 [3.168]	60	120	61	③	③	0.381µm[15u"] 5-1734101-3		120
2.36 [.093]	3.30 [.130]	76.63 [3.017]	87.55 [3.447]	84.91 [3.343]	80.47 [3.168]	60	120	61	③	③	0.381µm[15u"] 3-1734101-3		120
0.8-1.6 [.031-.063]	2.54 [.100]	76.63 [3.017]	87.55 [3.447]	84.91 [3.343]	80.47 [3.168]	60	120	61	③	③	0.381µm[15u"] 1-1734101-3		120
2.36 [.093]	3.30 [.130]	63.93 [2.517]	74.85 [2.947]	72.21 [2.843]	67.77 [2.668]	50	100	51	③	③	0.381µm[15u"] 5-1734101-2		100
2.36 [.093]	3.30 [.130]	63.93 [2.517]	74.85 [2.947]	72.21 [2.843]	67.77 [2.668]	50	100	51	③	③	0.381µm[15u"] 3-1734101-2		100
0.8-1.6 [.031-.063]	2.54 [.100]	63.93 [2.517]	74.85 [2.947]	72.21 [2.843]	67.77 [2.668]	50	100	51	③	③	0.381µm[15u"] 1-1734101-2		100
2.36 [.093]	3.30 [.130]	63.93 [2.517]	74.85 [2.947]	72.21 [2.843]	67.77 [2.668]	50	100	51	③	③	0.381µm[15u"] 5-1734101-1		100
2.36 [.093]	3.30 [.130]	63.93 [2.517]	74.85 [2.947]	72.21 [2.843]	67.77 [2.668]	50	100	51	③	③	0.381µm[15u"] 3-1734101-1		100
0.8-1.6 [.031-.063]	2.54 [.100]	63.93 [2.517]	74.85 [2.947]	72.21 [2.843]	67.77 [2.668]	50	100	51	③	③	0.381µm[15u"] 1-1734101-1		100
0.8-1.6 [.031-.063]	2.54 [.100]	51.23 [2.017]	62.15 [2.447]	59.51 [2.343]	55.07 [2.168]	40	80	41	③	③	0.381µm[15u"] 5-1734101-0		80
0.8-1.6 [.031-.063]	2.54 [.100]	51.23 [2.017]	62.15 [2.447]	59.51 [2.343]	55.07 [2.168]	40	80	41	③	③	0.381µm[15u"] 3-1734101-0		80
0.8-1.6 [.031-.063]	2.54 [.100]	51.23 [2.017]	62.15 [2.447]	59.51 [2.343]	55.07 [2.168]	40	80	41	③	③	0.381µm[15u"] 1-1734101-0		80
2.36 [.093]	3.30 [.130]	51.23 [2.017]	62.15 [2.447]	59.51 [2.343]	55.07 [2.168]	40	80	41	③	③	0.381µm[15u"] 5-1734101-8		80
2.36 [.093]	3.30 [.130]	51.23 [2.017]	62.15 [2.447]	59.51 [2.343]	55.07 [2.168]	40	80	41	③	③	0.381µm[15u"] 3-1734101-8		80
0.8-1.6 [.031-.063]	2.54 [.100]	51.23 [2.017]	62.15 [2.447]	59.51 [2.343]	55.07 [2.168]	40	80	41	③	③	0.381µm[15u"] 1-1734101-8		80
0.8-1.6 [.031-.063]	2.54 [.100]	51.23 [2.017]	62.15 [2.447]	59.51 [2.343]	55.07 [2.168]	40	80	41	③	③	0.381µm[15u"] 5-1734101-9		80
0.8-1.6 [.031-.063]	2.54 [.100]	51.23 [2.017]	62.15 [2.447]	59.51 [2.343]	55.07 [2.168]	40	80	41	③	③	0.381µm[15u"] 3-1734101-9		80
0.8-1.6 [.031-.063]	2.54 [.100]	51.23 [2.017]	62.15 [2.447]	59.51 [2.343]	55.07 [2.168]	40	80	41	③	③	0.381µm[15u"] 1-1734101-9		80
0.8-1.6 [.031-.063]	2.54 [.100]	51.23 [2.017]	62.15 [2.447]	59.51 [2.343]	55.07 [2.168]	40	80	41	③	③	0.381µm[15u"] 5-1734101-8		80
0.8-1.6 [.031-.063]	2.54 [.100]	51.23 [2.017]	62.15 [2.447]	59.51 [2.343]	55.07 [2.168]	40	80	41	③	③	0.381µm[15u"] 3-1734101-8		80
0.8-1.6 [.031-.063]	2.54 [.100]	51.23 [2.017]	62.15 [2.447]	59.51 [2.343]	55.07 [2.168]	40	80	41	③	③	0.381µm[15u"] 1-1734101-8		80
0.8-1.6 [.031-.063]	2.54 [.100]	43.61 [1.717]	54.53 [2.147]	51.89 [2.043]	47.45 [1.868]	34	68	35	③	③	0.381µm[15u"] 5-1734101-7		68
0.8-1.6 [.031-.063]	2.54 [.100]	43.61 [1.717]	54.53 [2.147]	51.89 [2.043]	47.45 [1.868]	34	68	35	③	③	0.381µm[15u"] 3-1734101-7		68
0.8-1.6 [.031-.063]	2.54 [.100]	43.61 [1.717]	54.53 [2.147]	51.89 [2.043]	47.45 [1.868]	34	68	35	③	③	0.381µm[15u"] 1-1734101-7		68
0.8-1.6 [.031-.063]	2.54 [.100]	38.53 [1.517]	49.45 [1.947]	46.81 [1.843]	42.37 [1.668]	30	60	31	③	③	0.381µm[15u"] 4-1734101-6		60
0.8-1.6 [.031-.063]	2.54 [.100]	38.53 [1.517]	49.45 [1.947]	46.81 [1.843]	42.37 [1.668]	30	60	31	③	③	0.381µm[15u"] 2-1734101-6		60
0.8-1.6 [.031-.063]	2.54 [.100]	38.53 [1.517]	49.45 [1.947]	46.81 [1.843]	42.37 [1.668]	30	60	31	③	③	0.381µm[15u"] 1-1734101-6		60
2.36 [.093]	3.30 [.130]	32.18 [1.267]	43.10 [1.697]	40.46 [1.593]	36.02 [1.418]	25	50	26	③	③	0.381µm[15u"] 5-1734101-7		50
2.36 [.093]	3.30 [.130]	32.18 [1.267]	43.10 [1.697]	40.46 [1.593]	36.02 [1.418]	25	50	26	③	③	0.381µm[15u"] 3-1734101-7		50
0.8-1.6 [.031-.063]	2.54 [.100]	32.18 [1.267]	43.10 [1.697]	40.46 [1.593]	36.02 [1.418]	25	50	26	③	③	0.381µm[15u"] 1-1734101-7		50
0.8-1.6 [.031-.063]	2.54 [.100]	32.18 [1.267]	43.10 [1.697]	40.46 [1.593]	36.02 [1.418]	25	50	26	③	③	0.381µm[15u"] 5-1734101-5		50
0.8-1.6 [.031-.063]	2.54 [.100]	32.18 [1.267]	43.10 [1.697]	40.46 [1.593]	36.02 [1.418]	25	50	26	③	③	0.381µm[15u"] 3-1734101-5		50
0.8-1.6 [.031-.063]	2.54 [.100]	32.18 [1.267]	43.10 [1.697]	40.46 [1.593]	36.02 [1.418]	25	50	26	③	③	0.381µm[15u"] 1-1734101-5		50
0.8-1.6 [.031-.063]	2.54 [.100]	25.83 [1.017]	36.75 [1.447]	34.11 [1.343]	29.67 [1.168]	20	40	21	③	③	0.381µm[15u"] 4-1734101-4		40
0.8-1.6 [.031-.063]	2.54 [.100]	25.83 [1.017]	36.75 [1.447]	34.11 [1.343]	29.67 [1.168]	20	40	21	③	③	0.381µm[15u"] 2-1734101-4		40
0.8-1.6 [.031-.063]	2.54 [.100]	25.83 [1.017]	36.75 [1.447]	34.11 [1.343]	29.67 [1.168]	20	40	21	③	③	0.381µm[15u"] 1-1734101-4		40
0.8-1.6 [.031-.063]	2.54 [.100]	-	30.40 [1.197]	27.96 [1.101]	23.32 [.918]	15	30	16	③	③	0.381µm[15u"] 4-1734101-3		30
0.8-1.6 [.031-.063]	2.54 [.100]	-	30.40 [1.197]	27.96 [1.101]	23.32 [.918]	15	30	16	③	③	0.381µm[15u"] 2-1734101-3		30
0.8-1.6 [.031-.063]	2.54 [.100]	-	30.40 [1.197]	27.96 [1.101]	23.32 [.918]	15	30	16	③	③	0.381µm[15u"] 1-1734101-3		30

THIS DRAWING IS A CONTROLLED DOCUMENT.

DIMENSIONS: MM	TOLERANCES UNLESS OTHERWISE SPECIFIED:
0 PLC ± -	1 PLC ± -
2 PLC ± -	3 PLC ± -
4 PLC ± -	ANGLES ± -
MATERIAL SEE NOTE	FINISH SEE NOTE

DWN 31MAR2009  
 F. YANG  
 CHK 31MAR2009  
 S. CHIEN  
 APVD 31MAR2009  
 W. KODAMA  
 PRODUCT SPEC  
 108-57876  
 QUALIFICATION TEST REPORT  
 WEIGHT -  
 CUSTOMER DRAWING

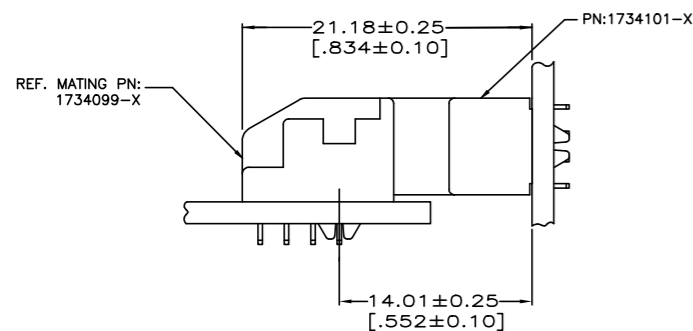
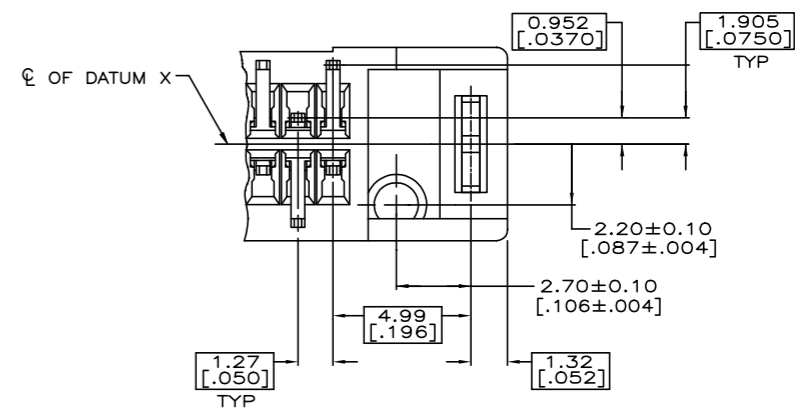
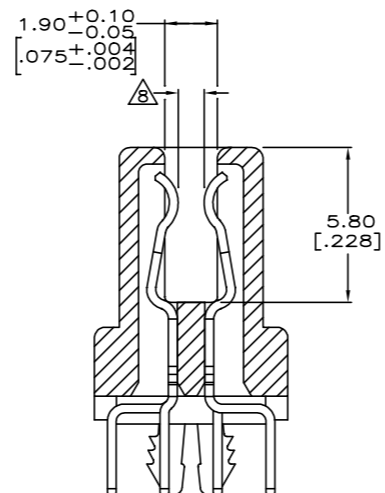
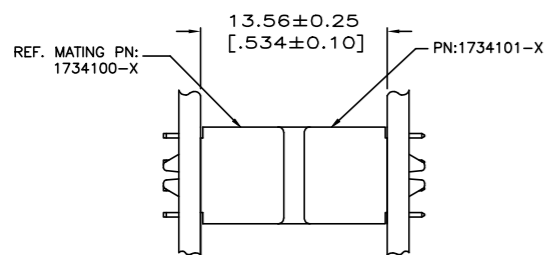
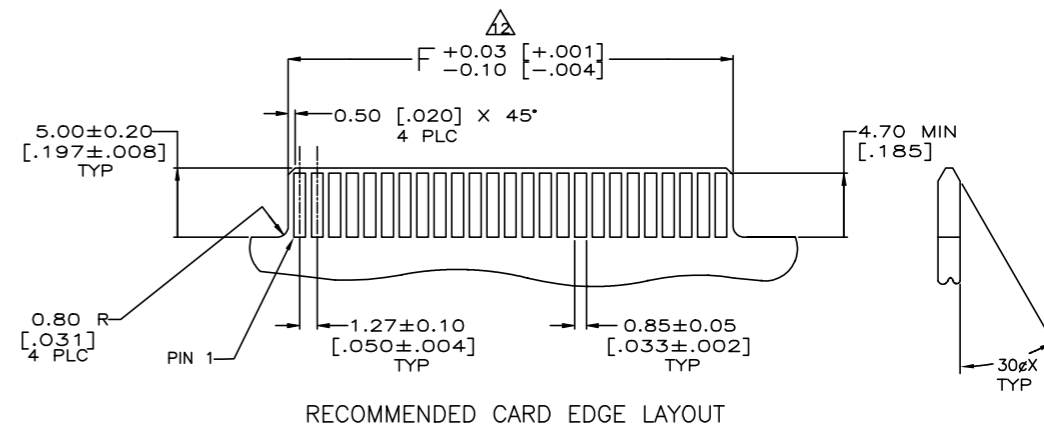
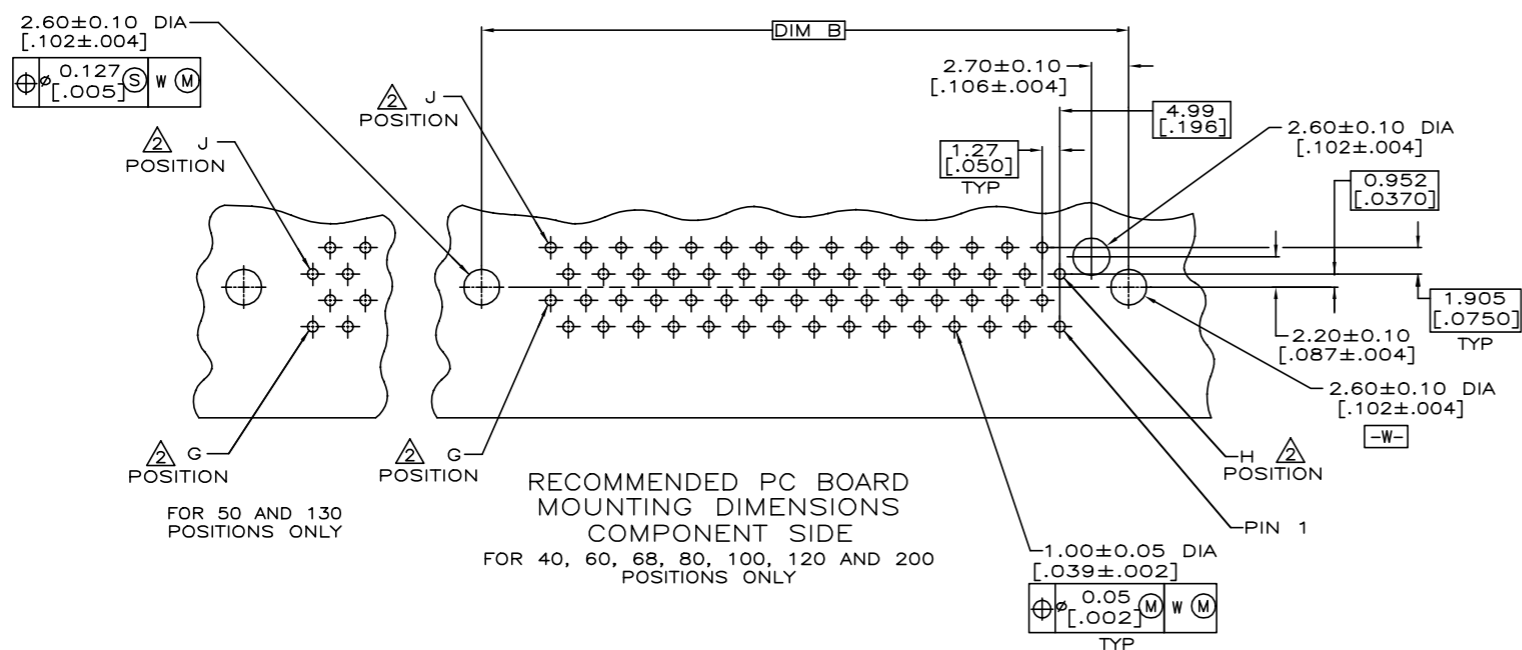
**TE** TE Connectivity

RECEPTACLE ASSEMBLY,  
 VERTICAL, BOARD-TO-BOARD,  
 CHAMP.050, SERIES I,

SIZE A3 CAGE CODE 00779 DRAWING NO C=1734101 RESTRICTED TO -

SCALE - SHEET 1 OF 4 REV E4

LOC DW	DIST /	REVISIONS			
P	LTR	DESCRIPTION	DATE	DWN	APVD
		SEE SHEET 1.			



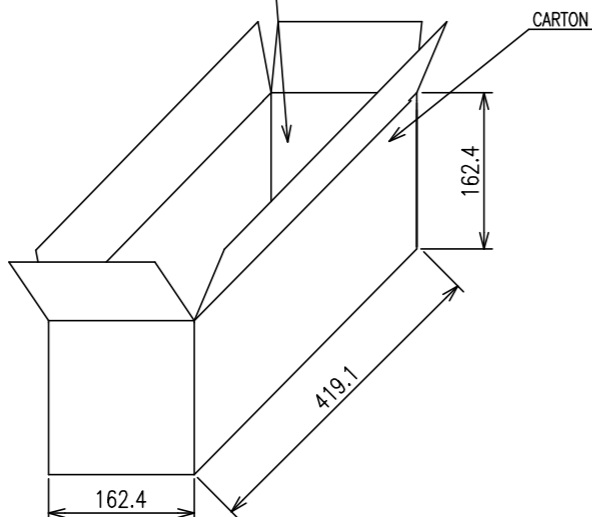
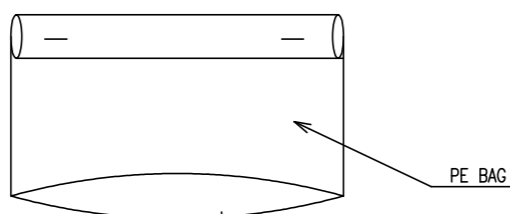
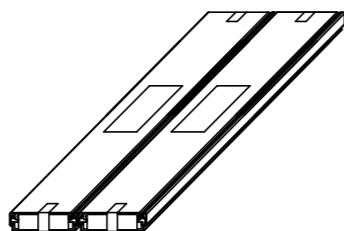
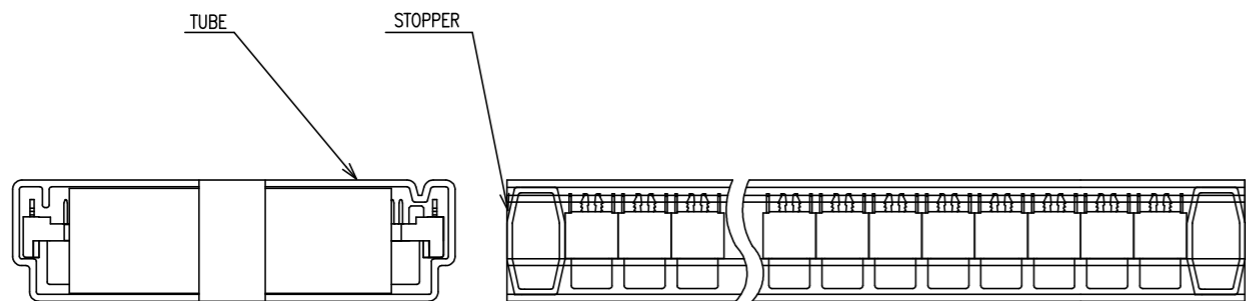
SECTION E-E  
SCALE 8:1

DETAIL D  
SCALE 8:1

THIS DRAWING IS A CONTROLLED DOCUMENT.		DWN				
		CHK				
DIMENSIONS: MM		APVD	NAME			
		PRODUCT SPEC	RECEPTACLE ASSEMBLY, VERTICAL, BOARD-TO-BOARD, CHAMP.050, SERIES I,			
		QUALIFICATION TEST REPORT				
MATERIAL		WEIGHT	SIZE	CAGE CODE	DRAWING NO	RESTRICTED TO
FINISH			A3	00779	C=1734101	
CUSTOMER DRAWING			SCALE	SHEET	REV	
				2 OF 4	E4	

THIS DRAWING IS UNPUBLISHED. RELEASED FOR PUBLICATION AUG ,2006.  
 © COPYRIGHT BY TYCO ELECTRONICS CORPORATION. ALL RIGHTS RESERVED.

LOC	DIST	REVISIONS				
P	LTR	DESCRIPTION	DATE	DWN	APVD	
		SEE SHEET 1.				

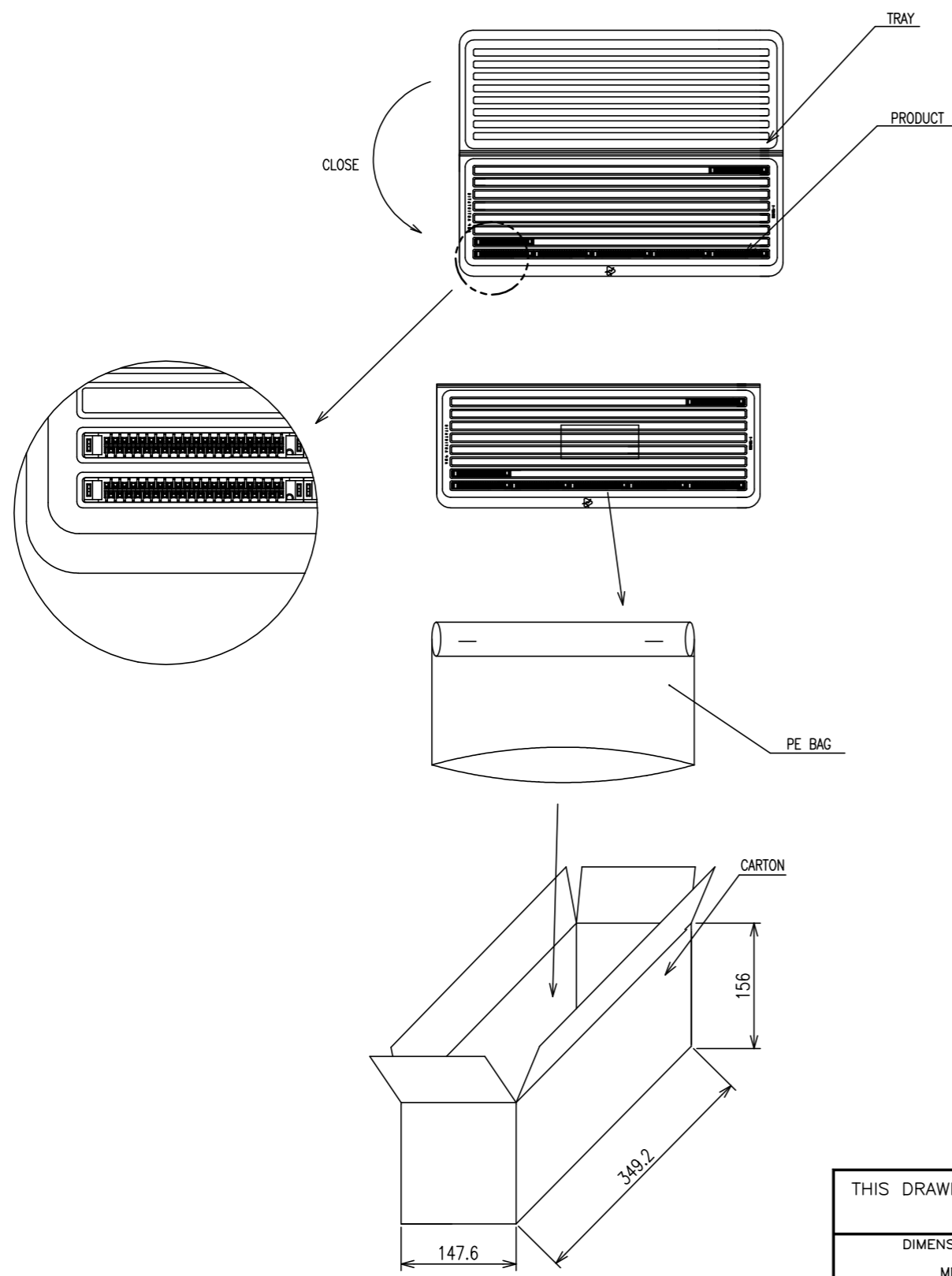


STATUS	G.W./CARTON (KG)	N.W./CARTON (KG)	PCS/TUBE	TUBES/CARTON	QUANTITY/CARTON (PCS)	PART NUMBER	POS.
OBSOLETE	4.21	2.89	54	8	432	5-1734101-3	120
						3-1734101-3	
						1-1734101-3	
						5-1734101-2	
						3-1734101-2	
OBSOLETE	6.84	4.92	54	16	864	5-1734101-1	100
						3-1734101-1	
						1-1734101-1	
						5-1734101-0	
						3-1734101-0	
OBSOLETE	5.61	4.06	54	16	864	5-1734101-8	80
						3-1734101-8	
						1-1734101-8	
						4-1734101-8	
						6-1734101-8	
OBSOLETE	5.05	3.63	54	16	864	4-1734101-7	68
						6-1734101-7	
						1734101-7	
						7-1734101-7	
						4-1734101-6	
OBSOLETE	4.28	3.11	54	16	864	6-1734101-6	60
						1734101-6	
						2-1734101-7	
						5-1734101-7	
						3-1734101-7	
OBSOLETE	5.32	4.02	54	24	1296	1-1734101-7	50
						4-1734101-5	
						6-1734101-5	
						1734101-5	
						4-1734101-4	
OBSOLETE	4.42	3.37	54	24	1296	6-1734101-4	40
						1734101-4	
						4-1734101-3	
						6-1734101-3	
						1734101-3	
OBSOLETE	6.25	5.36	54	32	1728	4-1734101-3	30
						6-1734101-3	
						1734101-3	

THIS DRAWING IS A CONTROLLED DOCUMENT.		DWN	TE Connectivity			
DIMENSIONS: MM		CHK				
TOLERANCES UNLESS OTHERWISE SPECIFIED:		APVD	NAME			
0 PLC ± -		PRODUCT SPEC	RECEPTACLE ASSEMBLY, VERTICAL, BOARD-TO-BOARD, CHAMP.050, SERIES I,			
1 PLC ± -		QUALIFICATION TEST REPORT				
2 PLC ± -		WEIGHT	SIZE	CAGE CODE	DRAWING NO	RESTRICTED TO
3 PLC ± -		CUSTOMER DRAWING	A3	00779	C=1734101	
4 PLC ± -			SCALE	SHEET	REV	
ANGLES ± -				3 of 4		
MATERIAL						
FINISH						

THIS DRAWING IS UNPUBLISHED. RELEASED FOR PUBLICATION AUG ,2006.  
 © COPYRIGHT BY TYCO ELECTRONICS CORPORATION. ALL RIGHTS RESERVED.

LOC	DIST	REVISIONS				
P	LTR	DESCRIPTION	DATE	DWN	APVD	
		SEE SHEET 1.				



OBSOLETE	2.69	1.71	16	10	160	5-1734101-6	200
						3-1734101-6	
						1-1734101-6	
						5-1734101-5	
						3-1734101-5	
OBSOLETE	2.37	1.39	16	10	160	5-1734101-4	160
						3-1734101-4	
						1-1734101-4	
OBSOLETE	2.48	1.50	32	10	320	4-1734101-9	80
						6-1734101-9	
						1734101-9	
	G.W./CARTON (KG)	N.W./CARTON (KG)	PCS/TRAY	TRAYS/CARTON	QUANTITY/CARTON (PCS)	PART NUMBER	POS.

THIS DRAWING IS A CONTROLLED DOCUMENT.

DIMENSIONS: MM	TOLERANCES UNLESS OTHERWISE SPECIFIED:	DWN	<b>TE</b> TE Connectivity			
0 PLC ± -	1 PLC ± -	CHK				
2 PLC ± -	3 PLC ± -	APVD	NAME			
4 PLC ± -	ANGLES ± -	PRODUCT SPEC	RECEPTACLE ASSEMBLY, VERTICAL, BOARD-TO-BOARD, CHAMP.050, SERIES I,			
MATERIAL	FINISH	QUALIFICATION TEST REPORT	SIZE	CAGE CODE	DRAWING NO	RESTRICTED TO
		WEIGHT	A3	00779	C=1734101	
CUSTOMER DRAWING			SCALE	SHEET	REV	
				4 OF 4		