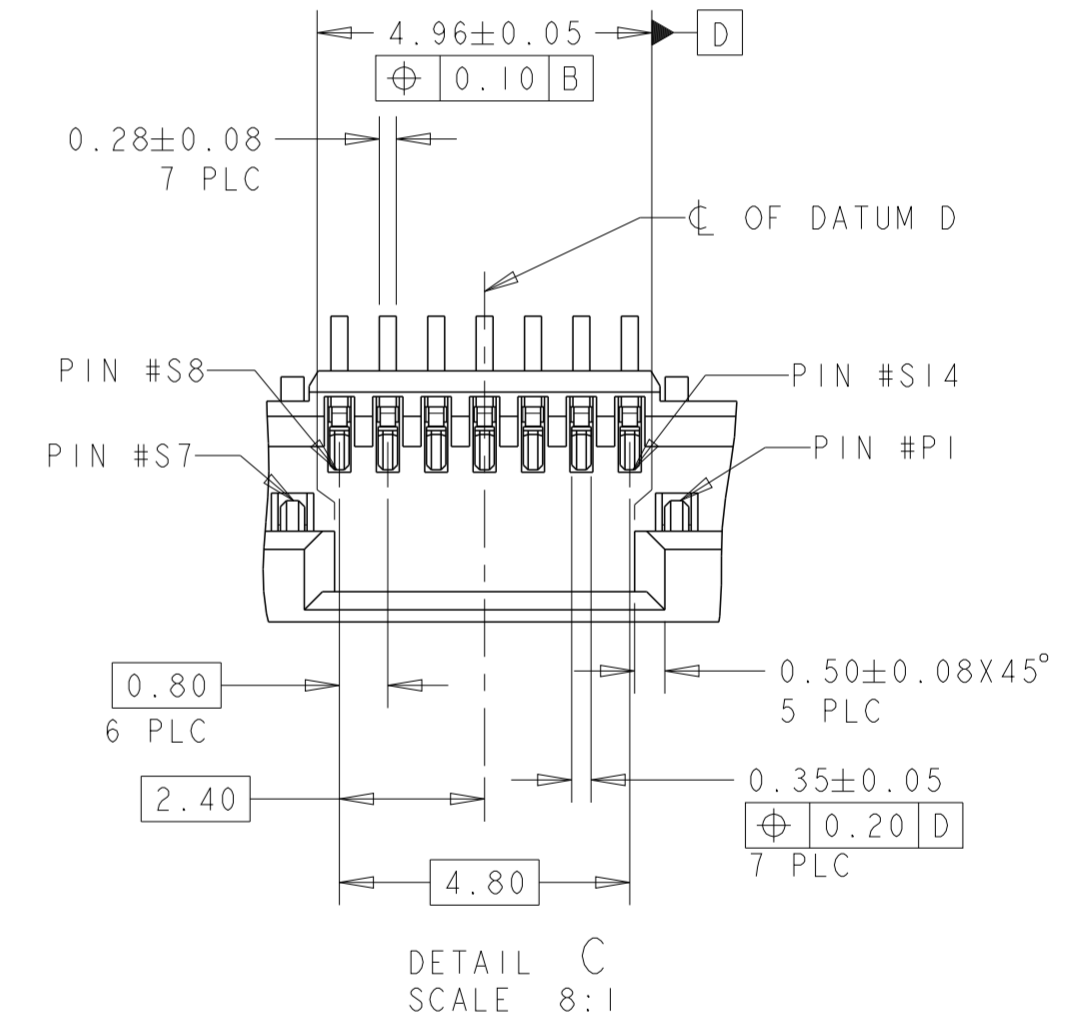
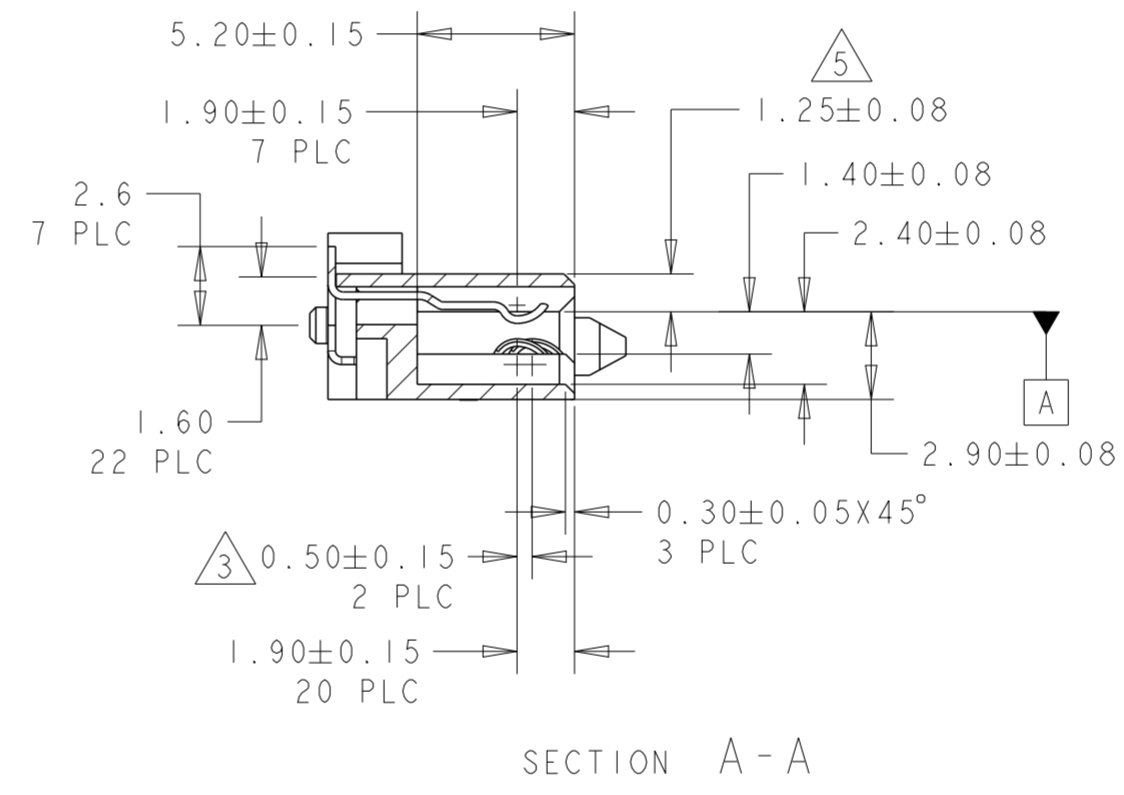
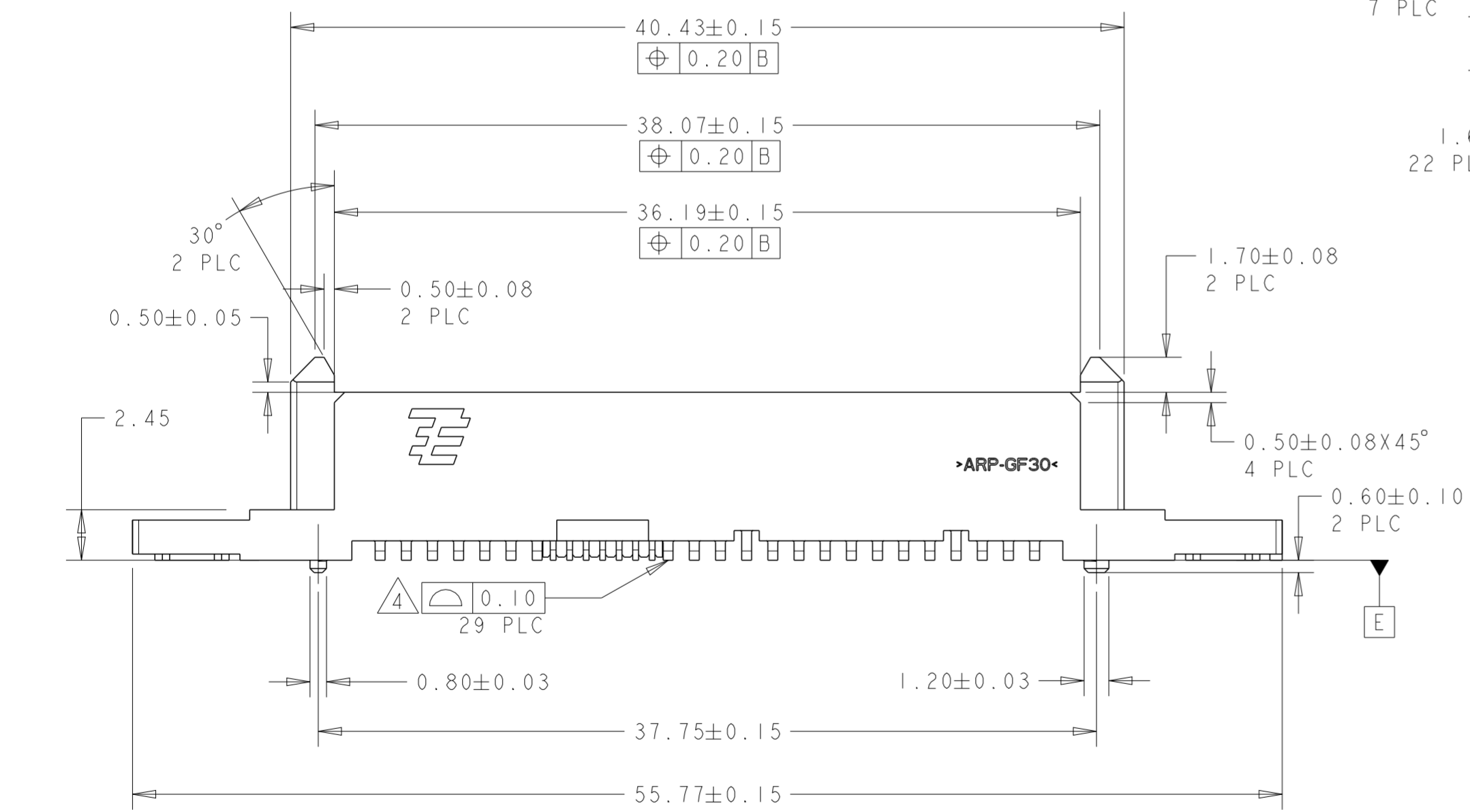
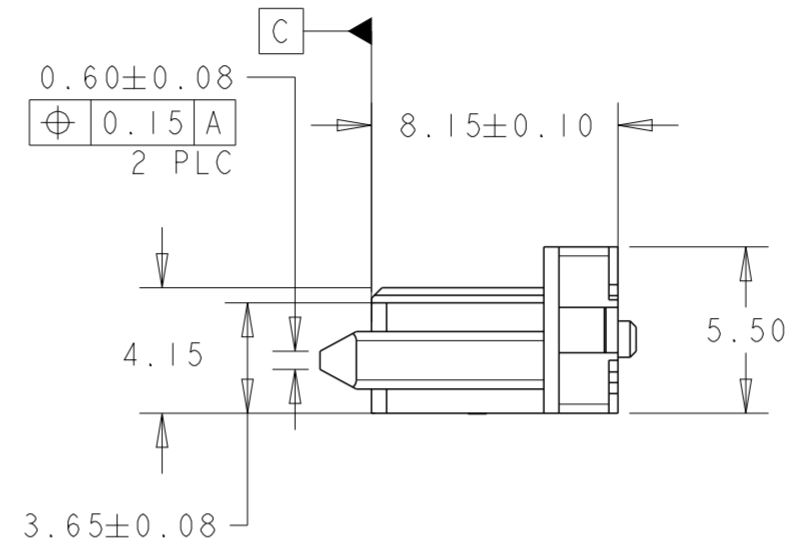
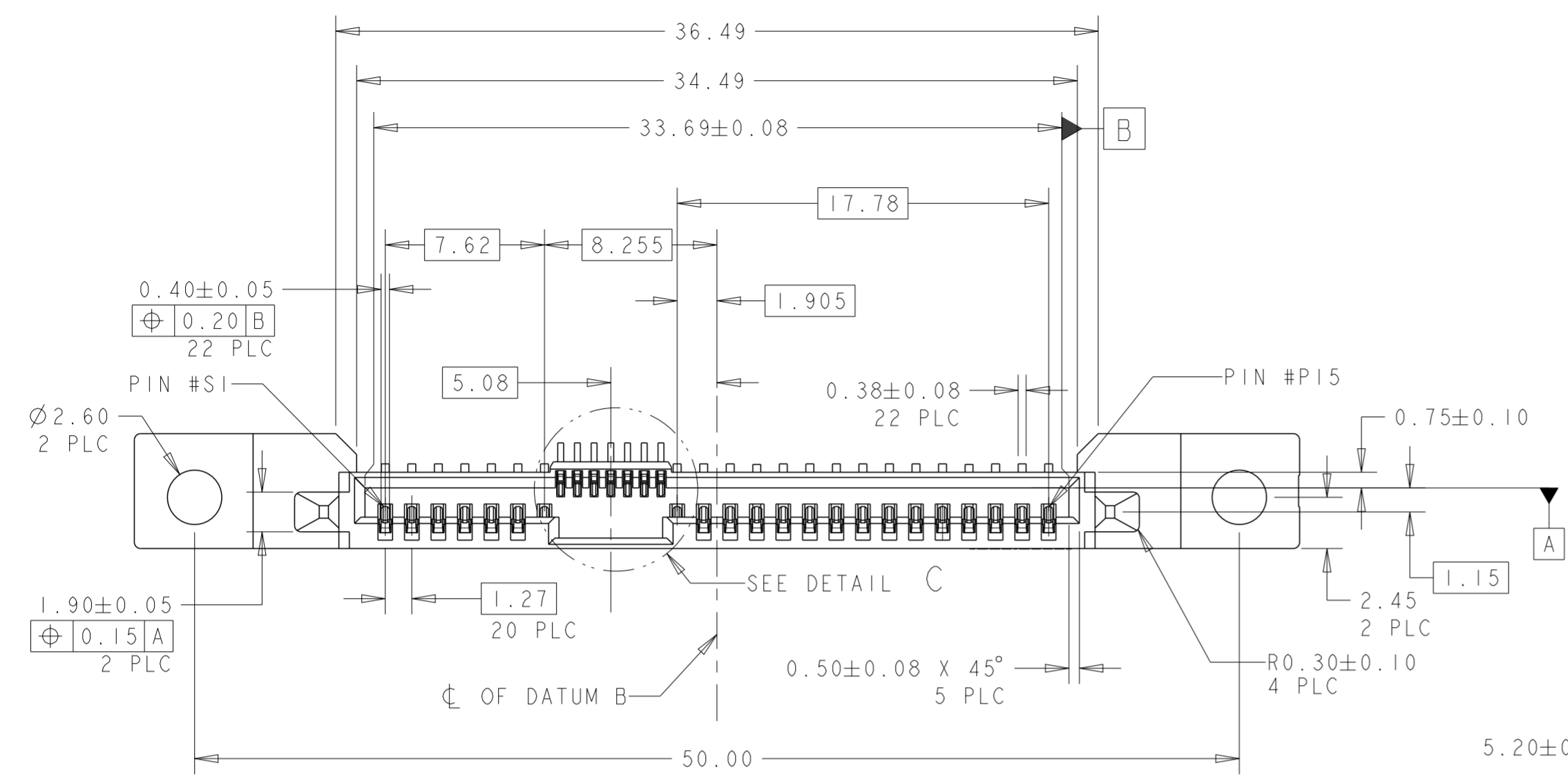


THIS DRAWING IS UNPUBLISHED. RELEASED FOR PUBLICATION 20  
 © COPYRIGHT 20 BY - ALL RIGHTS RESERVED.

| REVISIONS |     |                           |           |     |      |
|-----------|-----|---------------------------|-----------|-----|------|
| P         | LTR | DESCRIPTION               | DATE      | DWN | APVD |
| -         | B   | REVISED PER ECO-14-008073 | 30MAY2014 | BL  | JY   |



- NOTES:
- 1 MATERIAL:  
HOUSING: HIGH TEMP THERMOPLASTIC, UL94V-0,  
COLOR: BLACK  
CONTACT: COPPER ALLOY  
ROUND POST: BRASS
  - 2 FINISH:  
CONTACT AREA: MIN 0.76um GOLD PLATING  
SOLDERTAIL: MIN 2.54um MATTE TIN PLATING  
UNDERPLATE: MIN 1.27um NICKEL PLATING  
ROUND POST PLATING: MIN 2.54um TIN OVER  
MIN 1.27um NICKEL UNDERPLATE
  - 3 PIN #P4 AND #P12 ONLY
  - 4 SOLDERTAIL TO BE 0.05 MAX ABOVE AND  
0.10 MAX BELOW DATUM E
  - 5 1.33 MAX MEASURED AT DATUM C

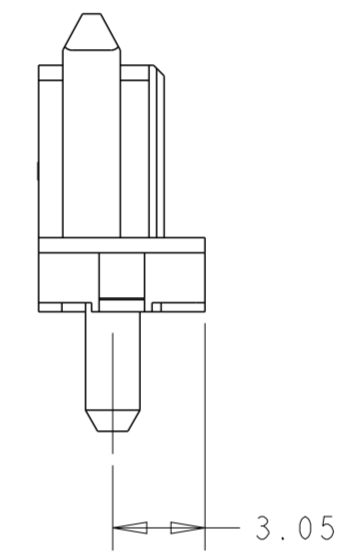
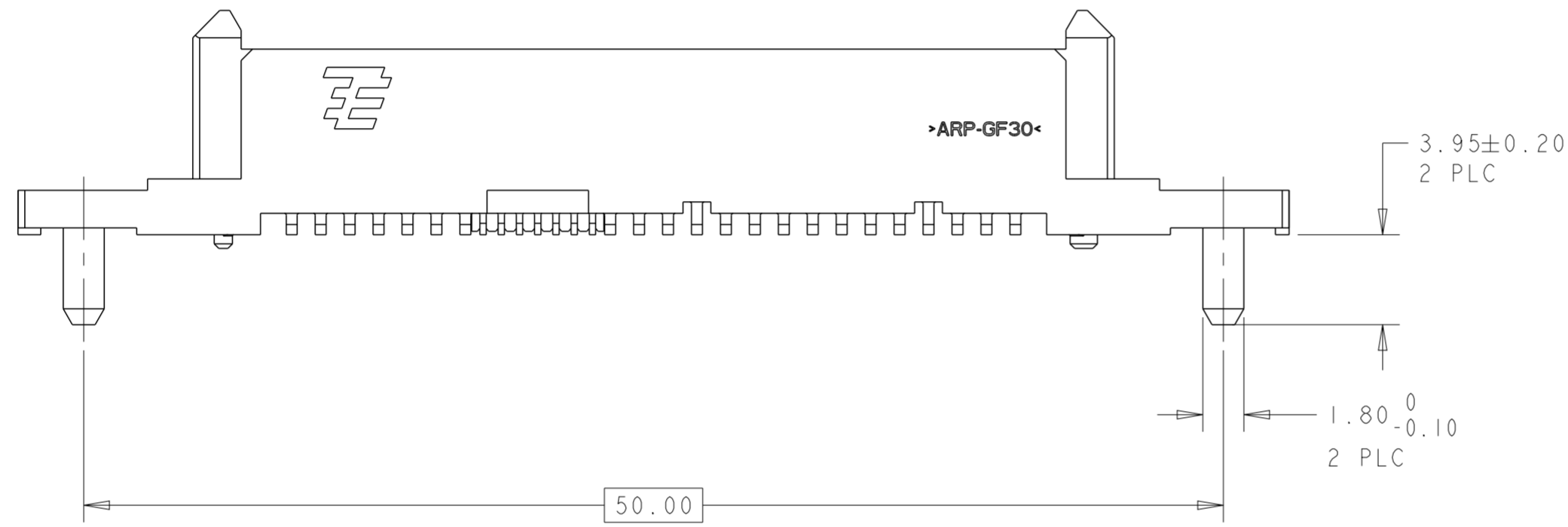
P/N: 1735869-1 AS SHOWN

|                    |           |
|--------------------|-----------|
| WITH ROUND POST    | 1735869-2 |
| WITHOUT ROUND POST | 1735869-1 |
| REMARK             | PN        |

|   |  |                            |   |                |                       |                    |
|---|--|----------------------------|---|----------------|-----------------------|--------------------|
| THIS DRAWING IS A CONTROLLED DOCUMENT.  |  | DWN<br>TY PANG 15MAR2011   | TE Connectivity   |                |                       |                    |
| DIMENSIONS:<br>mm   |  | CHK<br>SF LEONG 15MAR2011  |   |                |                       |                    |
| TOLERANCES UNLESS OTHERWISE SPECIFIED:  |  | APVD<br>SF LEONG 15MAR2011 | NAME<br>SAS BACKPLANE RECEPTACLE,<br>VERTICAL, SMT, THROUGH HOLE FLANGE |                |                       |                    |
| 0 PLC ±<br>1 PLC ±<br>2 PLC ±0.20<br>3 PLC ±<br>4 PLC ±<br>ANGLES ±3°<br>FINISH |  | PRODUCT SPEC<br>108-51067  | SIZE<br>A2  | CAGE CODE<br>- | DRAWING NO<br>1735869 | RESTRICTED TO<br>- |
| MATERIAL<br>1   |  | FINISH<br>2                | WEIGHT<br>-   | SCALE<br>4:1   | SHEET<br>1 OF 3       | REV<br>B           |


THIS DRAWING IS UNPUBLISHED. RELEASED FOR PUBLICATION 20  
 © COPYRIGHT 20 BY - ALL RIGHTS RESERVED.

| REVISIONS |     |             |      |      |
|-----------|-----|-------------|------|------|
| P         | LTR | DESCRIPTION | DATE | APVD |
| -         | -   | SEE SHEET 1 | -    | -    |
|           |     |             |      |      |
|           |     |             |      |      |



1735869-2 AS SHOWN

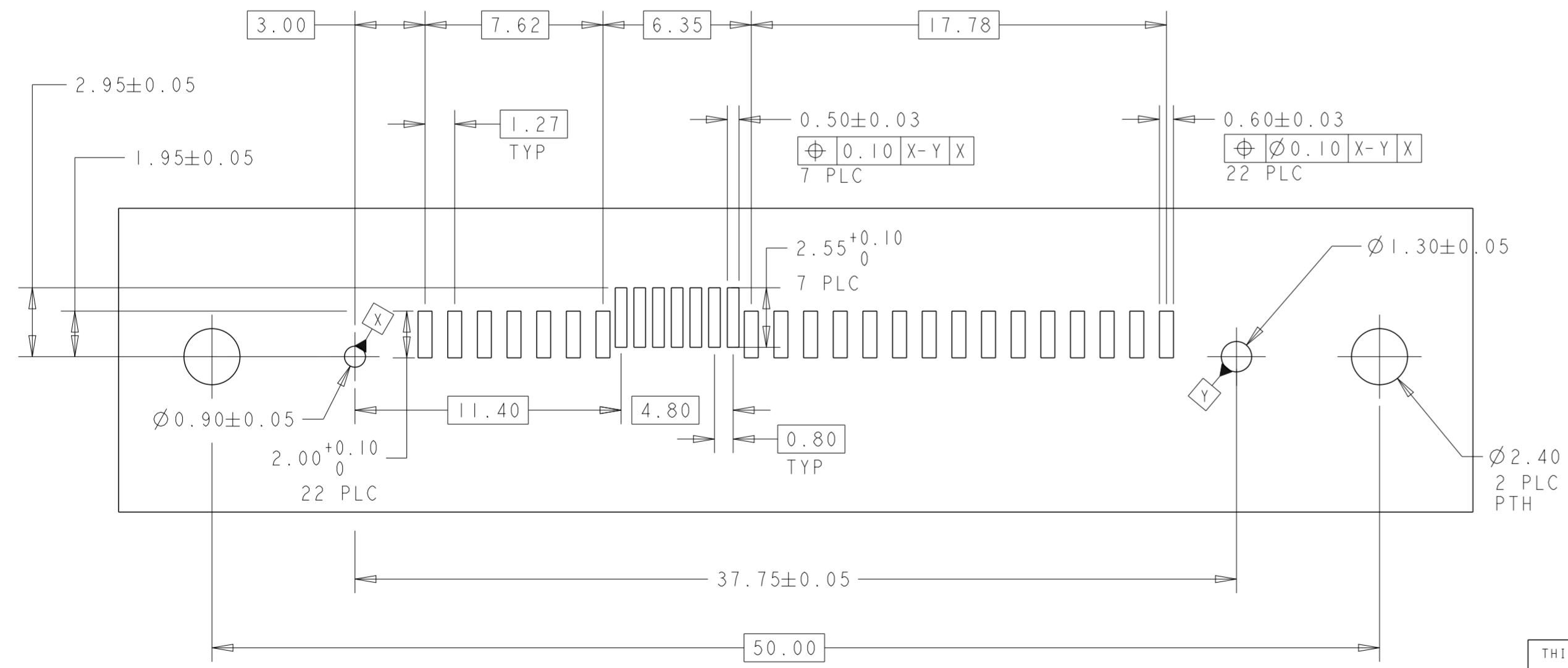
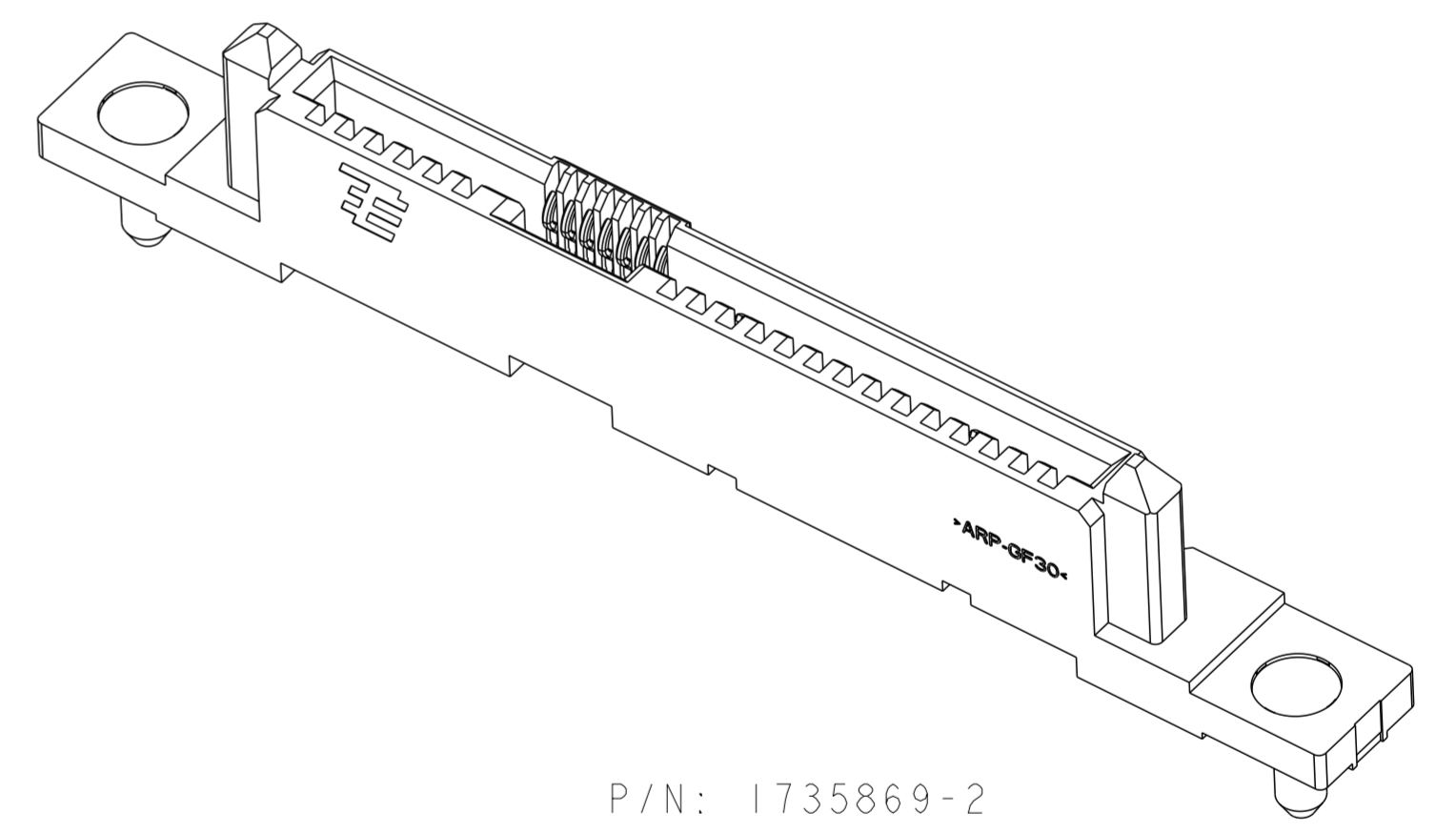
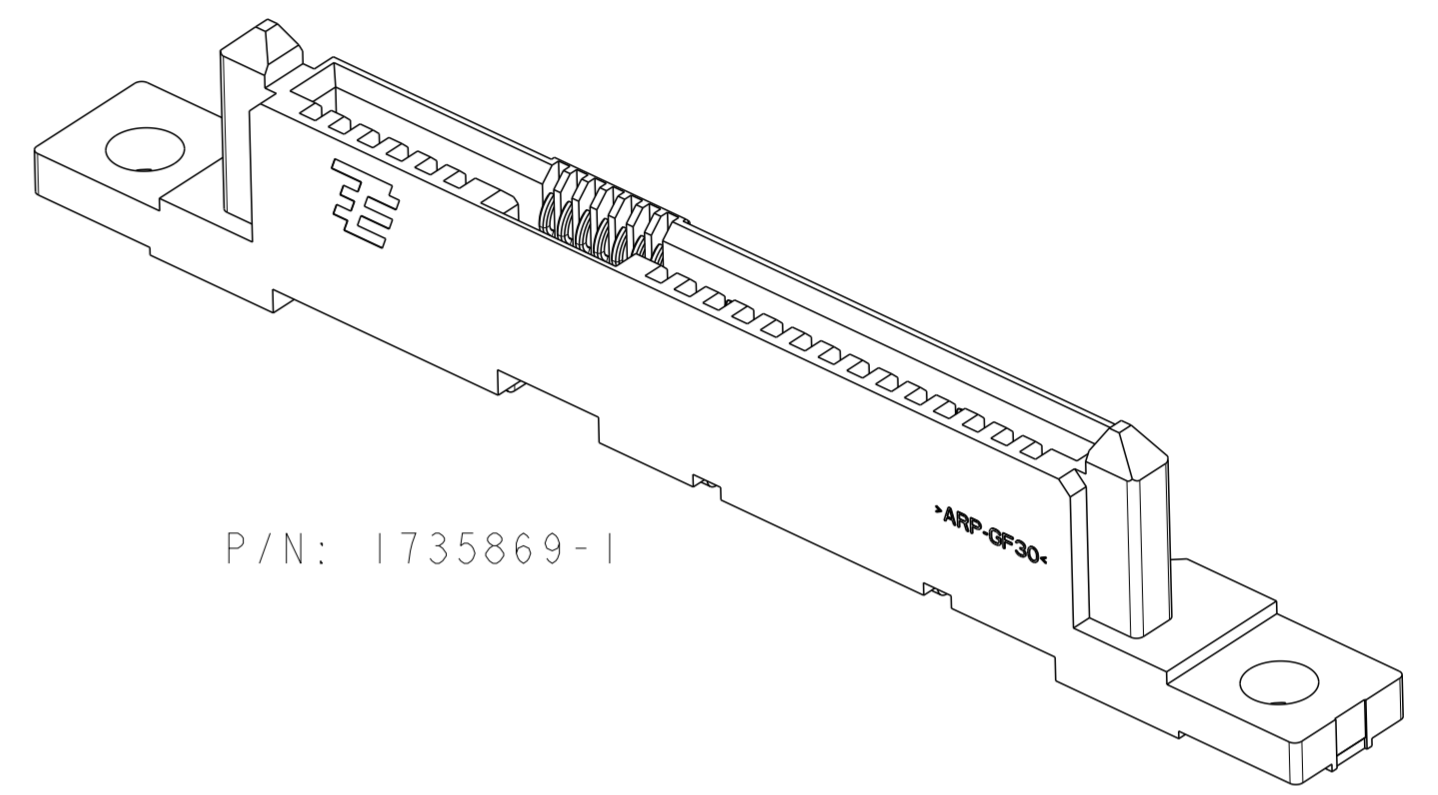
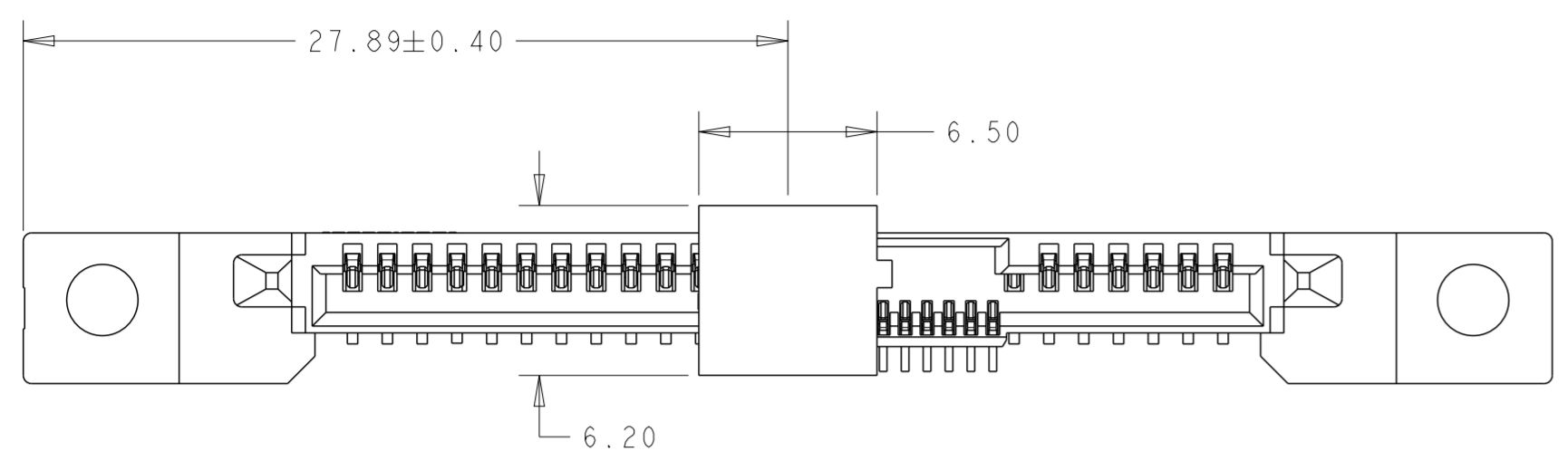
UNSPECIFIC DIMENSIONS ARE SAME WITH 1735869-1

|   |  |                            |   |                 |
|---|--|----------------------------|---|-----------------|
| THIS DRAWING IS A CONTROLLED DOCUMENT.  |  | DWN<br>TY PANG 15MAR2011   |  TE Connectivity |                 |
| DIMENSIONS:<br>mm   |  | CHK<br>SF LEONG 15MAR2011  |   |                 |
| TOLERANCES UNLESS OTHERWISE SPECIFIED:  |  | APVD<br>SF LEONG 15MAR2011 | NAME<br>SAS BACKPLANE RECEPTACLE,<br>VERTICAL, SMT, THROUGH HOLE FLANGE                               |                 |
| 0 PLC ±<br>1 PLC ±<br>2 PLC ±0.20<br>3 PLC ±<br>4 PLC ±<br>ANGLES ±3°<br>FINISH |  | PRODUCT SPEC<br>108-51067  | RESTRICTED TO   |                 |
| MATERIAL  |  | APPLICATION SPEC           | SIZE<br>A2  | CAGE CODE<br>-  |
|   |  | WEIGHT<br>-                | DRAWING NO<br>C-1735869   |                 |
|   |  | CUSTOMER DRAWING           | SCALE<br>4:1  | SHEET<br>2 OF 3 |
|   |  |                            | REV<br>B  |                 |

THIS DRAWING IS UNPUBLISHED. RELEASED FOR PUBLICATION 20  
 © COPYRIGHT 20 BY - ALL RIGHTS RESERVED.

| REVISIONS |     |             |      |      |
|-----------|-----|-------------|------|------|
| P         | LTR | DESCRIPTION | DATE | APVD |
| -         | -   | SEE SHEET 1 | -    | -    |
|           |     |             |      |      |
|           |     |             |      |      |

P/NS WITH CAP AS SHOWN



RECOMMENDED PCB LAYOUT  
 SCALE 5:1

|   |  |                            |   |                              |
|---|--|----------------------------|---|------------------------------|
| THIS DRAWING IS A CONTROLLED DOCUMENT.  |  | DWN<br>TY PANG 15MAR2011   | TE Connectivity   |                              |
| DIMENSIONS:<br>mm   |  | CHK<br>SF LEONG 15MAR2011  |   |                              |
| TOLERANCES UNLESS OTHERWISE SPECIFIED:  |  | APVD<br>SF LEONG 15MAR2011 | NAME<br>SAS BACKPLANE RECEPTACLE,<br>VERTICAL, SMT, THROUGH HOLE FLANGE |                              |
| 0 PLC ±<br>1 PLC ±<br>2 PLC ±0.20<br>3 PLC ±<br>4 PLC ±<br>ANGLES ±3°<br>FINISH - |  | PRODUCT SPEC<br>108-51067  | SIZE<br>A2  |                              |
| MATERIAL<br>TBD   |  | APPLICATION SPEC<br>-      | CAGE CODE<br>-  | DRAWING NO<br>G-1735869      |
| -   |  | WEIGHT<br>-                | RESTRICTED TO<br>-  | SCALE 4:1 SHEET 3 OF 3 REV B |
| -   |  | CUSTOMER DRAWING           |   |                              |