

4

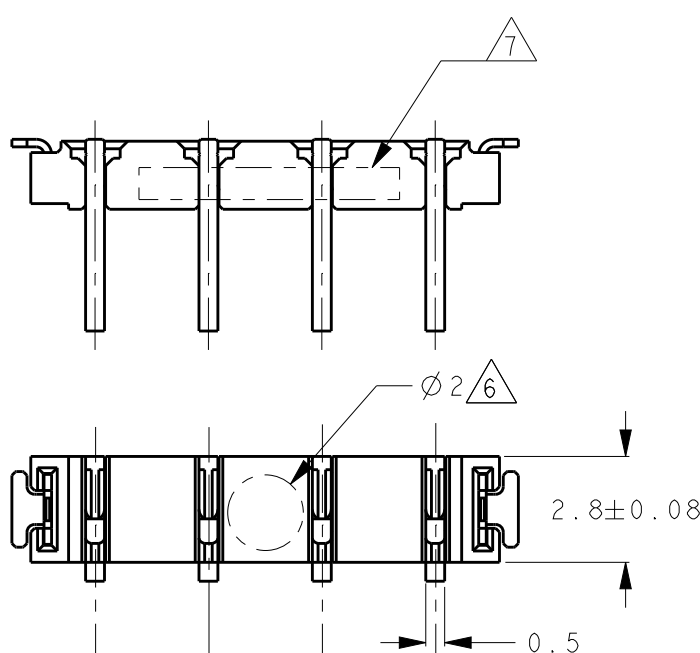
3

2

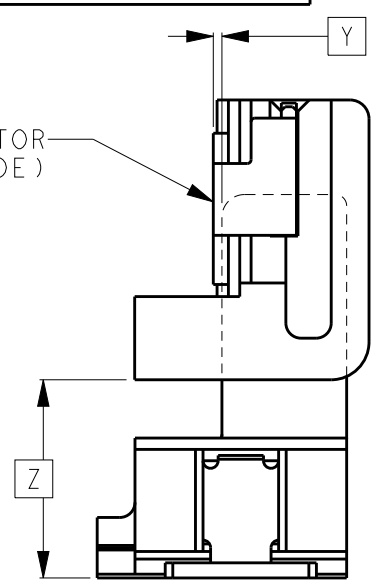
1

THIS DRAWING IS UNPUBLISHED. RELEASED FOR PUBLICATION 20
© COPYRIGHT 20 BY - ALL RIGHTS RESERVED.

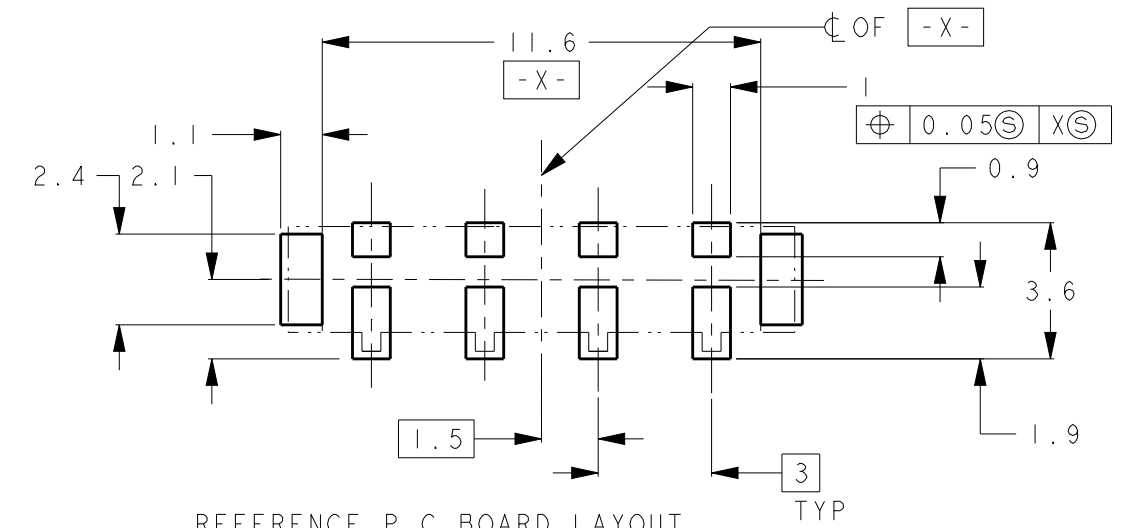
LOC	DIST	REVISIONS			
P	LTR	DESCRIPTION	DATE	DWN	APVD
ES	-	A	RELEASED	04FEB2013	R.W S.Y
		AI	REVISED ECO-19-007567	08MAY2019	K.G W.H



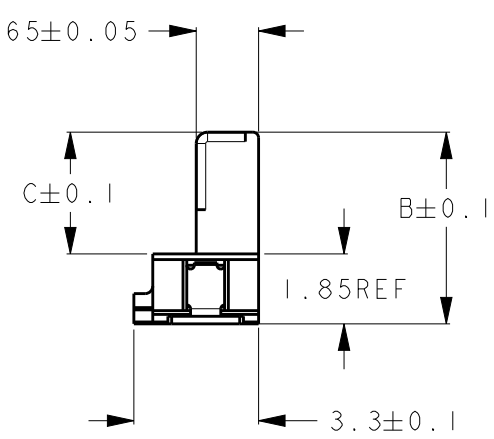
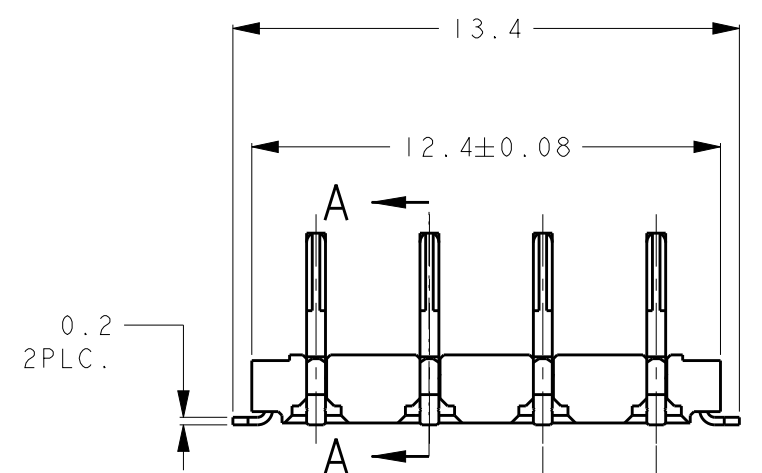
RECEPTACLE CONNECTOR
(BATTERY PACK SIDE)



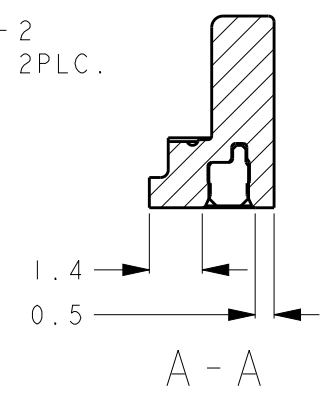
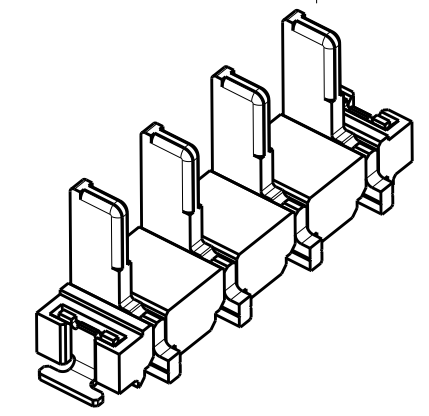
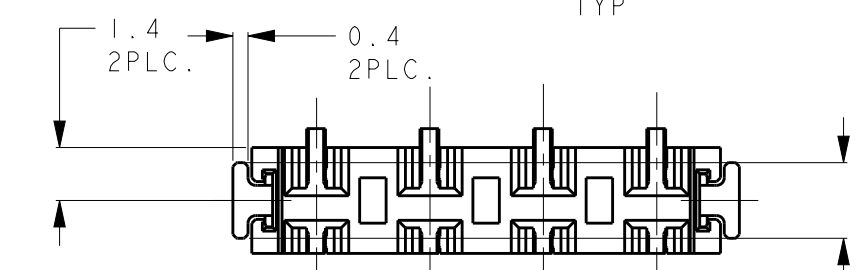
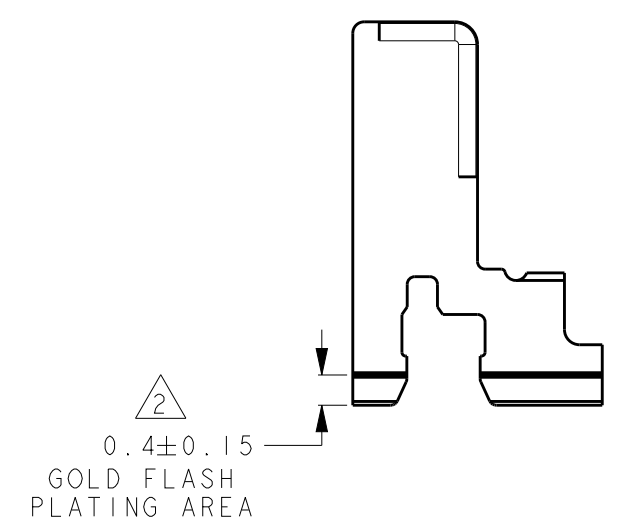
CONNECTOR POSITIONING
-CONTACT TE FOR GUIDELINES.
SCALE 10:1



REFERENCE P.C BOARD LAYOUT
(GENERAL TOLERANCE: ±0.05, SCALE 5:1)



- 1 MATERIAL
CONTACT: BRASS
HOUSING: LCP UL94V-0 BLACK
SOLDER PEG: BRASS
- 2 FINISH
CONTACT: NICKEL ALL OVER UNDER PLATING, 3um MIN.
GOLD PLATING AT CONTACT AREA, 0.76um MIN.
GOLD FLASH PLATING AT LEAD AREA, 0.05-0.2um
- 3 FINISH
CONTACT: NICKEL ALL OVER UNDER PLATING, 3um MIN.
GOLD PLATING AT CONTACT AREA, 0.5um MIN.
GOLD FLASH PLATING AT LEAD AREA, 0.05-0.2um
- 4 FINISH
SOLDER PEG: NICKEL ALL OVER UNDER PLATING, 1.27um MIN.
TIN PLATING ALL OVER, 2-5um
- 5. COPLANARITY 0.08MAX.
- 6 PICKING AREA
- 7 DATE CODE

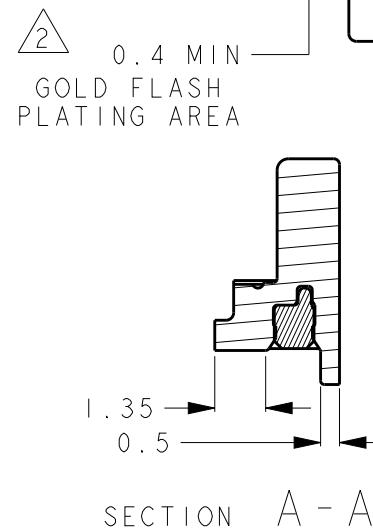
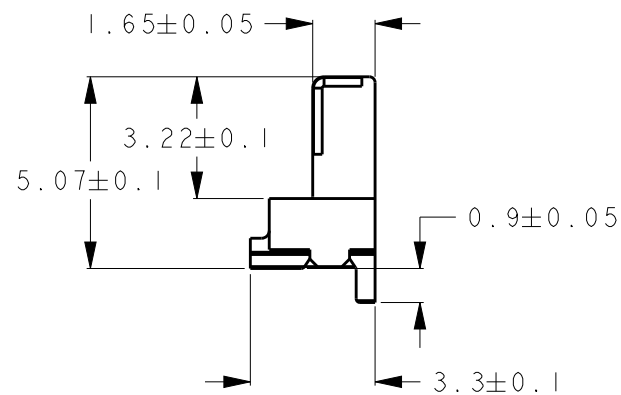
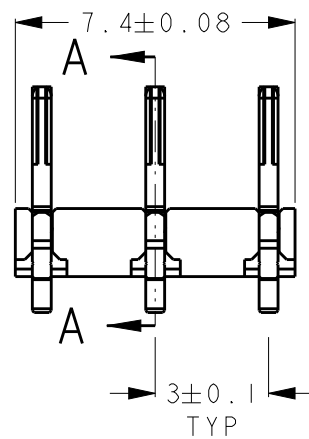
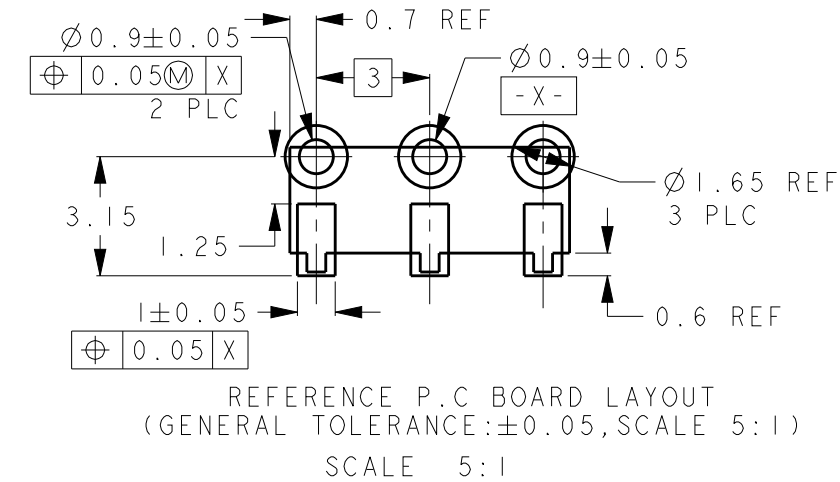
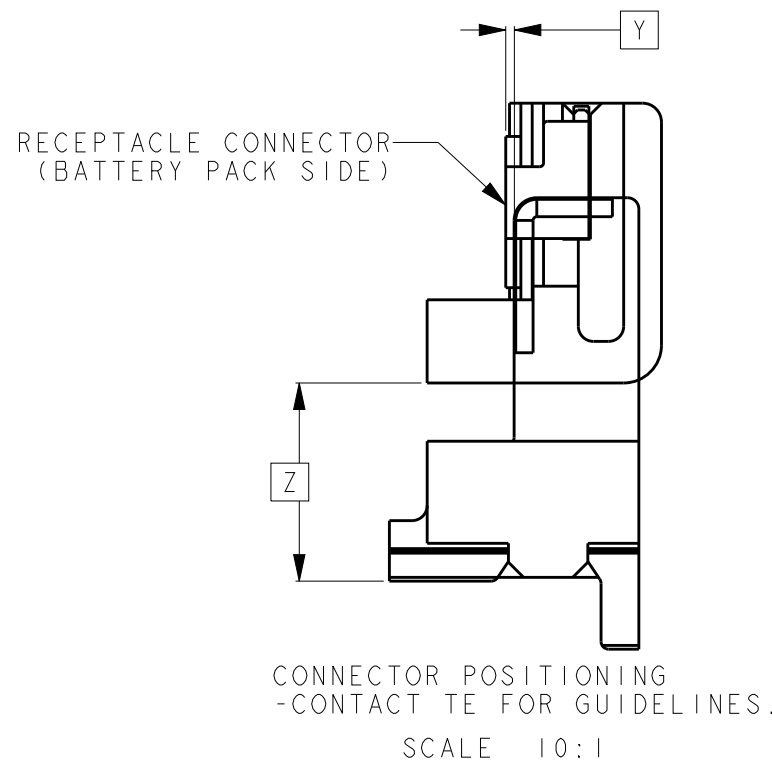
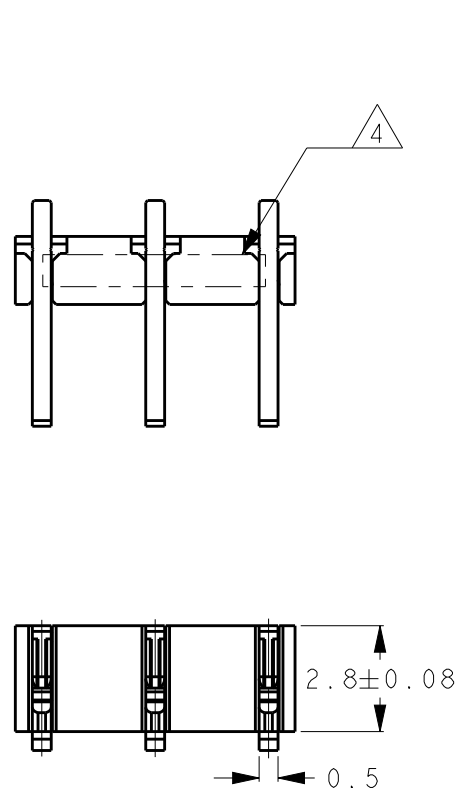


2.7	4.55	3	4	1554953-2
3.22	5.07	2	4	1554953-1
C	B	FINISH		P/N

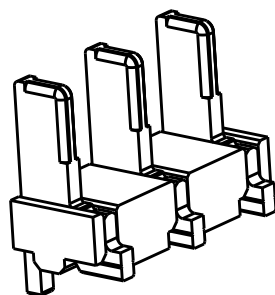
THIS DRAWING IS A CONTROLLED DOCUMENT.		DWN R.WANG 04FEB2013	TE Connectivity	
DIMENSIONS: mm		CHK W.HE 04FEB2013		
TOLERANCES UNLESS OTHERWISE SPECIFIED: ±0.15		APVD S.YAO 04FEB2013		
0 PLC ± 1 PLC ±0.1 2 PLC ±0.01 3 PLC ±0.001 4 PLC ±0.0001 ANGLES ±		PRODUCT SPEC 108-78722-1		
MATERIAL 1		FINISH 2	NAME FLOATING BATTERY INTERCONNECTION SYSTEMS PLUG ASSEMBLY 4 POS V TYPE, H4.55	
WEIGHT 0.24g		Customer Drawing	SIZE A3	CAGE CODE 00779
SCALE 9:1		DRAWING NO C-1554953		RESTRICTED TO -
SHEET 1 OF 3		REV AI		

THIS DRAWING IS UNPUBLISHED. RELEASED FOR PUBLICATION 20
 © COPYRIGHT 20 BY - ALL RIGHTS RESERVED.

LOC	DIST	REVISIONS			
P	LTR	DESCRIPTION	DATE	DWN	APVD
		SEE SHEET 1			



- 1 MATERIAL
CONTACT: BRASS
HOUSING: LCP UL94V-0 BLACK
SOLDER PEG: BRASS
- 2 FINISH
CONTACT: NICKEL ALL OVER UNDER PLATING, 3um MIN.
GOLD PLATING AT CONTACT AREA, 0.76um MIN.
GOLD FLASH PLATING AT LEAD AREA, 0.05~0.2um
- 3. COPLANARITY 0.08MAX.
- 4 DATE CODE



2	1554953-3
FINISHED	P/N

THIS DRAWING IS A CONTROLLED DOCUMENT.		DWN R. WANG 04FEB2013	TE Connectivity	
DIMENSIONS: mm		CHK W. HE 04FEB2013		
TOLERANCES UNLESS OTHERWISE SPECIFIED: ±0.15		APVD S. YAO 04FEB2013	NAME FLOATING BATTERY INTERCONNECTION SYSTEMS PLUG ASSEMBLY 3POS V TYPE, H4.55	
0 PLC ± 1 PLC ±0.1 2 PLC ±0.01 3 PLC ±0.001 4 PLC ±0.0001 ANGLES ±		PRODUCT SPEC 108-78722-1	RESTRICTED TO	
MATERIAL - FINISH -		APPLICATION SPEC -	SIZE A300779	CAGE CODE C=1554953
		WEIGHT 0.20g	DRAWING NO	
		Customer Drawing	SCALE 5:1	SHEET 2 OF 3 REV A1

THIS DRAWING IS UNPUBLISHED.

RELEASED FOR PUBLICATION

20

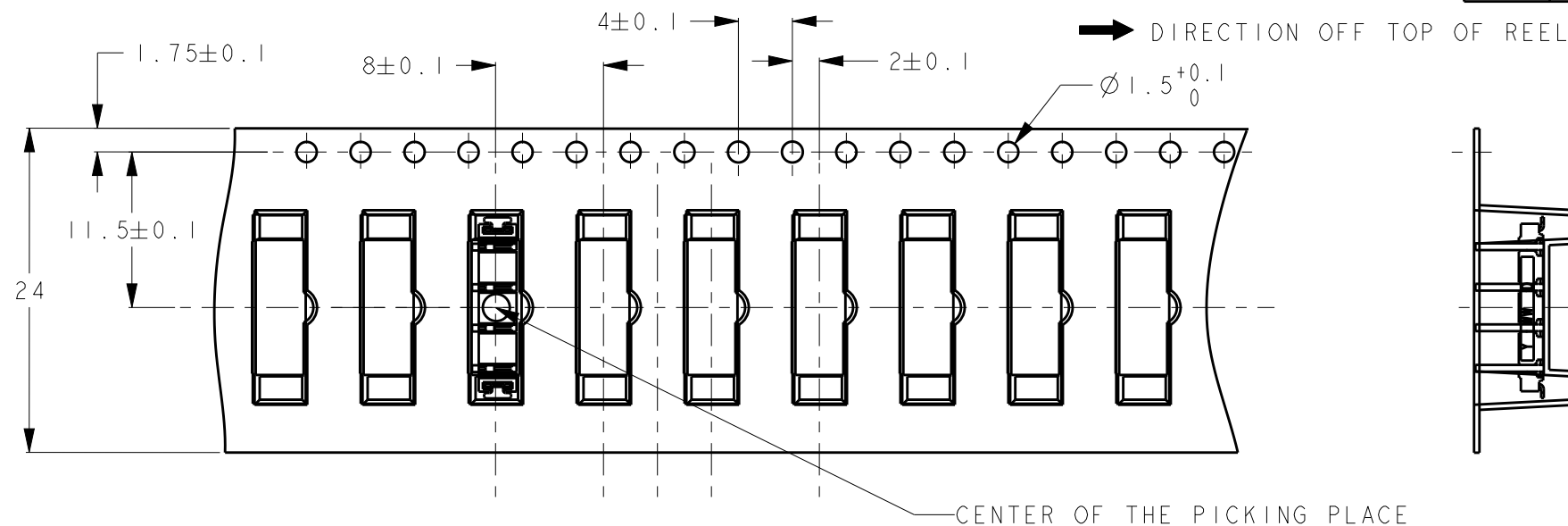
© COPYRIGHT 20 BY -

ALL RIGHTS RESERVED.

LOC ES DIST -

REVISIONS

P	LTR	DESCRIPTION	DATE	DWN	APVD
-	-	SEE SHEET 1	-	-	-

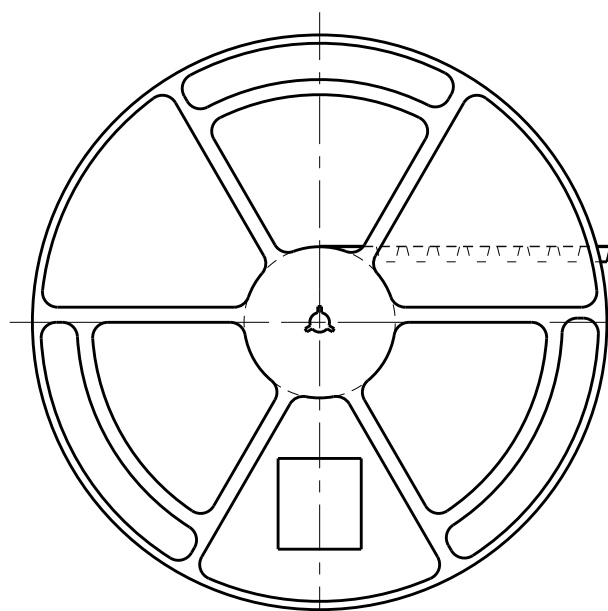
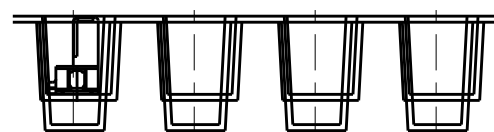


FLANGE CORE DIA $\phi 100$ REF

$\phi 330$ REF REEL DIA.

30 REF REEL WIDTH

26 REF



300 REF WEEDING THE COVER TAPE.

165°~180° PEELING ANGLE
0.1~0.7N(300mm/min)
PEELING STRENGTH

WITH PRODUCT CHARGE

WITHOUT CHARGE
20 HOLES MIN.

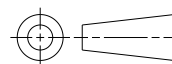
300 REF WITHOUT CHARGE

1000	1554953-3
1000	1554953-2
1000	1554953-1
QTY/REEL	P/N

THIS DRAWING IS A CONTROLLED DOCUMENT.

DIMENSIONS:

mm



TOLERANCES UNLESS OTHERWISE SPECIFIED:

± 0.3

- 0 PLC \pm
- 1 PLC ± 0.1
- 2 PLC ± 0.01
- 3 PLC ± 0.001
- 4 PLC ± 0.0001
- ANGLES \pm

MATERIAL -

FINISH -

DWN R. WANG 04FEB2013

CHK W. HE 04FEB2013

APVD S. YAO 04FEB2013

PRODUCT SPEC

108-78722-1

APPLICATION SPEC

WEIGHT 0.24g

Customer Drawing



TE Connectivity

NAME
FLOATING BATTERY
INTERCONNECTION SYSTEMS
PLUG ASSEMBLY V TYPE, H4.55

SIZE CAGE CODE DRAWING NO RESTRICTED TO

A300779 C=1554953

SCALE 9:1 SHEET 3 OF 3 REV A1