

# C3216X7T2J473K160AE

TDK Item Description : C3216X7T2J473KT\*\*\*S

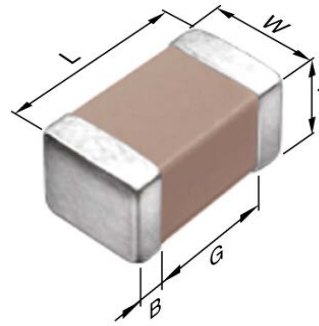


## Application & Main Feature

Commercial Grade ( Soft Termination )

## Series

C3216 [EIA CC1206]



## Dimensions

|   |                    |
|---|--------------------|
| L | 3.20mm +0.4,-0.2mm |
| W | 1.60mm +0.3,-0.2mm |
| T | 1.60mm +0.3,-0.2mm |
| B | 0.20mm Min.        |
| G | 1.00mm Min.        |

## Temperature Characteristic

X7T (-55 to 125 degC +22,-33%)

## Rated Voltage

2J (630Vdc)

## Capacitance

47nF

## Capacitance Tolerance

K (+/-10%)

## Dissipation Factor

2.5% Max.

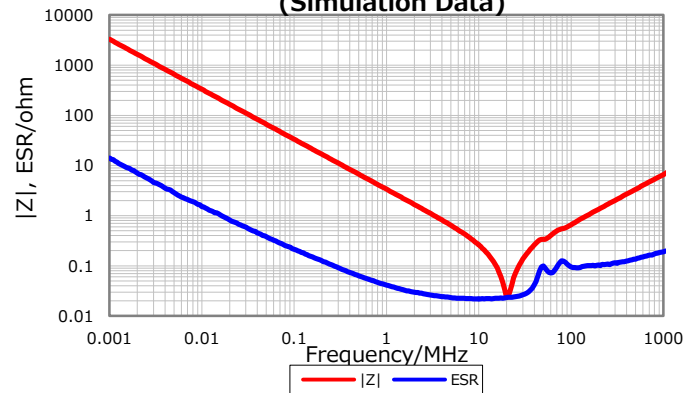
## Insulation Resistance

10Gohm Min

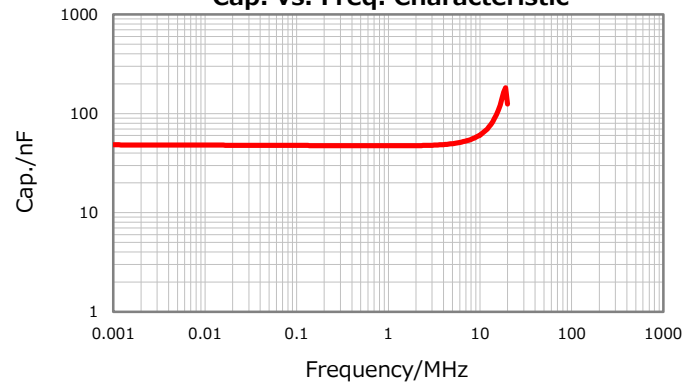
## AEC-Q200

Not Applicable

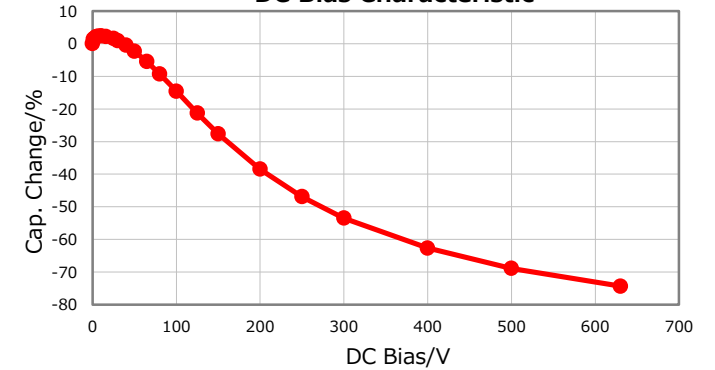
## |Z|, ESR vs. Freq. Characteristics (Simulation Data)



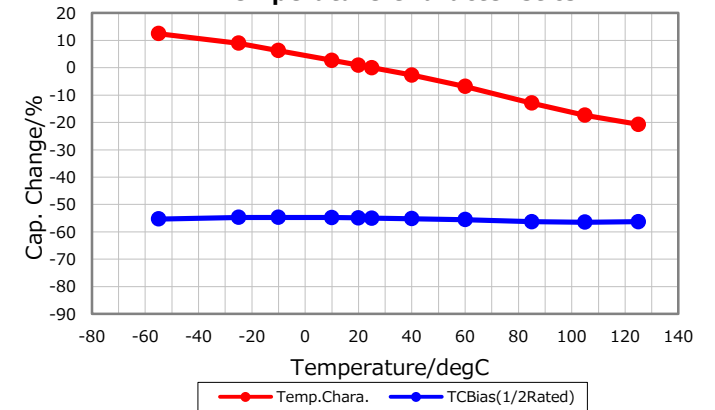
## Cap. vs. Freq. Characteristic



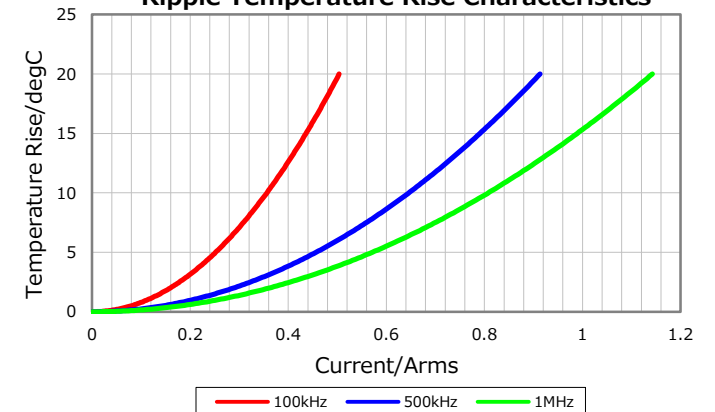
## DC Bias Characteristic



## Temperature Characteristics



## Ripple Temperature Rise Characteristics



Characterization Sheet ( Multilayer Ceramic Chip Capacitors )



All specifications are subject to change without notice.

March 16, 2017