
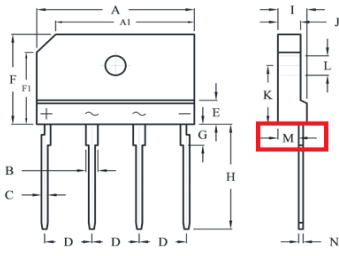
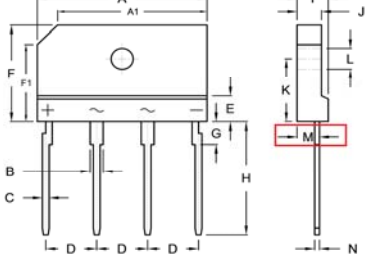


Standardized Information Note (IN)

1. Information Note basic data	
1.1 Company	
1.2 Information Note No.	IN18009
1.3 Title of IN	Revision of TS4K 4A,6A,10A outline dimensions drawing
1.4 Issue date	2018/09/14

2. Contact		
2.1 Contact supplier		
2.1.1 Name	Sunnie Lin	
2.1.2 Phone	+886-2-8913-1588 Ext.2205	
2.1.3 Email	sunnie@mail.ts.com.tw	
2.2 Team supplier (optional)		
2.2.1 Name (optional)	2.2.2 Phone (optional)	2.2.3 Email (optional)
Danny	+886-2-8913-1588 Ext. 2133	danny_lin@mail.ts.com.tw

3. Description		
	Old	New
Description #1	outline dimensions drawing ( M not include lead frame) 	revise outline dimensions drawing ( M include lead frame) 
Description #2		
Description #3		
Description #4		
Description #5		

4. Reason / motivation	
4.1 Motivation	TS4K outline dimensions drawing error
4.2 Additional explanation (optional)	

5. Marking of parts / traceability	
5.1 Description	N/A

6. Timing / schedule	
6.1 Intended start of delivery	N/A

7. Attachments (e.g. additional documentation, pictures, part list....)
Refer to the official e-mail announcement for the applicable documents.

8. Affected parts									
8.1 Current						8.2 New (if applicable)			
8.1.1 Customer Part No.	8.1.2 Supplier Part Name	8.1.3 Supplier Part No. (optional)	8.1.4 Package Name	8.1.5 Part Description (optional)	8.1.6 Additional Part Information (optional)	8.2.2 Supplier Part Name	8.2.3 Supplier Part No. (optional)	8.2.4 Package Name	8.2.6 Additional Part Information (optional)

