

Your Interconnect Solutions Expert

Product Change Notification (PCN): PCN-EMC-122018

Date: Month February 2019

Customer Course of Action: Update from 2 tang to 3 tang contacts

Effective Implementation Date: Immediately

Planned Change Date: April 1, 2019

Reason: The ecomate rm (Rugged Metal) & ecomate Aquarius (circular plastic) size #16 & #20 contacts have been enhanced with an added third "Tang" design feature. See Figure 1. The added "Tang" assists in centering the contact just prior to contact engagement when mating two connector halves.

Despite this added feature and resulting differences to the dimensions and characteristics, Amphenol Considers the replacement part numbers listed below, to be a functional equivalent. Please carefully read through this notification and note the differences.

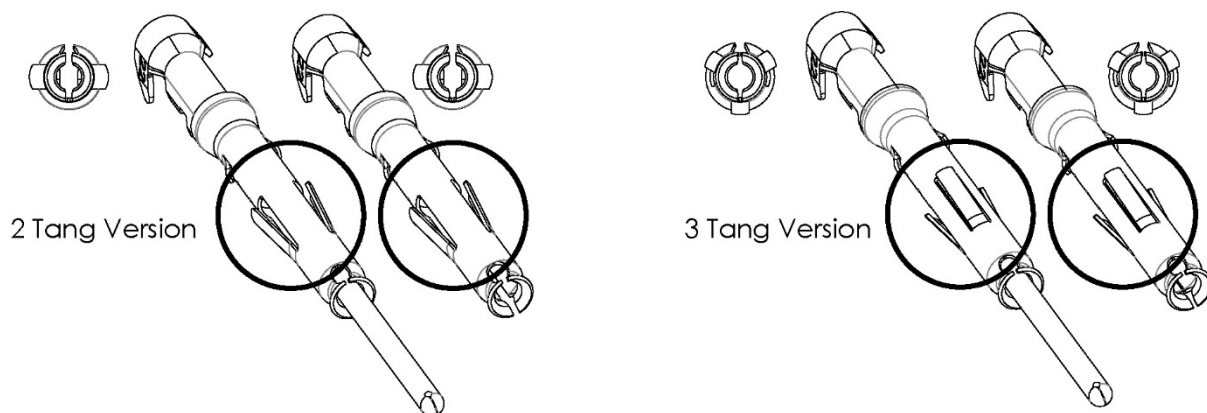


Figure 1: 2 Tang vs 3 Tang

Your Interconnect Solutions Expert

Product Change Notification (PCN): PCN-EMC-122018

Discontinued Part Number	Replacement Part Number	AWG
SP20W1F	SP20W2F	20
SP20W1G5	SP20W2G5	20
SP20W1G10	SP20W2G10	20
SP20W1G15	SP20W2G15	20
SP20W1G30	SP20W2G30	20
SP20W1T	SP20W2T	20
SP24W1F	SP24W2F	20
SP24W1G5	SP24W2G5	20
SP24W1G10	SP24W2G10	20
SP24W1G15	SP24W2G15	20
SP24W1G30	SP24W2G30	20
SP24W1T	SP24W2T	20
SP28W1F	SP28W2F	20
SP28W1G5	SP28W2G5	20
SP28W1G10	SP28W2G10	20
SP28W1G15	SP28W2G15	20
SP28W1G30	SP28W2G30	20
SP28W1T	SP28W2T	20
SS20W1F	SS20W2F	20
SS20W1G5	SS20W2G5	20
SS20W1G10	SS20W2G10	20
SS20W1G15	SS20W2G15	20
SS20W1G30	SS20W2G30	20
SS20W1T	SS20W2T	20
SS24W1F	SS24W2F	20
SS24W1G5	SS24W2G5	20
SS24W1G10	SS24W2G10	20
SS24W1G15	SS24W2G15	20
SS24W1G30	SS24W2G30	20
SS24W1T	SS24W2T	20
SS28W1F	SS28W2F	20
SS28W1G5	SS28W2G5	20
SS28W1G10	SS28W2G10	20
SS28W1G15	SS28W2G15	20
SS28W1G30	SS28W2G30	20
SS28W1T	SSP28W2T	20
SP14M1F	SP14M2F	16
SP14M1G5	SP14M2G5	16
SP14M1G10	SP14M2G10	16
SP14M1G15	SP14M2G15	16
SP14M1G30	SP14M2G30	16
SP14M1T	SP14M2T	16
SP14M1N	SP14M2N	16
SP16M1F	SP16M2F	16
SP16M1G5	SP16M2G5	16
SP16M1G10	SP16M2G10	16
SP16M1G15	SP16M2G15	16
SP16M1G30	SP16M2G30	16
SP16M1T	SP16M2T	16
SP16M1N	SP16M2N	16
SP20M1F	SP20M2F	16
SP20M1G5	SP20M2G5	16
SP20M1G10	SP20M2G10	16

Your Interconnect Solutions Expert

SP20M1G15	SP20M2G15	16
SP20M1G30	SP20M2G30	16
SP20M1T	SP20M2T	16
SP20M1N	SP20M2N	16
SP24M1F	SP24M2F	16
SP24M1G5	SP24M2G5	16
SP24M1G10	SP24M2G10	16
SP24M1G15	SP24M2G15	16
SP24W1G30	SP24W2G30	16
SP24M1T	SP24M2T	16
SP24M1N	SP24M2N	16
SS14M1F	SS14M2F	16
SS14M1G5	SS14M2G5	16
SS14M1G10	SS14M2G10	16
SS14M1G15	SS14M2G15	16
SS14M1G30	SS14M2G30	16
SS14M1T	SS14M2T	16
SS14M1N	SS16M2N	16
SS16M1F	SS16M2F	16
SS16M1G5	SS16M2G5	16
SS16M1G10	SS16M2G10	16
SS16M1G15	SS16M2G15	16
SS16M1G30	SS16M2G30	16
SS16M1T	SS16M2T	16
SS16M12N	SS16M2N	16
SS20M1F	SS20M2F	16
SS20M1G5	SS20M2G5	16
SS20M1G10	SS20M2G10	16
SS20M1G15	SS20M2G15	16
SS20M1G30	SS20M2G30	16
SS20M1N	SS20M2N	16
SS20M1T	SS20M2T	16
SS24M1F	SS24M2F	16
SS24M1G5	SS24M2G5	16
SS24M1G10	SS24M2G10	16
SS24M1G15	SS24M2G15	16
SS24W1G30	SS24W2G30	16
SS24M1T	SS24M2T	16
SS24M1N	SS24M2N	16