

3-Channel Linear LED Drivers

Features

- $\pm 6\%$ Current Accuracy when V_{OUT} is between 4V and 15V
- 90V Standoff Voltage
- Separate Enable Pins for each Channel for PWM Dimming
- Overtemperature Protection
- 8-Lead SOIC (with Heat Slug) Package

Applications

- LCD Backlighting
- Indicator Lamps

General Description

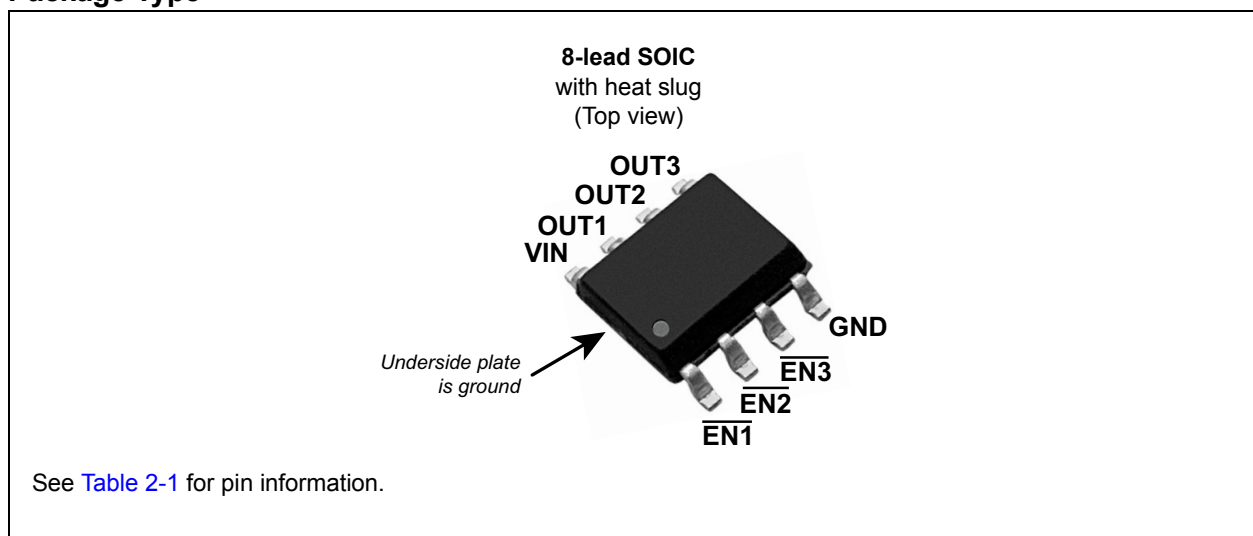
The CL320/CL325/CL330 are designed to drive three strings of LEDs at a constant current of 20 mA, 25 mA and 30 mA, respectively.

The drive current is fixed, with a $\pm 6\%$ tolerance over a V_{OUT} range of 4V to 15V. Separate enable pins for each channel allow for PWM dimming, three-step linear dimming or individual disconnection of faulty LED strings.

Overtemperature protection circuitry shuts down all three channels when the nominal die temperature reaches 135°C. Normal operation resumes when the die temperature drops by 30°C.

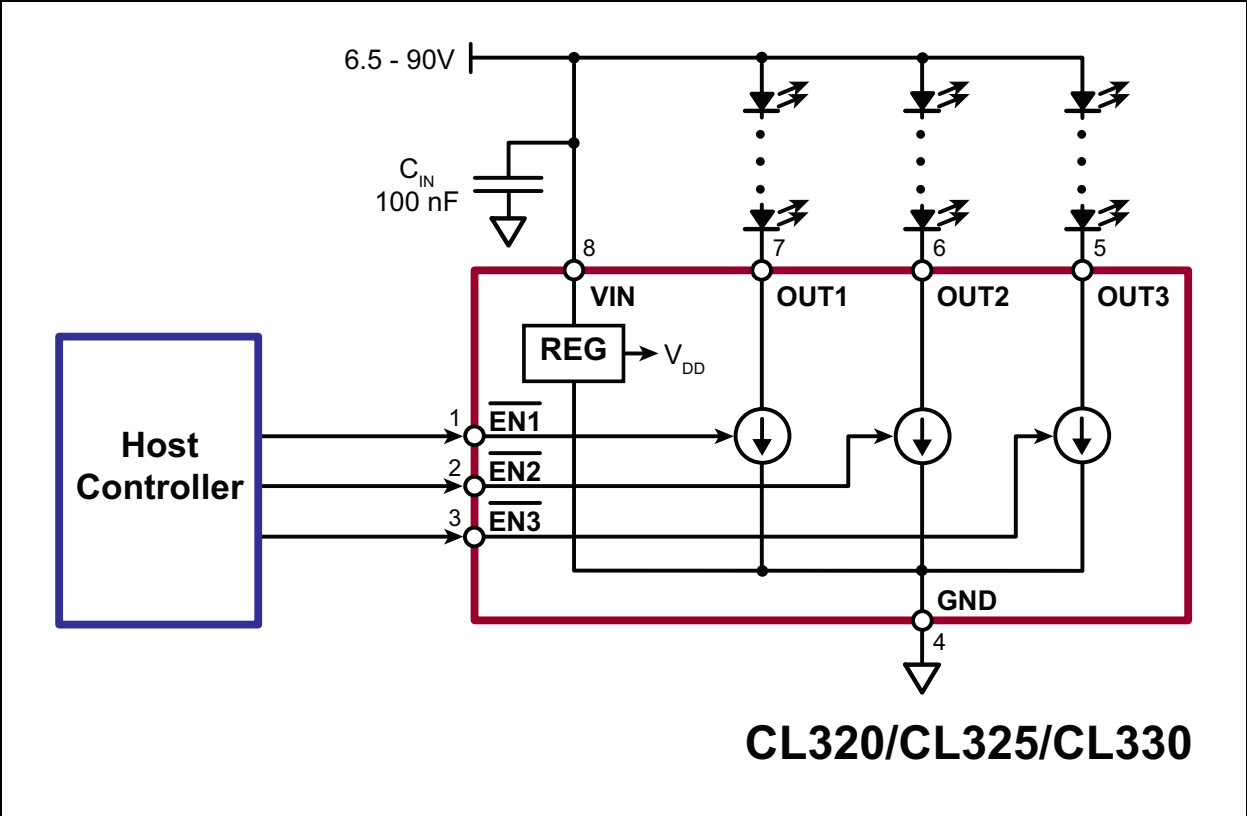
The CL320/CL325/CL330 are available in the 8-lead SOIC (with heat slug) package and require a single ceramic bypass capacitor which may be shared among several drivers.

Package Type



CL320/CL325/CL330

Functional Block Diagram and Typical Application Circuit



1.0 ELECTRICAL CHARACTERISTICS

Absolute Maximum Ratings†

Supply Voltage, V_{IN}	-0.5V to +100V
Output Voltage, V_{OUT}	-0.5V to +100V
Enable Voltage, V_{EN}	-0.5V to +6.5V
Minimum Operating Junction Temperature, T_J (Note 1)	-40°C
Storage Temperature, T_S	-65°C to +150°C

† **Notice:** Stresses above those listed under “Absolute Maximum Ratings” may cause permanent damage to the device. This is a stress rating only, and functional operation of the device at those or any other conditions above those indicated in the operational sections of this specification is not intended. Exposure to maximum rating conditions for extended periods may affect device reliability.

Note 1: Maximum junction temperature internally limited

RECOMMENDED OPERATING CONDITIONS

Electrical Specifications: All voltages with respect to GND pin						
Parameter	Sym.	Min.	Typ.	Max.	Unit	Conditions
Supply Voltage	V_{IN}	6.5	—	90	V	
Output Voltage	V_{OUT}	4	—	15	V	$\overline{EN} = 0$
				90		$\overline{EN} = 1$
Enable Toggling Frequency	f_{EN}	0	—	100	kHz	
Operating Junction Temperature	T_J	-40	—	—	°C	
V_{IN} Capacitor	C_{IN}	—	100	—	nF	

ELECTRICAL CHARACTERISTICS

Electrical Specifications: Over recommended operating conditions. $T_A = 25^\circ\text{C}$ unless otherwise noted.							
Parameter	Sym.	Min.	Typ.	Max.	Unit	Conditions	
V_{IN} Supply Current	I_{IN}	—	220	250	μA	$\overline{EN}_{1-3} = 1$	
		—	2.2	2.3	mA	$\overline{EN}_{1-3} = 0$	
Output Current, Off	$I_{OUT(OFF)}$	—	4	10	μA	$\overline{EN}_X = 1$	
Output Current, On	CL320	$I_{OUT(ON)}$	—	—	21.2	mA	$\overline{EN}_X = 0, V_{OUT} = 0\text{V}-4\text{V}$
			18.8	20	21.2		$\overline{EN}_X = 0, V_{OUT} = 4\text{V}-15\text{V}$
			18	20	22		$\overline{EN}_X = 0, V_{OUT} = 15\text{V}-90\text{V}$
	CL325		—	—	26.5		$\overline{EN}_X = 0, V_{OUT} = 0\text{V}-4\text{V}$
			23.5	25	26.5		$\overline{EN}_X = 0, V_{OUT} = 4\text{V}-15\text{V}$
			22.5	25	27.5		$\overline{EN}_X = 0, V_{OUT} = 15\text{V}-90\text{V}$
	CL330		—	—	31.8		$\overline{EN}_X = 0, V_{OUT} = 0\text{V}-4\text{V}$
			28.2	30	31.8		$\overline{EN}_X = 0, V_{OUT} = 4\text{V}-15\text{V}$
27	30	33	$\overline{EN}_X = 0, V_{OUT} = 15\text{V}-90\text{V}$				
Enable Voltage, On	$V_{EN(ON)}$	—	—	0.8	V		
Enable Voltage, Off	$V_{EN(OFF)}$	2.4	—	—	V		
Enable Input Capacitance	C_{EN}	—	5	10	pF		

CL320/CL325/CL330

ELECTRICAL CHARACTERISTICS (CONTINUED)

Electrical Specifications: Over recommended operating conditions. $T_A = 25^\circ\text{C}$ unless otherwise noted.

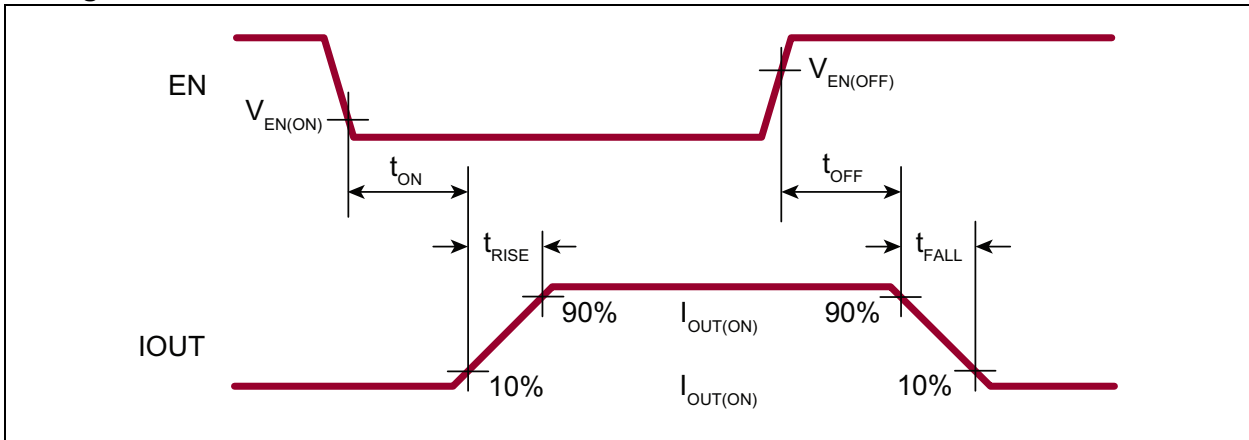
Parameter	Sym.	Min.	Typ.	Max.	Unit	Conditions
Enable Low Input Current	I_{ENL}	—	—	1	μA	$V_{EN} = 0\text{V}$
Enable High Input Current	I_{ENH}	—	—	1	μA	$V_{EN} = 5\text{V}$
Enable on Delay	t_{ON}	—	2	2.4	μs	
Output Current Rise Time	t_{RISE}	—	1	1.2	μs	
Enable Off Delay	t_{OFF}	—	440	800	ns	
Output Current Fall Time	t_{FALL}	—	170	250	ns	

TEMPERATURE SPECIFICATIONS

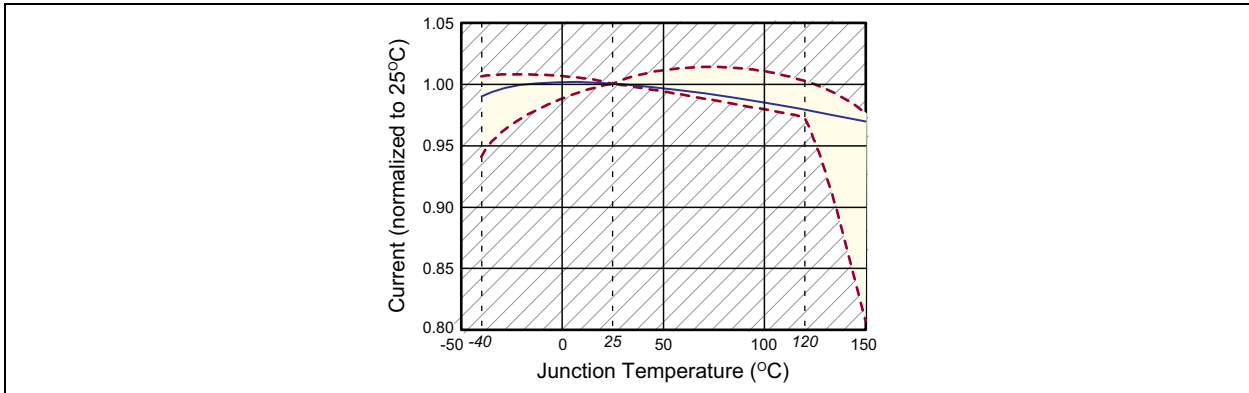
Parameter	Sym.	Min.	Typ.	Max.	Unit	Conditions
TEMPERATURE RANGE						
Operating Junction Temperature	T_J	-40	—	—	$^\circ\text{C}$	
Storage Temperature	T_S	-65	—	+150	$^\circ\text{C}$	
Overtemperature Limit	T_{LIM}	+120	+135	+150	$^\circ\text{C}$	
Overtemperature Hysteresis	T_{HYST}	—	30	—	$^\circ\text{C}$	
PACKAGE THERMAL RESISTANCE						
8-lead SOIC (with heat slug)	θ_{JA}	—	84	—	$^\circ\text{C/W}$	Note 1

Note 1: Mounted on JEDEC test PCB (2s 2p)

Timing Waveforms

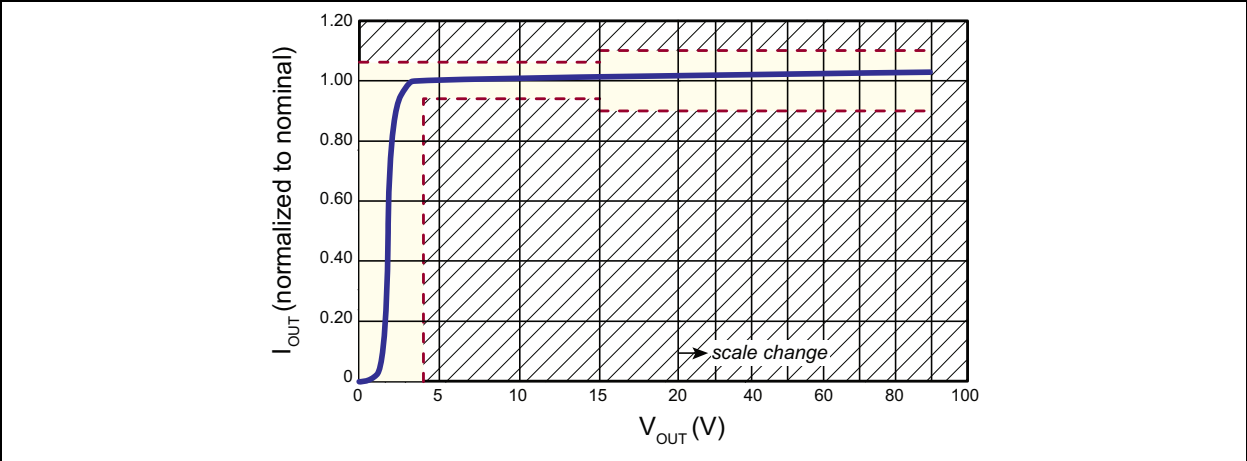


Temperature Effects

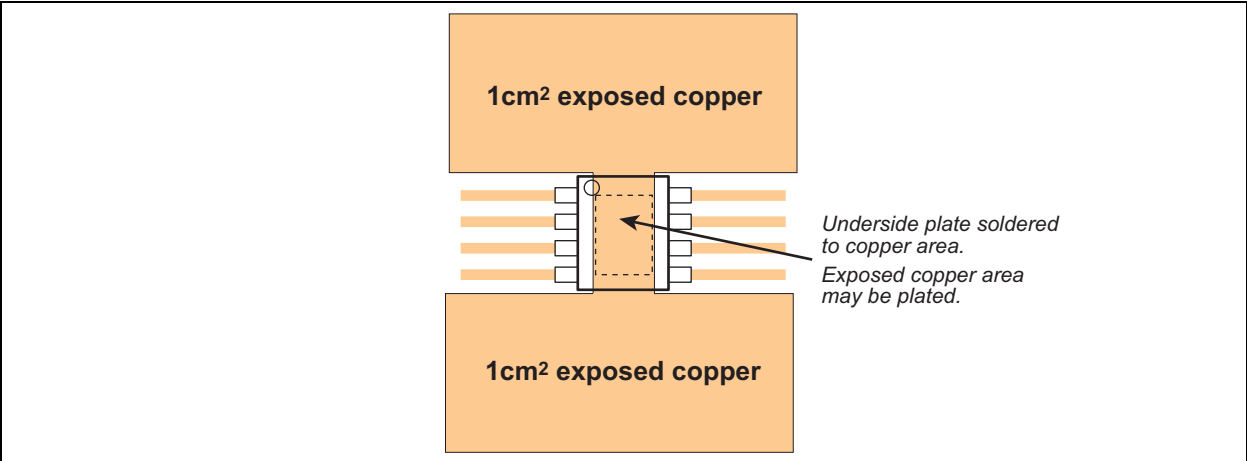


CL320/CL325/CL330

Load Regulation



Recommended PCB Layout



2.0 PIN DESCRIPTION

The pin details of CL320/CL325/CL330 are listed on [Table 2-1](#). Refer to [Package Type](#) for the location of the pins.

TABLE 2-1: PIN FUNCTION TABLE

Pin Number	Pin Name	Description
1	$\overline{\text{EN1}}$	Output enable, active low
2	$\overline{\text{EN2}}$	
3	$\overline{\text{EN3}}$	
4	GND	Circuit common
5	OUT3	Constant current output (sinking). Connect the cathodes of the LEDs to these pins.
6	OUT2	
7	OUT1	
8	VIN	Supply voltage 6.5V to 90V. Bypass locally with a 100 nF capacitor to ground.
Underside Plate	GND	The exposed underside plate is internally connected to the GND pin. The plate may either be left floating or connected to ground. Solder the plate to an exposed copper area on the PCB for heatsinking purposes. (See Recommended PCB Layout .)

CL320/CL325/CL330

3.0 DETAILED DESCRIPTION

3.1 Higher LED Current

By paralleling outputs, higher LED currents can be achieved. In addition, linear dimming in three discrete steps may be obtained by enabling 1, 2 or 3 outputs.

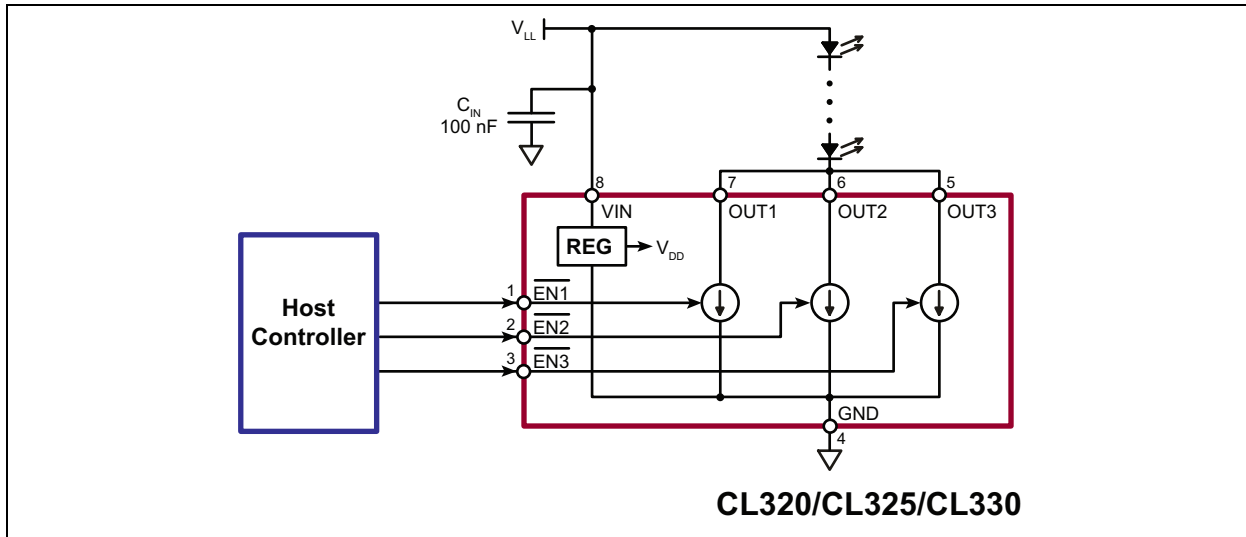


FIGURE 3-1: Paralleling Outputs of the CL320/CL325/CL330 LED Drivers.

3.2 Lower Power Dissipation in the CL320/CL325/CL330

Power dissipation in the CL320/CL325/CL330 can be lowered in multiple ways. The following figures indicate some of the possible means to reduce power dissipation in the IC. Refer to [Figure 3-2](#), [Figure 3-3](#) and [Figure 3-4](#).

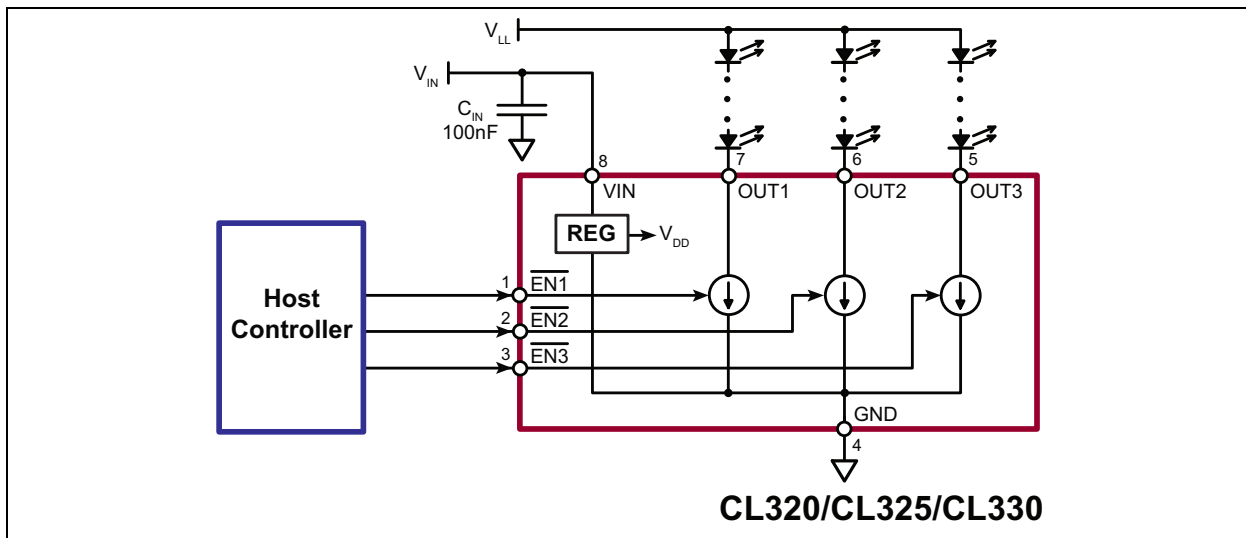


FIGURE 3-2: Using a Separate Voltage Source for V_{IN} that is lower than V_{LL} .

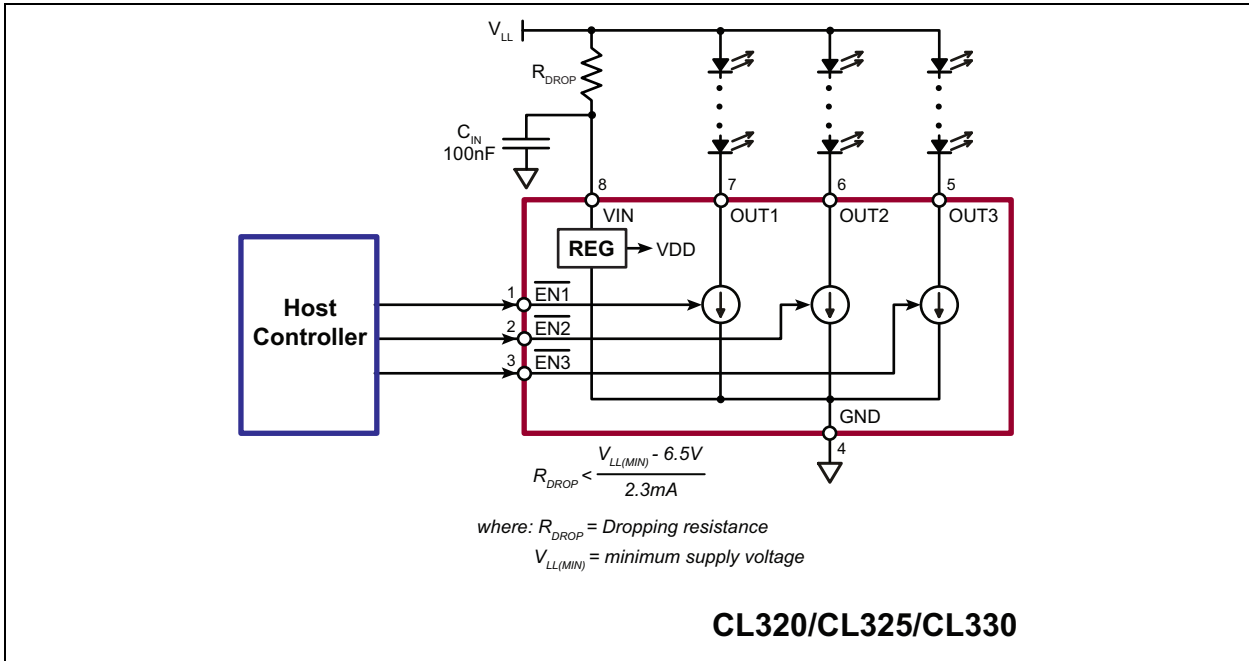


FIGURE 3-3: Using an External Resistor in Series with the V_{IN} pin.

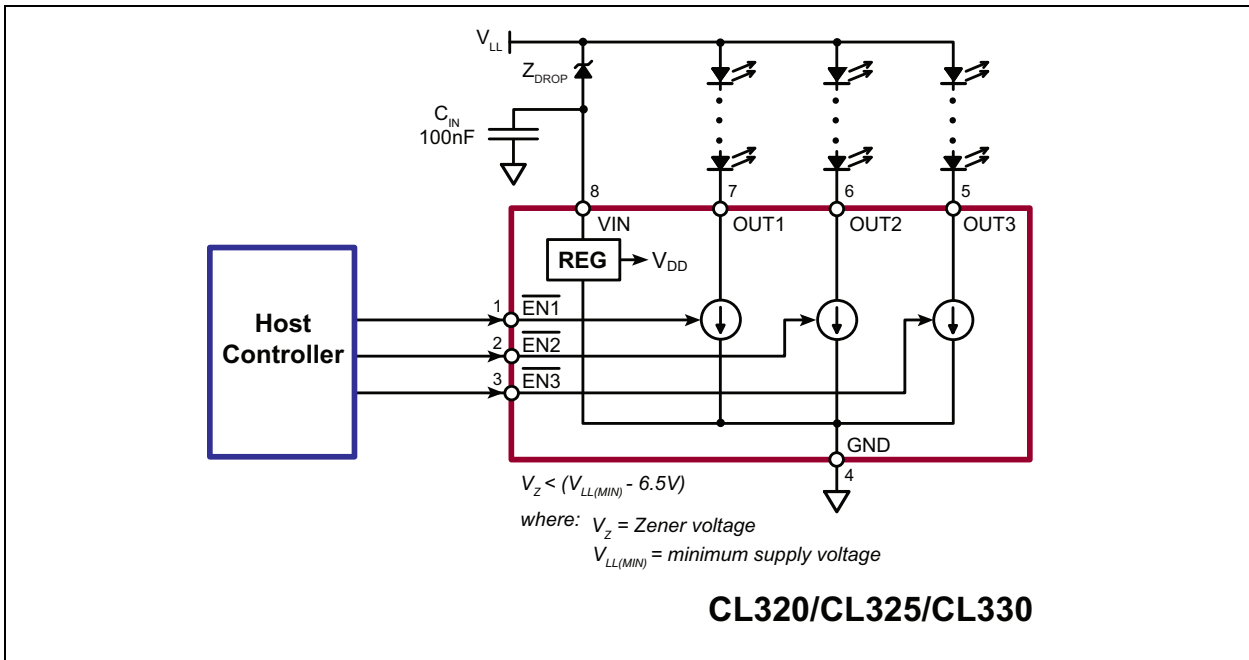
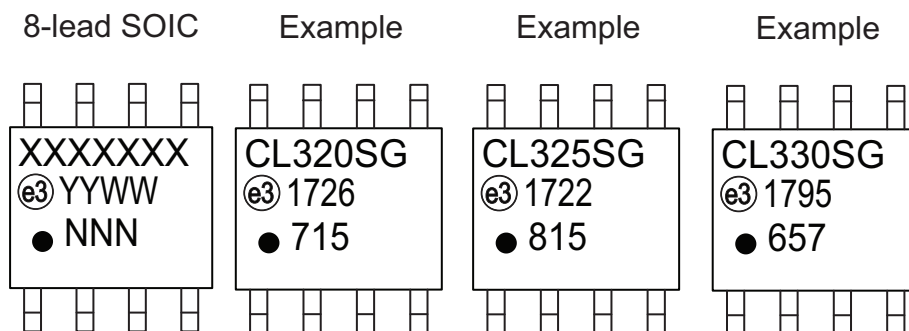


FIGURE 3-4: Using an External Zener Diode in Series with the V_{IN} pin.

CL320/CL325/CL330

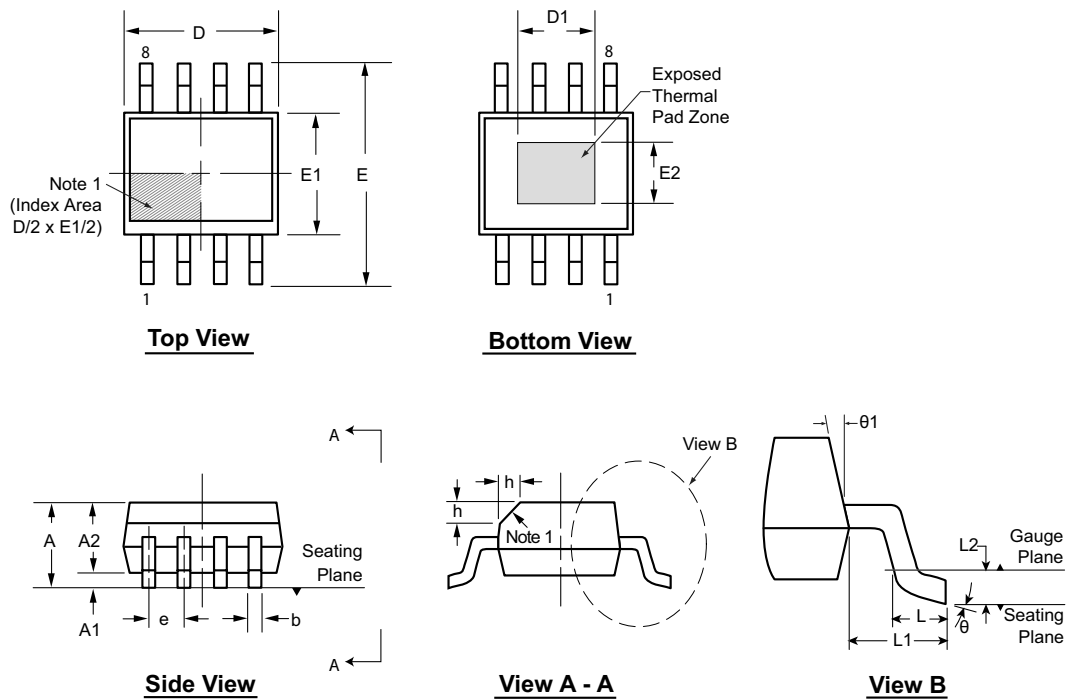
4.0 PACKAGING INFORMATION

4.1 Package Marking Information



Legend:	XX...X	Product Code or Customer-specific information
	Y	Year code (last digit of calendar year)
	YY	Year code (last 2 digits of calendar year)
	WW	Week code (week of January 1 is week '01')
	NNN	Alphanumeric traceability code
	(e3)	Pb-free JEDEC® designator for Matte Tin (Sn)
	*	This package is Pb-free. The Pb-free JEDEC designator (e3) can be found on the outer packaging for this package.
Note:	In the event the full Microchip part number cannot be marked on one line, it will be carried over to the next line, thus limiting the number of available characters for product code or customer-specific information. Package may or not include the corporate logo.	

8-Lead SOIC (Narrow Body w/Heat Slug) Package Outline (SG) 4.90x3.90mm body, 1.70mm height (max), 1.27mm pitch



Note: For the most current package drawings, see the Microchip Packaging Specification at www.microchip.com/packaging.

Note:

1. If optional chamfer feature is not present, a Pin 1 identifier must be located in the index area indicated. The Pin 1 identifier can be: a molded mark/identifier; an embedded metal marker; or a printed indicator.

Symbol	A	A1	A2	b	D	D1	E	E1	E2	e	h	L	L1	L2	θ	θ1			
Dimension (mm)	MIN	1.25*	0.00	1.25	0.31	4.80*	3.30†	5.80*	3.80*	2.29†	1.27 BSC	0.25	0.40	1.04 REF	0.25	8°	5°		
	NOM	-	-	-	4.90	-	6.00	3.90	-	-		-	-		-		-	-	-
	MAX	1.70	0.15	1.55*	0.51	5.00*	3.81†	6.20*	4.00*	2.79†		0.50	1.27		-		0.25	15°	

JEDEC Registration MS-012, Variation BA, Issue E, Sept. 2005.

* This dimension is not specified in the JEDEC drawing.

† This dimension differs from the JEDEC drawing.

Drawings not to scale.

CL320/CL325/CL330

NOTES:

APPENDIX A: REVISION HISTORY

Revision A (May 2017)

- Consolidated and converted Supertex Doc# DSFP-CL320, Doc# DSFP-CL325 and Doc# DSFP-CL330 to Microchip DS20005599A
- Changed package marking format
- Changed the quantity of the SG package from 2500/Reel to 3300/Reel
- Made minor text changes throughout the document

CL320/CL325/CL330

PRODUCT IDENTIFICATION SYSTEM

To order or obtain information, e.g., on pricing or delivery, contact your local Microchip representative or sales office.

<u>PART NO.</u>	<u>XX</u>	-	<u>X</u>	-	<u>X</u>
Device	Package Options		Environmental		Media Type
Devices:	CL320	=	3-Channel, 20 mA Linear LED Driver		
	CL325	=	3-Channel, 25 mA Linear LED Driver		
	CL330	=	3-Channel, 30 mA Linear LED Driver		
Package:	SG	=	8-lead SOIC (with Heat Slug)		
Environmental:	G	=	Lead (Pb)-free/RoHS-compliant Package		
Media Type:	(blank)	=	3300/Reel for an SG Package		

Examples:

a) CL320SG-G: 3-Channel, 20 mA Linear LED Driver, 8-lead SOIC Package, 3300/Reel

b) CL325SG-G: 3-Channel, 25 mA Linear LED Driver, 8-lead SOIC Package, 3300/Reel

c) CL330SG-G: 3-Channel, 30 mA Linear LED Driver, 8-lead SOIC Package, 3300/Reel

Note the following details of the code protection feature on Microchip devices:

- Microchip products meet the specification contained in their particular Microchip Data Sheet.
- Microchip believes that its family of products is one of the most secure families of its kind on the market today, when used in the intended manner and under normal conditions.
- There are dishonest and possibly illegal methods used to breach the code protection feature. All of these methods, to our knowledge, require using the Microchip products in a manner outside the operating specifications contained in Microchip's Data Sheets. Most likely, the person doing so is engaged in theft of intellectual property.
- Microchip is willing to work with the customer who is concerned about the integrity of their code.
- Neither Microchip nor any other semiconductor manufacturer can guarantee the security of their code. Code protection does not mean that we are guaranteeing the product as “unbreakable.”

Code protection is constantly evolving. We at Microchip are committed to continuously improving the code protection features of our products. Attempts to break Microchip's code protection feature may be a violation of the Digital Millennium Copyright Act. If such acts allow unauthorized access to your software or other copyrighted work, you may have a right to sue for relief under that Act.

Information contained in this publication regarding device applications and the like is provided only for your convenience and may be superseded by updates. It is your responsibility to ensure that your application meets with your specifications. MICROCHIP MAKES NO REPRESENTATIONS OR WARRANTIES OF ANY KIND WHETHER EXPRESS OR IMPLIED, WRITTEN OR ORAL, STATUTORY OR OTHERWISE, RELATED TO THE INFORMATION, INCLUDING BUT NOT LIMITED TO ITS CONDITION, QUALITY, PERFORMANCE, MERCHANTABILITY OR FITNESS FOR PURPOSE. Microchip disclaims all liability arising from this information and its use. Use of Microchip devices in life support and/or safety applications is entirely at the buyer's risk, and the buyer agrees to defend, indemnify and hold harmless Microchip from any and all damages, claims, suits, or expenses resulting from such use. No licenses are conveyed, implicitly or otherwise, under any Microchip intellectual property rights unless otherwise stated.

Microchip received ISO/TS-16949:2009 certification for its worldwide headquarters, design and wafer fabrication facilities in Chandler and Tempe, Arizona; Gresham, Oregon and design centers in California and India. The Company's quality system processes and procedures are for its PIC® MCUs and dsPIC® DSCs, KEELOQ® code hopping devices, Serial EEPROMs, microperipherals, nonvolatile memory and analog products. In addition, Microchip's quality system for the design and manufacture of development systems is ISO 9001:2000 certified.

**QUALITY MANAGEMENT SYSTEM
CERTIFIED BY DNV
= ISO/TS 16949 =**

Trademarks

The Microchip name and logo, the Microchip logo, AnyRate, AVR, AVR logo, AVR Freaks, BeaconThings, BitCloud, CryptoMemory, CryptoRF, dsPIC, FlashFlex, flexPWR, Heldo, JukeBlox, KEELOQ, KEELOQ logo, Klear, LANCheck, LINK MD, maXStylus, maXTouch, MediaLB, megaAVR, MOST, MOST logo, MPLAB, OptoLyzer, PIC, picoPower, PICSTART, PIC32 logo, Prochip Designer, QTouch, RightTouch, SAM-BA, SpyNIC, SST, SST Logo, SuperFlash, tinyAVR, UNI/O, and XMEGA are registered trademarks of Microchip Technology Incorporated in the U.S.A. and other countries.

ClockWorks, The Embedded Control Solutions Company, EtherSynch, Hyper Speed Control, HyperLight Load, IntelliMOS, mTouch, Precision Edge, and Quiet-Wire are registered trademarks of Microchip Technology Incorporated in the U.S.A.

Adjacent Key Suppression, AKS, Analog-for-the-Digital Age, Any Capacitor, AnyIn, AnyOut, BodyCom, chipKIT, chipKIT logo, CodeGuard, CryptoAuthentication, CryptoCompanion, CryptoController, dsPICDEM, dsPICDEM.net, Dynamic Average Matching, DAM, ECAN, EtherGREEN, In-Circuit Serial Programming, ICSP, Inter-Chip Connectivity, JitterBlocker, KlearNet, KlearNet logo, Mindi, MiWi, motorBench, MPASM, MPF, MPLAB Certified logo, MPLIB, MPLINK, MultiTRAK, NetDetach, Omniscient Code Generation, PICDEM, PICDEM.net, PICKit, PICTail, PureSilicon, QMatrix, RightTouch logo, REAL ICE, Ripple Blocker, SAM-ICE, Serial Quad I/O, SMART-I.S., SQI, SuperSwitcher, SuperSwitcher II, Total Endurance, TSHARC, USBCheck, VariSense, ViewSpan, WiperLock, Wireless DNA, and ZENA are trademarks of Microchip Technology Incorporated in the U.S.A. and other countries.

SQTP is a service mark of Microchip Technology Incorporated in the U.S.A.

Silicon Storage Technology is a registered trademark of Microchip Technology Inc. in other countries.

GestIC is a registered trademark of Microchip Technology Germany II GmbH & Co. KG, a subsidiary of Microchip Technology Inc., in other countries.

All other trademarks mentioned herein are property of their respective companies.

© 2017, Microchip Technology Incorporated, All Rights Reserved.
ISBN: 978-1-5224-1719-4



MICROCHIP

Worldwide Sales and Service

AMERICAS

Corporate Office

2355 West Chandler Blvd.
Chandler, AZ 85224-6199
Tel: 480-792-7200
Fax: 480-792-7277
Technical Support:
<http://www.microchip.com/support>

Web Address:

www.microchip.com

Atlanta

Duluth, GA
Tel: 678-957-9614
Fax: 678-957-1455

Austin, TX

Tel: 512-257-3370

Boston

Westborough, MA
Tel: 774-760-0087
Fax: 774-760-0088

Chicago

Itasca, IL
Tel: 630-285-0071
Fax: 630-285-0075

Dallas

Addison, TX
Tel: 972-818-7423
Fax: 972-818-2924

Detroit

Novi, MI
Tel: 248-848-4000

Houston, TX

Tel: 281-894-5983

Indianapolis

Noblesville, IN
Tel: 317-773-8323
Fax: 317-773-5453
Tel: 317-536-2380

Los Angeles

Mission Viejo, CA
Tel: 949-462-9523
Fax: 949-462-9608
Tel: 951-273-7800

Raleigh, NC

Tel: 919-844-7510

New York, NY

Tel: 631-435-6000

San Jose, CA

Tel: 408-735-9110
Tel: 408-436-4270

Canada - Toronto

Tel: 905-695-1980
Fax: 905-695-2078

ASIA/PACIFIC

Asia Pacific Office

Suites 3707-14, 37th Floor
Tower 6, The Gateway
Harbour City, Kowloon

Hong Kong

Tel: 852-2943-5100
Fax: 852-2401-3431

Australia - Sydney

Tel: 61-2-9868-6733
Fax: 61-2-9868-6755

China - Beijing

Tel: 86-10-8569-7000
Fax: 86-10-8528-2104

China - Chengdu

Tel: 86-28-8665-5511
Fax: 86-28-8665-7889

China - Chongqing

Tel: 86-23-8980-9588
Fax: 86-23-8980-9500

China - Dongguan

Tel: 86-769-8702-9880

China - Guangzhou

Tel: 86-20-8755-8029

China - Hangzhou

Tel: 86-571-8792-8115
Fax: 86-571-8792-8116

China - Hong Kong SAR

Tel: 852-2943-5100
Fax: 852-2401-3431

China - Nanjing

Tel: 86-25-8473-2460
Fax: 86-25-8473-2470

China - Qingdao

Tel: 86-532-8502-7355
Fax: 86-532-8502-7205

China - Shanghai

Tel: 86-21-3326-8000
Fax: 86-21-3326-8021

China - Shenyang

Tel: 86-24-2334-2829
Fax: 86-24-2334-2393

China - Shenzhen

Tel: 86-755-8864-2200
Fax: 86-755-8203-1760

China - Wuhan

Tel: 86-27-5980-5300
Fax: 86-27-5980-5118

China - Xian

Tel: 86-29-8833-7252
Fax: 86-29-8833-7256

ASIA/PACIFIC

China - Xiamen

Tel: 86-592-2388138
Fax: 86-592-2388130

China - Zhuhai

Tel: 86-756-3210040
Fax: 86-756-3210049

India - Bangalore

Tel: 91-80-3090-4444
Fax: 91-80-3090-4123

India - New Delhi

Tel: 91-11-4160-8631
Fax: 91-11-4160-8632

India - Pune

Tel: 91-20-3019-1500

Japan - Osaka

Tel: 81-6-6152-7160
Fax: 81-6-6152-9310

Japan - Tokyo

Tel: 81-3-6880-3770
Fax: 81-3-6880-3771

Korea - Daegu

Tel: 82-53-744-4301
Fax: 82-53-744-4302

Korea - Seoul

Tel: 82-2-554-7200
Fax: 82-2-558-5932 or
82-2-558-5934

Malaysia - Kuala Lumpur

Tel: 60-3-6201-9857
Fax: 60-3-6201-9859

Malaysia - Penang

Tel: 60-4-227-8870
Fax: 60-4-227-4068

Philippines - Manila

Tel: 63-2-634-9065
Fax: 63-2-634-9069

Singapore

Tel: 65-6334-8870
Fax: 65-6334-8850

Taiwan - Hsin Chu

Tel: 886-3-5778-366
Fax: 886-3-5770-955

Taiwan - Kaohsiung

Tel: 886-7-213-7830

Taiwan - Taipei

Tel: 886-2-2508-8600
Fax: 886-2-2508-0102

Thailand - Bangkok

Tel: 66-2-694-1351
Fax: 66-2-694-1350

EUROPE

Austria - Wels

Tel: 43-7242-2244-39
Fax: 43-7242-2244-393

Denmark - Copenhagen

Tel: 45-4450-2828
Fax: 45-4485-2829

Finland - Espoo

Tel: 358-9-4520-820

France - Paris

Tel: 33-1-69-53-63-20
Fax: 33-1-69-30-90-79

France - Saint Cloud

Tel: 33-1-30-60-70-00

Germany - Garching

Tel: 49-8931-9700

Germany - Haan

Tel: 49-2129-3766400

Germany - Heilbronn

Tel: 49-7131-67-3636

Germany - Karlsruhe

Tel: 49-721-625370

Germany - Munich

Tel: 49-89-627-144-0
Fax: 49-89-627-144-44

Germany - Rosenheim

Tel: 49-8031-354-560

Israel - Ra'anana

Tel: 972-9-744-7705

Italy - Milan

Tel: 39-0331-742611
Fax: 39-0331-466781

Italy - Padova

Tel: 39-049-7625286

Netherlands - Drunen

Tel: 31-416-690399
Fax: 31-416-690340

Norway - Trondheim

Tel: 47-7289-7561

Poland - Warsaw

Tel: 48-22-3325737

Romania - Bucharest

Tel: 40-21-407-87-50

Spain - Madrid

Tel: 34-91-708-08-90
Fax: 34-91-708-08-91

Sweden - Gothenberg

Tel: 46-31-704-60-40

Sweden - Stockholm

Tel: 46-8-5090-4654

UK - Wokingham

Tel: 44-118-921-5800
Fax: 44-118-921-5820