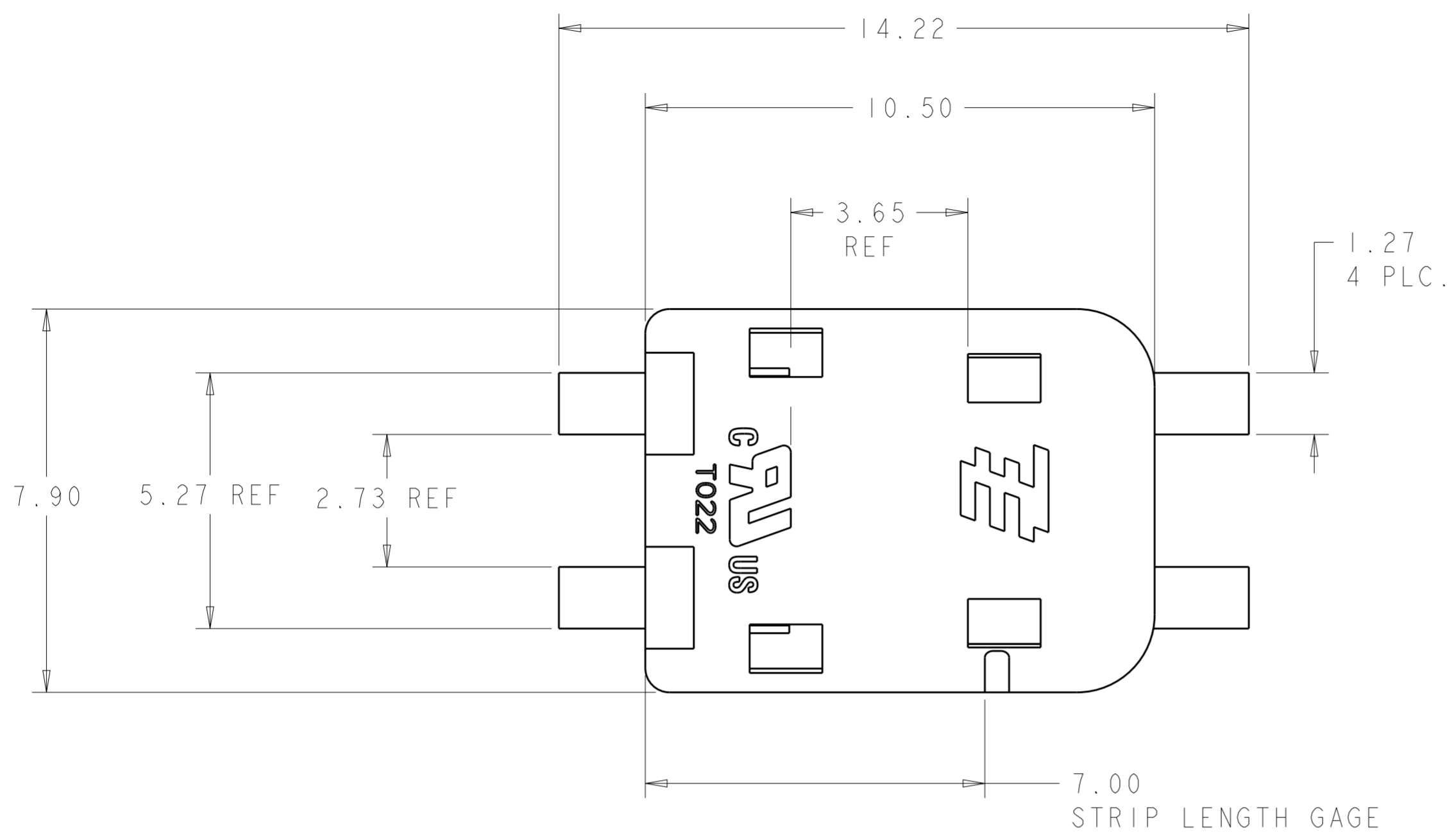
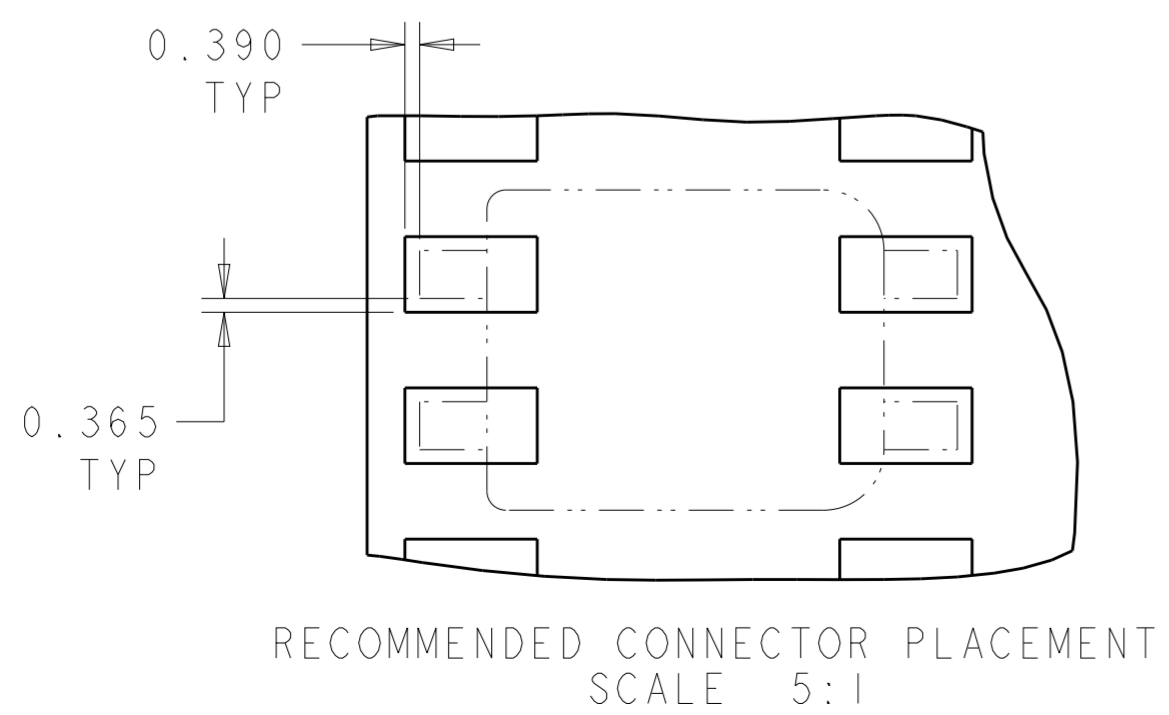
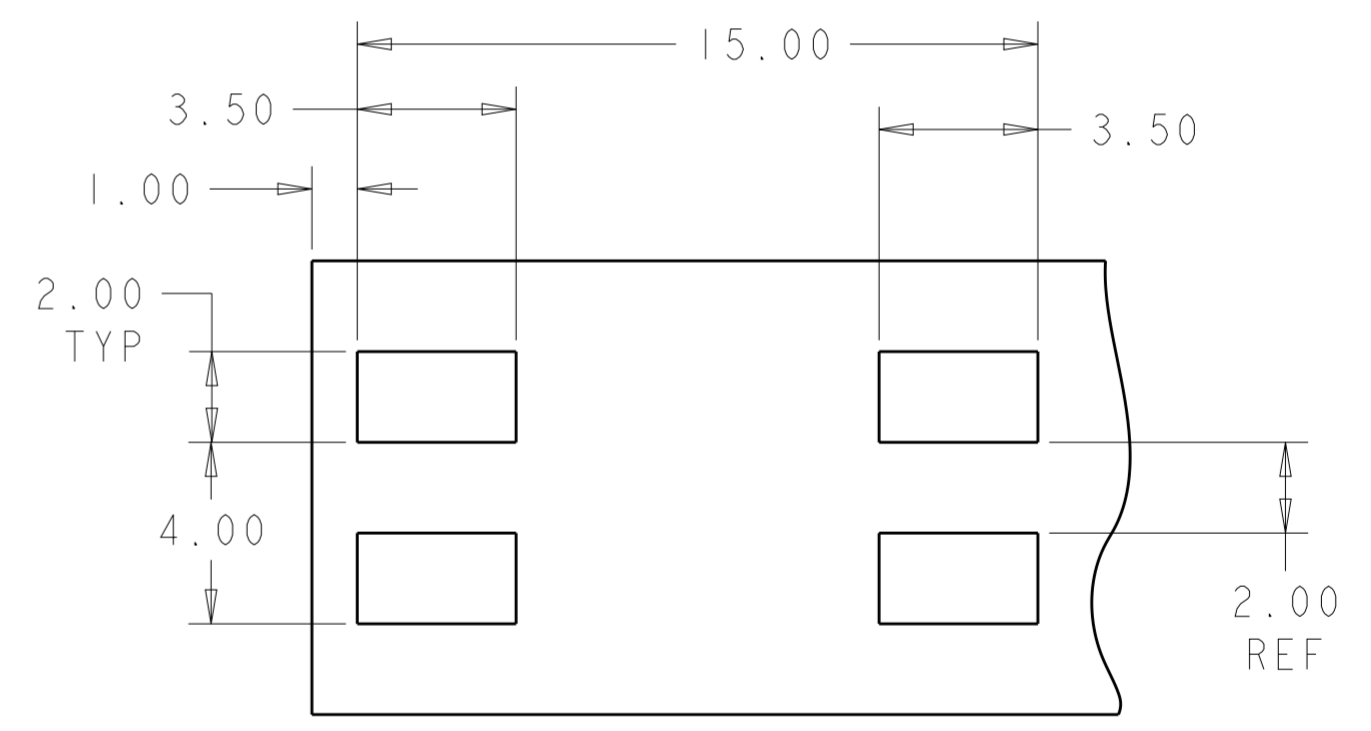
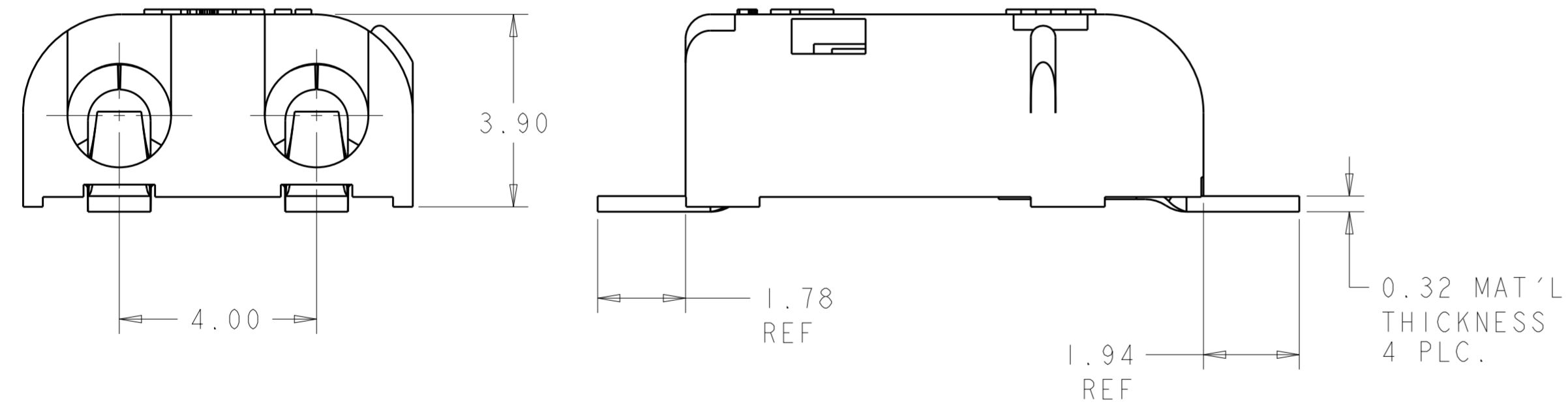


THIS DRAWING IS UNPUBLISHED. RELEASED FOR PUBLICATION 20
 © COPYRIGHT 20 BY - ALL RIGHTS RESERVED.

LOC		DIST		REVISIONS			
P	LTR	DESCRIPTION	DATE	DWN	APVD		
AF	50						
	A7	REVISED PER ECO-11-004587	11MAR2011	RK	HMR		
	A8	REVISED PER ECR-11-011090	03JUN2011	SK	DD		
	A9	REVISED PER ECR-14-017349	02DEC2014	RS	DD		



- NOTES :
- 1. MATERIALS AND FINISH:
 - HOUSING: LCP, COLOR: WHITE
 - CONTACTS: COPPER ALLOY, FINISH: TIN
 - 2. MUST COMPLY WITH DIRECTIVE 2002/95/EC (ROHS)
 - 3. NOTE DELETED.
 - 4. WIRE TYPES AND SIZES ACCEPTED
 18, 20 AND 22 AWG SOLID WIRE
 18 AND 20 AWG PREBOND STRANDED WIRE
 18 AWG STRANDED WIRE (16 STRAND COUNT)
 MAX INSULATION OD: 2.10 MM (.083")
 STRIP LENGTH: 7.0±1.0 (.276")
 - 5. MATERIAL AND FINISH:
 -HOUSING: LCP, COLOR: BLACK.
 -CONTACTS: COPPER ALLOY, FINISH: TIN
 - 6. PACKAGED IN TAPE AND REEL



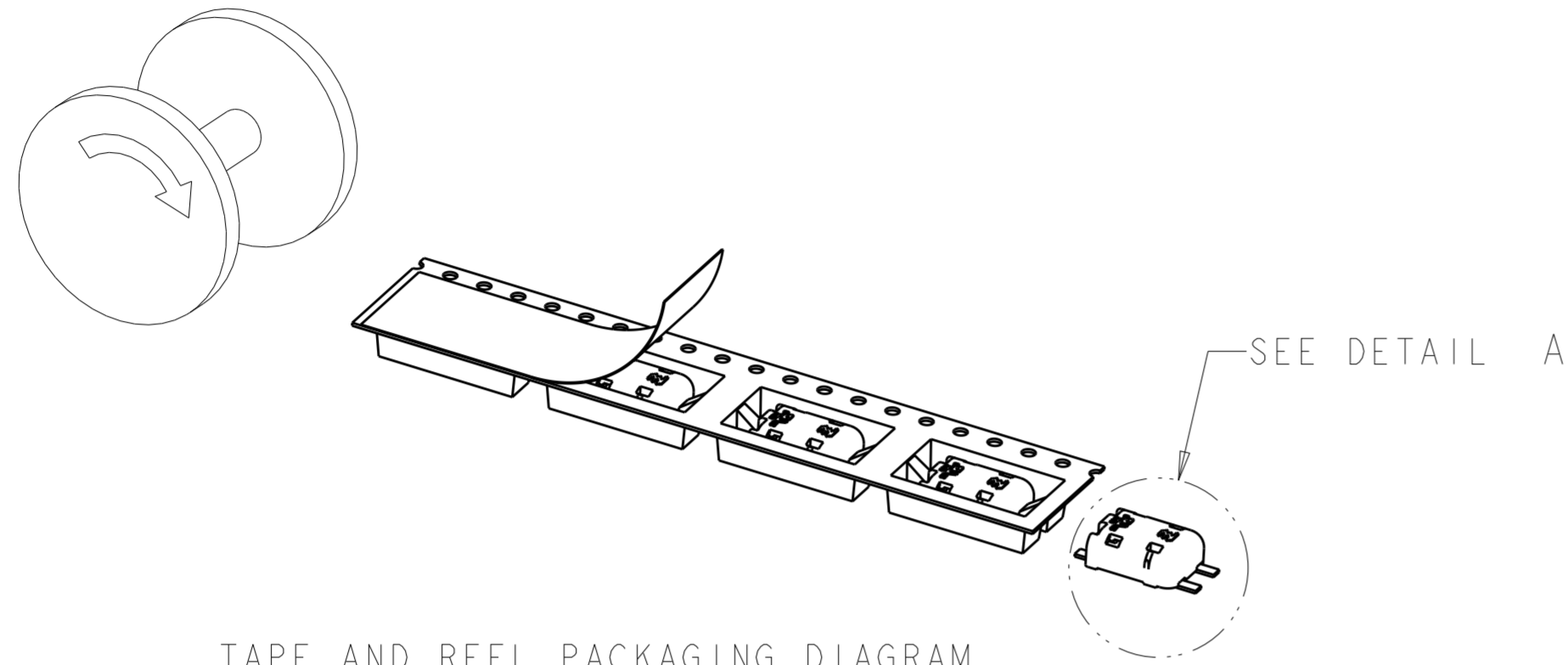
PACKAGING	MATERIAL	COLOR	PART NO.
OBSELETE	1	WHITE	1954097-3
6	5	BLACK	1-1954097-1
6	1	WHITE	1954097-1

THIS DRAWING IS A CONTROLLED DOCUMENT.

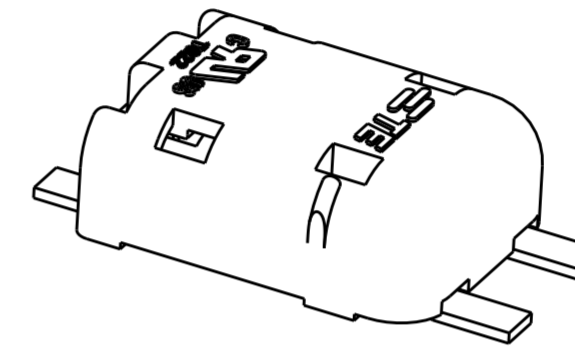
DWN: C. DAILY 06 JUN 2006	TE Connectivity									
CHK: S. HORST 06 JUN 2006										
APVD: J.K. KNOLL 25 OCT 2007										
PRODUCT SPEC: 108-2284										
MATERIAL: SEE TABLE	TOLERANCES UNLESS OTHERWISE SPECIFIED:	APPLICATION SPEC: 114-13194	NAME: POKE-IN LED CONNECTOR ASSEMBLY, 2 POSITION SMT							
0 PLC ±	1 PLC ±0.2	2 PLC ±0.10	3 PLC ±	4 PLC ±	ANGLES ±3°	FINISH	SIZE: A200779	CAGE CODE: C-1954097	DRAWING NO: 1954097	RESTRICTED TO: -
SEE TABLE	SEE TABLE	Customer Drawing	SCALE: 7:1	SHEET: 1 OF 2	REV: A9					

THIS DRAWING IS UNPUBLISHED. RELEASED FOR PUBLICATION 20
 © COPYRIGHT 20 BY - ALL RIGHTS RESERVED.

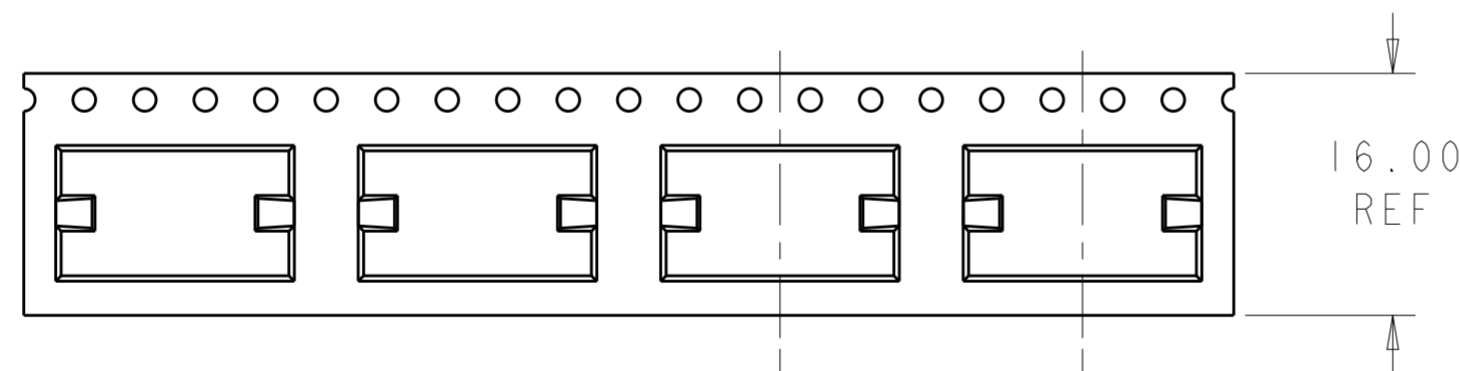
LOC	DIST	REVISIONS				
P	LTR	DESCRIPTION	DATE	DWN	APVD	
AF	50	-	SEE SHEET 1	-	-	



TAPE AND REEL PACKAGING DIAGRAM
 FOR 1954097-1 & 1-1954097-1



DETAIL A
 SCALE 5:1



20.00 REF
 TYP

SCALE 2:1

THIS DRAWING IS A CONTROLLED DOCUMENT.		DWN C. DAILY 06 JUN 2006	TE Connectivity	
		CHK S. HORST 06 JUN 2006		
		APVD J. K. KNOLL 25 OCT 2007	NAME POKE-IN LED CONNECTOR ASSEMBLY, 2 POSITION SMT	
DIMENSIONS: mm		PRODUCT SPEC 108-2284		SIZE A200779
TOLERANCES UNLESS OTHERWISE SPECIFIED: 0 PLC ± 1 PLC ±0.2 2 PLC ±0.10 3 PLC ± 4 PLC ± ANGLES ±3° FINISH		APPLICATION SPEC 114-13194		CAGE CODE C-1954097
MATERIAL SEE TABLE		WEIGHT -		RESTRICTED TO -
		Customer Drawing		SCALE 7:1 SHEET 2 OF 2 REV A9