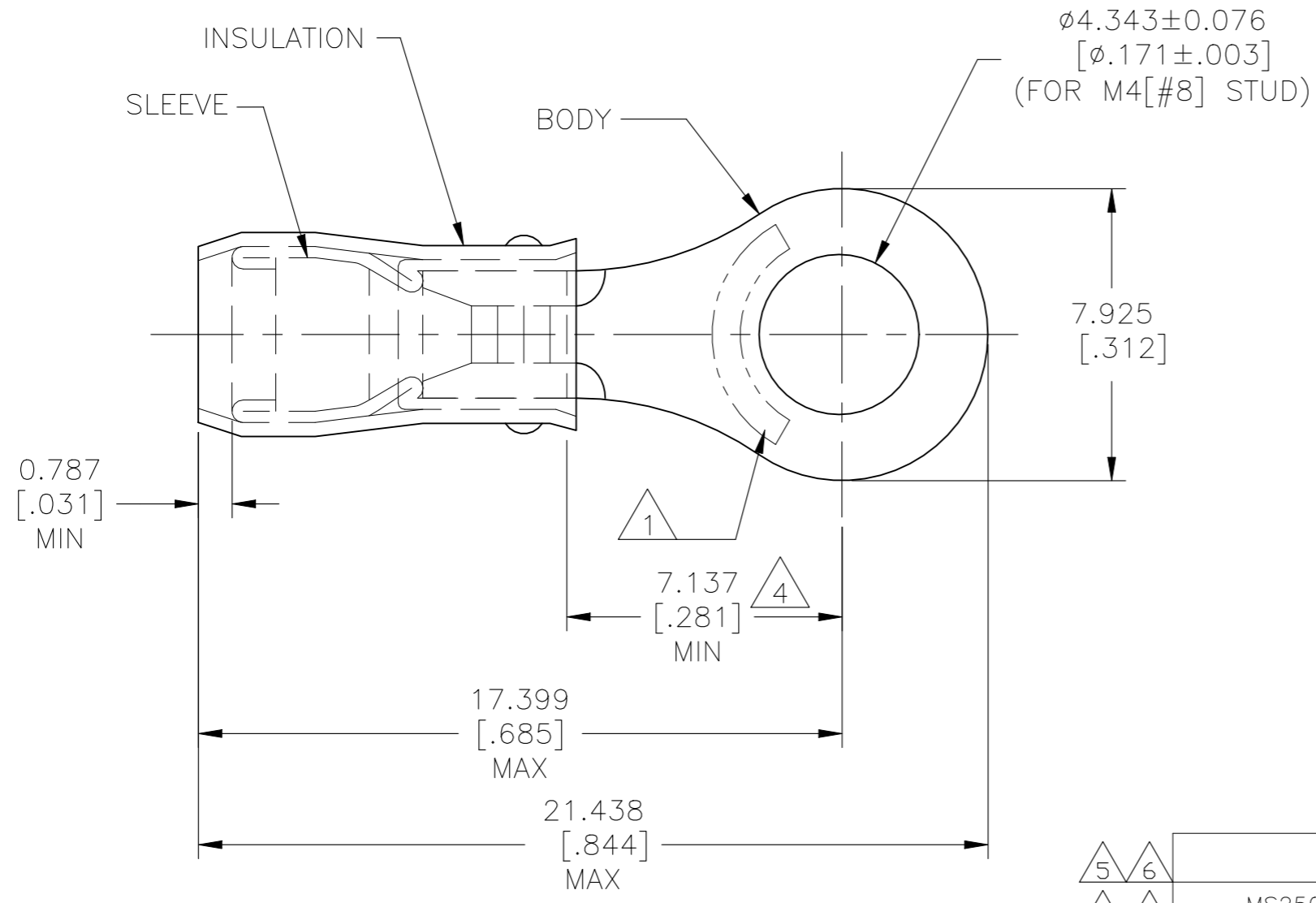


THIS DRAWING IS UNPUBLISHED. RELEASED FOR PUBLICATION
 © COPYRIGHT - By - ALL RIGHTS RESERVED.

| REVISIONS | | | | |
|-----------|-----|---------------------------|-----------|--------|
| P | LTR | DESCRIPTION | DATE | APVD |
| | AA4 | REVISED PER ECN-22-156403 | 03JUN2022 | RK CSD |

| | | |
|--------------------------------|-----------------------|--------------------------------|
| AMP WIRE RANGE | E13288 Listed | LR7189 Certified |
| 22-16 AWG SOLID OR STRANDED | 22-16 AWG STRANDED | 22-16 AWG SOLID OR STRANDED |



- STAMP AMP 22-18* APPROX AS SHOWN
22-16 TERMINALS ARE STAMPED 22-18 IN
ACCORDANCE WITH MILITARY SPEC SAE AS7928
COMMERCIAL WIRE RANGE IS 22-16.
- 2 WIRE INSULATION DIA: 2.032-3.175[.080-.125].
- 3 BODY MATERIAL THK: 0.787±0.051[.031±.002].
- APPLIES FROM EDGE OF METAL WIRE BARREL TO
CENTER OF STUD HOLE.
- UL LISTED
- CSA CERTIFIED


| | | | | | |
|--|--|------------------------|----------|---------------|------------|
| | | - | 5000 | ON TAPE, REEL | 1-320551-1 |
| | | MS25036-149 CLASS 1 | 1000 | LOOSE PIECE | 320551 |
| | | MILITARY P/N AND CLASS | QUANTITY | PACKAGE TYPE | PART NO |

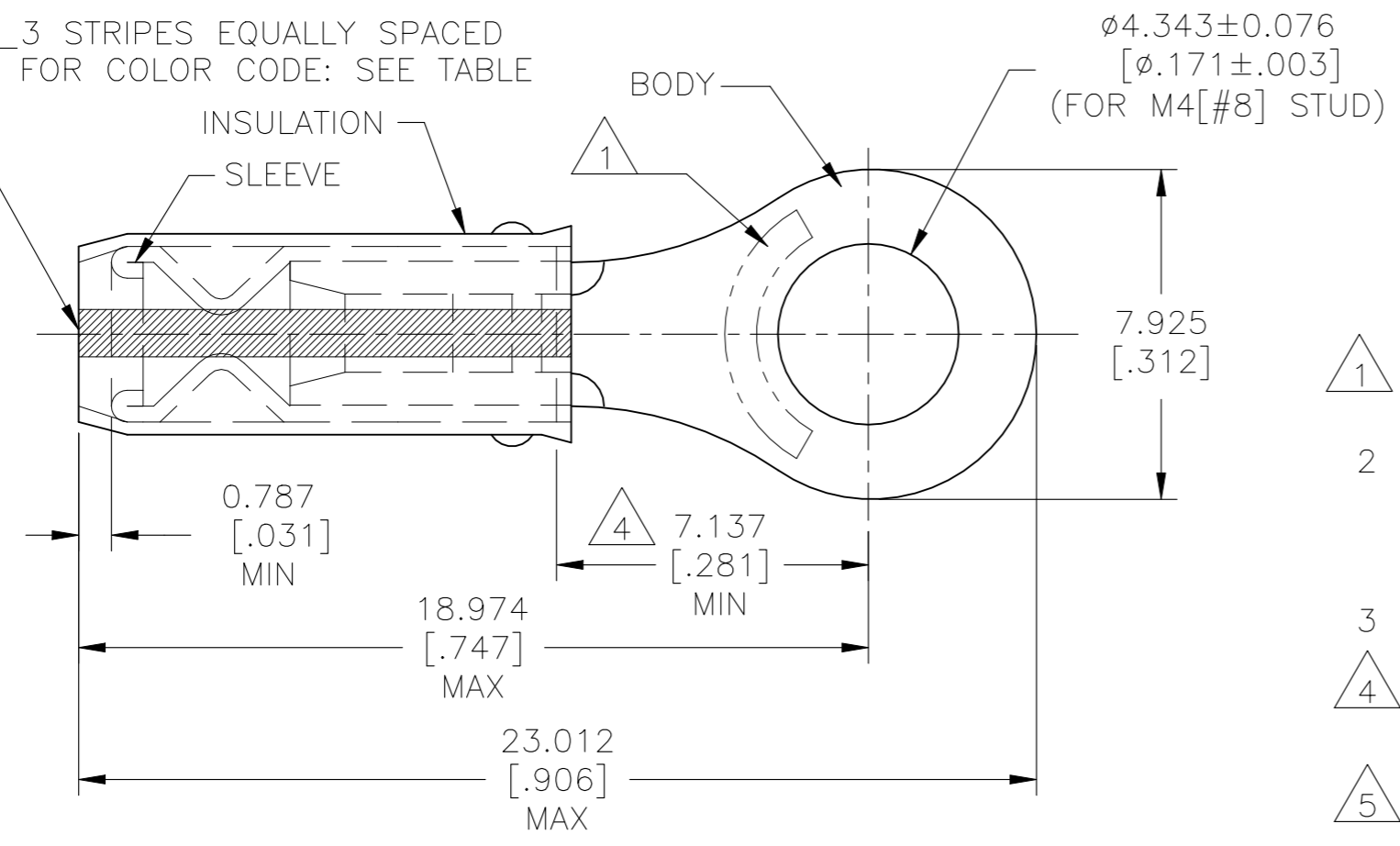
| | | |
|---|--|---|
| AMP INCORPORATED CUSTOMER SERVICE SYSTEMS | | MAX RECOMMENDED OPERATING TEMPERATURE: 105°C[221°F] |
| FOR ADDITIONAL PRODUCT INFORMATION OR COPIES OF DRAWINGS AND TECHNICAL DOCUMENTS | PRODUCT INFORMATION CENTER 1-800-522-6752 | VOLTAGE RATING: 300 V MAX |
| FOR APPLICATION TOOLING INFORMATION | TOOLING ASSISTANCE CENTER 1-800-722-1111 | CIRCULAR MIL AREA: 0.26-1.65mm²[509-3,260] CIR MILS SOLID OR STRANDED |
| FOR ORDER ENTRY | 1-800-526-5142 | |

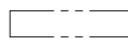
| | | | | | |
|---|--|--|---|--------------------|--------------------|
| THIS DRAWING IS A CONTROLLED DOCUMENT. | | DWN DK SCHRUM 9/8/93 | TE Connectivity Ltd. | | |
| DIMENSIONS: mm [INCHES] | | CHK RE HERSEY 9/8/93 | | | |
| TOLERANCES UNLESS OTHERWISE SPECIFIED: | | APVD ML ELLIS 9/8/93 | NAME TERMINAL, RING TONGUE, PIDG™, WIRE SIZE, 26-16 AWG | | |
| 0 PLC ± - 1 PLC ± - 2 PLC ± - 3 PLC ± 0.127[.005] 4 PLC ± - ANGLES ± - | | PRODUCT SPEC UL 486A-B | APPLICATION SPEC 114-2157 | | |
| MATERIAL BODY & SLEEVE COPPER PER ASTM B-152 INSULATION: NYLON | | FINISH BODY & SLEEVE TIN PLATE PER ASTM B545 INSULATION: COLOR-RED | WEIGHT - | SIZE A3 | CAGE CODE 00779 |
| CUSTOMER DRAWING | | | DRAWING NO C-320551 | RESTRICTED TO - | |
| | | | SCALE NTS | SHEET 1 OF 2 | REV AA4 |

THIS DRAWING IS UNPUBLISHED. RELEASED FOR PUBLICATION
 © COPYRIGHT - By - ALL RIGHTS RESERVED.

| REVISIONS | | | | | |
|-----------|-----|-------------|------|-----|------|
| P | LTR | DESCRIPTION | DATE | DWN | APVD |
| - | - | SEE SHEET 1 | - | - | - |

| | |
|--------------------------|--|
| AMP WIRE RANGE |  LR 7189 Certified |
| SEE TABLE STRANDED | WIRE SIZE PER TABLE STRANDED |



- 1 STAMP AMP  APPROX AS SHOWN SEE TABLE BELOW.
- 2 WIRE INSULATION DIA: 0.965-2.794[.038-.110] FOR 22 AWG
1.168-2.794[.046-.110] FOR 20 AWG
1.422-2.794[.056-.110] FOR 18 AWG.
- 3 BODY MATERIAL THK: 0.787±0.051[.031±.002].
- 4 APPLIES FROM EDGE OF METAL WIRE BARREL TO CENTER OF STUD HOLE.
- 5 CSA CERTIFIED

| | | | | | | | |
|---|---------------------------|-----------------|------------|--------------|----------|------------------|------------|
| 5 | - | RED | 20* | 20 | 100 | LOOSE PIECE, BOX | 8-320551-1 |
| 5 | - | WHITE | 18* | 18 | 5000 | ON TAPE, REEL | 1-320551-8 |
| 5 | M7928/1-32 CLASS 1 | WHITE | 18* | 18 | 1000 | LOOSE PIECE | 1-320551-4 |
| 5 | M7928/1-23 CLASS 1 | RED | 20* | 20 | 1000 | LOOSE PIECE | 1-320551-3 |
| 5 | M7928/1-14 CLASS 1 | GREEN | 22* | 22 | 1000 | LOOSE PIECE | 1-320551-2 |
| | MILITARY P/N AND CLASS | STRIPE COLOR | 1 STAMPING | WIRE SIZE | QUANTITY | PACKAGE TYPE | PART NO |

AMP INCORPORATED
CUSTOMER SERVICE SYSTEMS

FOR ADDITIONAL PRODUCT INFORMATION OR COPIES OF DRAWINGS AND TECHNICAL DOCUMENTS
 PRODUCT INFORMATION CENTER
 1-800-522-6752

FOR APPLICATION TOOLING ASSISTANCE CENTER
 TOOLING INFORMATION
 1-800-722-1111

FOR ORDER ENTRY
 1-800-526-5142

MAX RECOMMENDED OPERATING TEMPERATURE:
 105°C[221°F]

VOLTAGE RATING: 300 V MAX

| | |
|-------------|-----------------------------|
| WIRE RANGE: | CIRC MIL AREA: |
| 22 | 0.38mm ² [754] |
| 20 | 0.60mm ² [1,186] |
| 18 | 0.96mm ² [1,900] |

STRANDED

THIS DRAWING IS A CONTROLLED DOCUMENT.


DIMENSIONS: mm [INCHES]

TOLERANCES UNLESS OTHERWISE SPECIFIED:

| | |
|--------|---------------|
| 0 PLC | ± - |
| 1 PLC | ± - |
| 2 PLC | ± - |
| 3 PLC | ± 0.127[.005] |
| 4 PLC | ± - |
| ANGLES | ± - |

MATERIAL BODY & SLEEVE
 COPPER PER ASTM B-152
 INSULATION: NYLON

FINISH BODY & SLEEVE
 TIN PLATE PER ASTM B545
 INSULATION: COLOR-RED

| | |
|----------------------|--|
| DWN DK SCHRUM 9/8/93 |  TE Connectivity Ltd. |
| CHK RE HERSEY 9/8/93 | |
| APVD ML ELLIS 9/8/93 | |
| PRODUCT SPEC | |
| NAME | TERMINAL, RING TONGUE, I.R., PIDG WIRE SIZE, 22, 20 & 18 AWG |
| APPLICATION SPEC | 114-2157 |
| WEIGHT - | SIZE A3 CAGE CODE 00779 DRAWING NO C-320551 RESTRICTED TO - |
| CUSTOMER DRAWING | SCALE NTS SHEET 2 OF 2 REV AA4 |