

Keywords: digital temperature sensors, thermal monitor, temp sensors, temperature sensor, thermal monitor ICs, integrated circuits

APPLICATION NOTE 1139

# Temperature Sensor Has One Digital Input and One Digital Output

Jun 28, 2002

*Abstract: Digital temperature sensors are available with a variety of serial interfaces of varying complexity. This application note shows how to use one family of thermal monitor ICs with a very simple 2-wire (clock in, data out) digital interface.*

The first digital temperature sensors used the SPI bus or I<sup>2</sup>C bus (also known as SMBus) for their serial data outputs. These buses require that the controlling processor write data to the sensor before they can read the temperature data.

The MAX6629-MAX6632 reduces complexity by not requiring the processor to write data. It requires only that you drive the clock and chip-select lines, so a simpler burst of clock pulses will read the temperature data.

The circuit of **Figure 1** makes reading the data simpler still by deriving the chip select signal from the clock. Communication is achieved with a single digital input and a single digital output.

Clock pulses on the normally high SCK line drive active-low CS low, so devices of the MAX6629-MAX6632 family let you retrieve digital data by simply applying a burst of clock pulses. (In a normal configuration, the three interface lines active-low CS, SO, and SCK function as shown in **Figure 2**.) The 2-line approach of Figure 1, on the other hand, requires that the SCK rest state (quiescent state) be high, which in turn calls for a slight modification of the Figure 2 timing diagram.

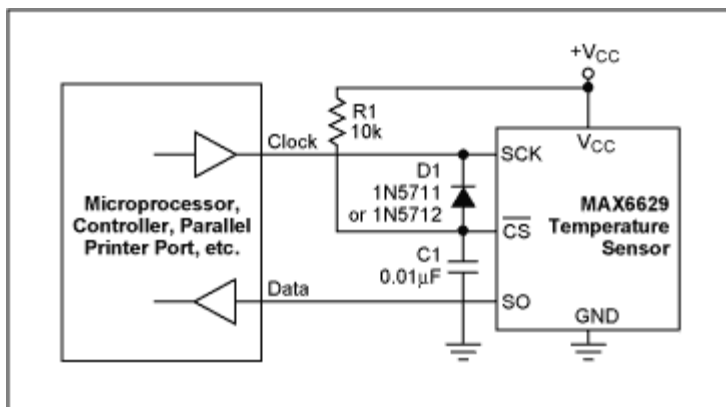


Figure 1. By eliminating the need for a logic line to the active-low CS input, this circuit allows you to simply clock temperature data from the sensor device.

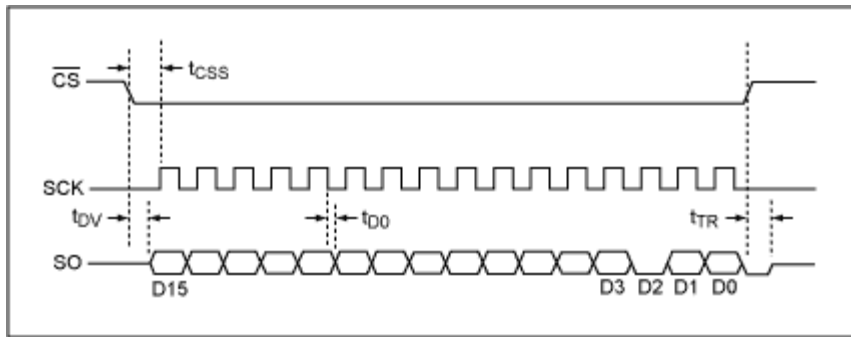


Figure 2. A serial-interface timing diagram for the Figure 1 temp sensor illustrates the function of active-low CS. It enables the interface when low, then suspends temperature-to-digital conversions until it returns to a level higher than  $0.7V_{CC}$ .

When SCK initially goes low, it pulls active-low CS low via the Schottky diode D1. You should set the R1-C1 time constant so the active-low CS line rises no higher than  $0.3V_{CC}$  between clock pulses (i.e., 1.5V for a 5V supply in Figure 1). An oscilloscope display (Figure 3) shows the slow rise time of active-low CS. To allow time for the sensor IC to perform its next temperature-to-digital conversion, active-low CS should remain above  $0.7V_{CC}$  (3.5V in Figure 1) for at least 0.5 seconds between temperature-read operations.

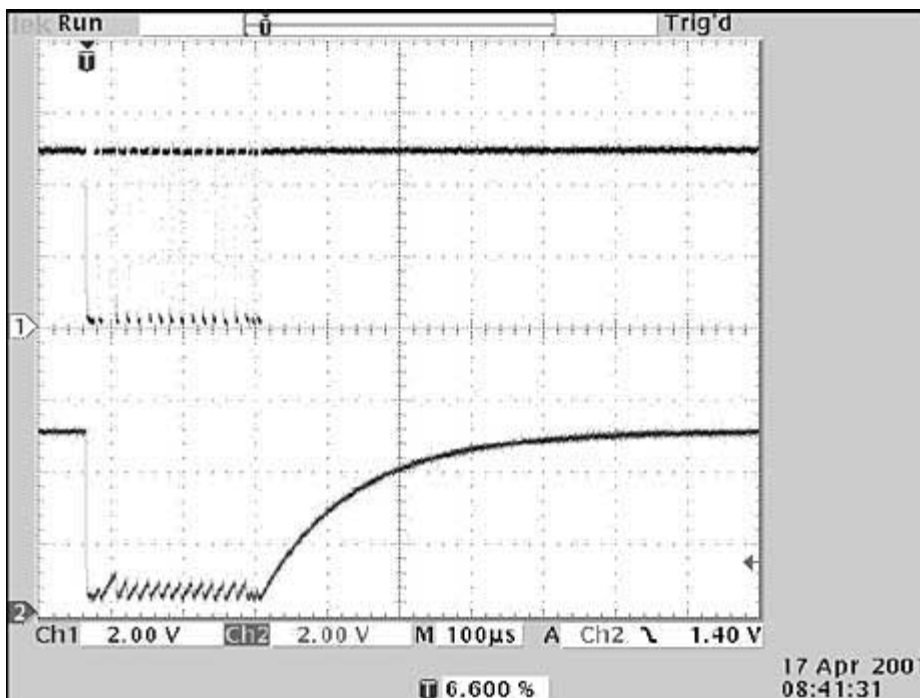


Figure 3. This scope display from Figure 1 shows how the presence of SCK pulses (top trace) generates a active-low CS signal (lower trace).

A similar version of this article appeared in the March 4, 2002 issue of *Electronic Design* magazine.

#### Related Parts

<a href="#">MAX6629</a>	12-Bit + Sign Digital Temperature Sensors with Serial Interface	<a href="#">Free Samples</a>
<a href="#">MAX6630</a>	12-Bit + Sign Digital Temperature Sensors with Serial Interface	<a href="#">Free Samples</a>
<a href="#">MAX6631</a>	12-Bit + Sign Digital Temperature Sensors with Serial Interface	<a href="#">Free Samples</a>
<a href="#">MAX6632</a>	12-Bit + Sign Digital Temperature Sensors with Serial Interface	<a href="#">Free Samples</a>

---

**More Information**

For Technical Support: <http://www.maximintegrated.com/support>

For Samples: <http://www.maximintegrated.com/samples>

Other Questions and Comments: <http://www.maximintegrated.com/contact>

---

Application Note 1139: <http://www.maximintegrated.com/an1139>

APPLICATION NOTE 1139, AN1139, AN 1139, APP1139, Appnote1139, Appnote 1139

Copyright © by Maxim Integrated Products

Additional Legal Notices: <http://www.maximintegrated.com/legal>