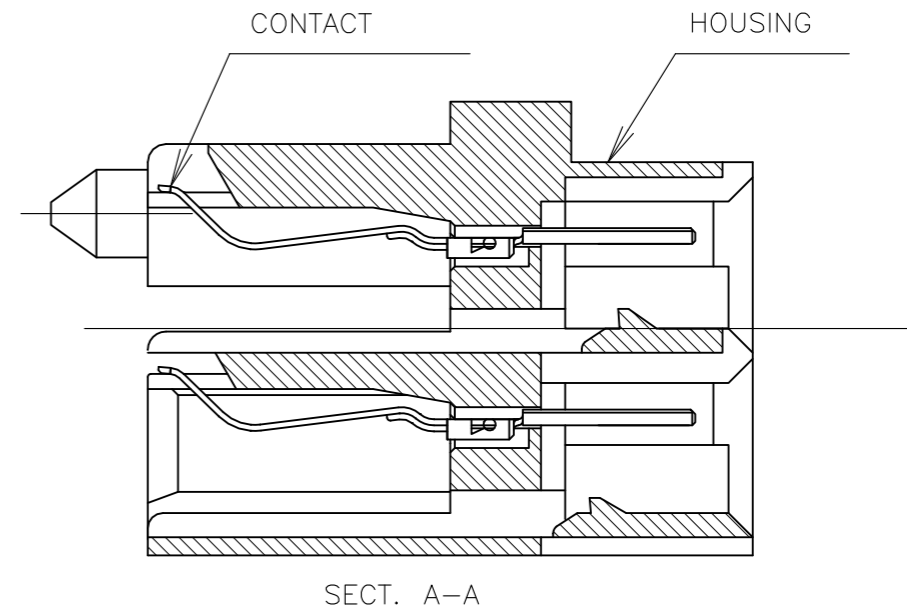
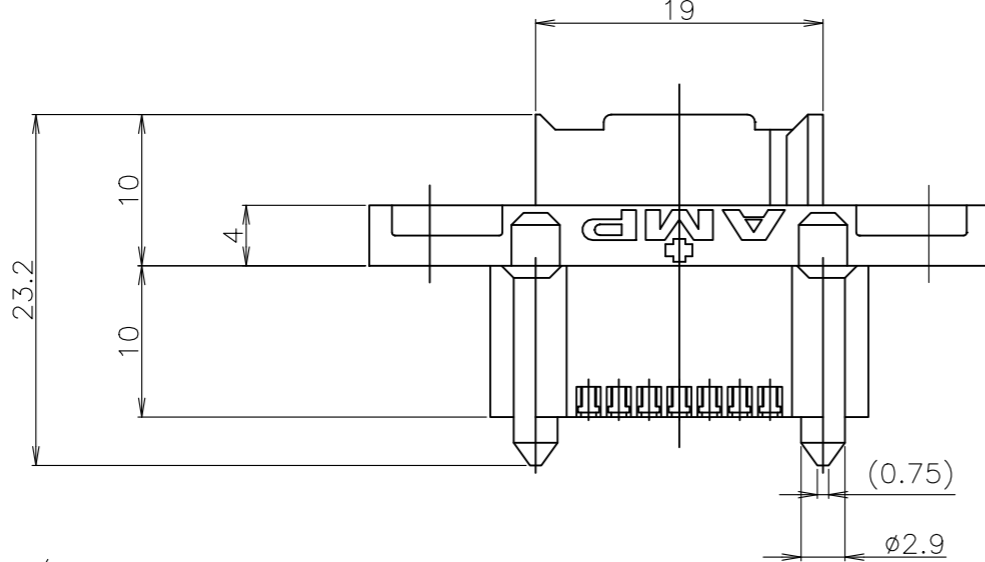
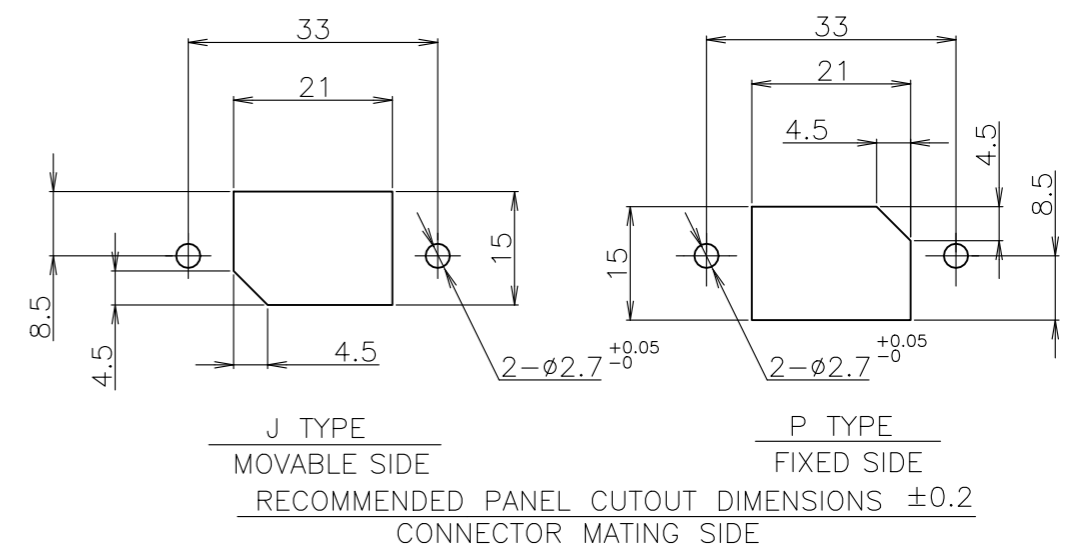
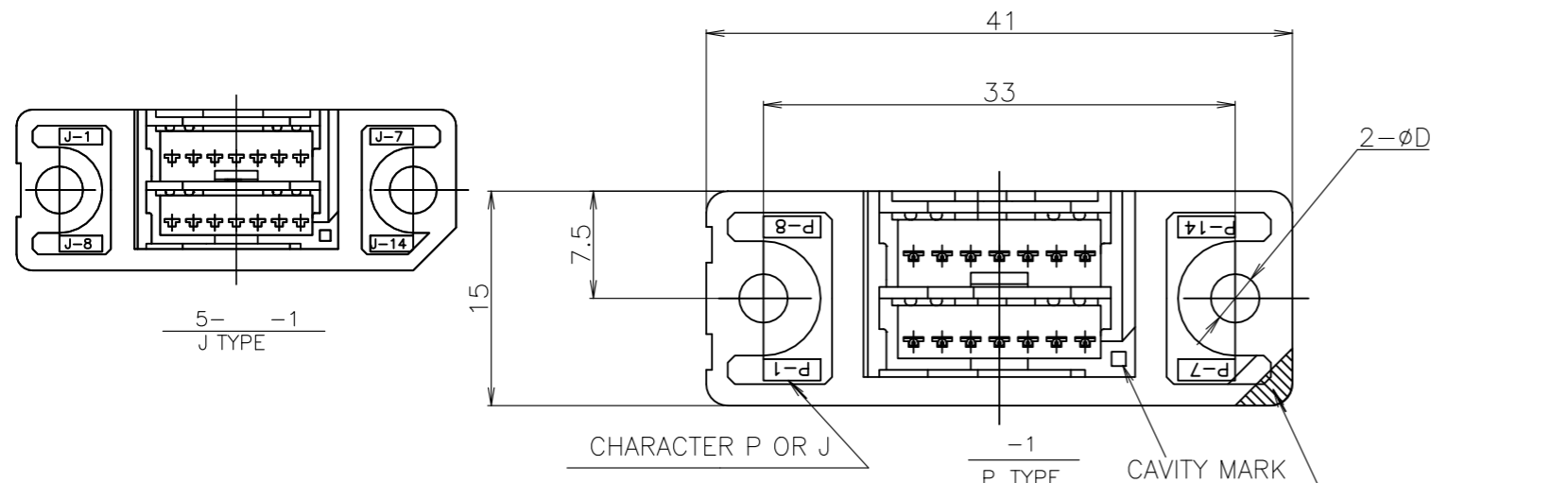
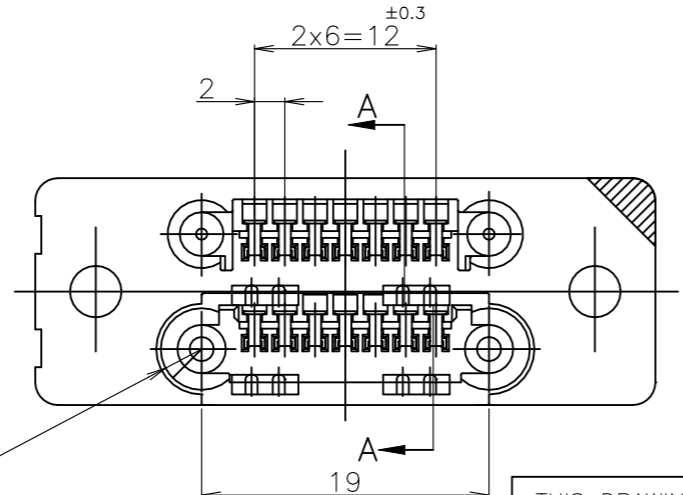


REVISIONS					
P	LTR	DESCRIPTION	DATE	DWN	APVD
A2		REVISED PER ECR-22-142516	13JUL2022	SSM	HMR



- NOTES:
- 1 APPLIED USE THRED P/N: 176848-1
 - 2 PRODUCT SPEC.: 108-60021
 - 3 MATERIAL:
HOUSING: THERMOPLASTIC UL94V-0(COLOR: SEE TABLE)
CONTACT: COPPER ALLOY
 - 4 FINISH:
CONTACT: NICKEL PL. ALL OVER
CONTACT AREA: GOLD PL.
POST AREA: MATTE TIN PL.
 - 5 THIS FLOATING ALLOWANCE USED TAPPING SCREW P/N: 176848-1



GRAY	LONGITUDINAL	0.6					
	LATERAL	1.0	CUT	4.4	↑	6-	↑ -1
BLACK	LONGITUDINAL	0.6					
	LATERAL	1.0	CUT	4.4	J	5-	-1
GRAY	LONGITUDINAL	#	#	3.4	↑	1-	-1
	LATERAL	#	#				
BLACK	LONGITUDINAL	#	#	3.4	P		292177-1
	LATERAL	#	#				
HOUSING COLOR	5	FLOATING ALLOWANCE	CORNER CUT	øD	TYPE		P/N

TOLERANCE	
10 ≥ *	: ±0.2
30 ≥ * > 10	: ±0.25
100 ≥ * > 30	: ±0.3
ANGLE	: ±3°

THIS DRAWING IS A CONTROLLED DOCUMENT.

DIMENSIONS: mm	TOLERANCES UNLESS OTHERWISE SPECIFIED:
	0 PLC ± -
	1 PLC ± -
	2 PLC ± -
	3 PLC ± -
	4 PLC ± -
	ANGLES ± -
MATERIAL SEE NOTE 3	FINISH SEE NOTE 4

DWN J.JIANG 05FEB03	TE Connectivity	NAME		
CHK S.YAO 05FEB03		14P MINI-DRAWER CONNECTOR		
APVD T.SASAKI 05FEB03		SIZE	CAGE CODE	DRAWING NO
PRODUCT SPEC 2		A3	00779	C-292177
APPLICATION SPEC	WEIGHT 0.000000	RESTRICTED TO		
CUSTOMER DRAWING		SCALE NTS	SHEET 1 OF 1	
		REV A2		