

4-CHANNEL HALF-DUPLEX M-LVDS LINE TRANSCEIVERS

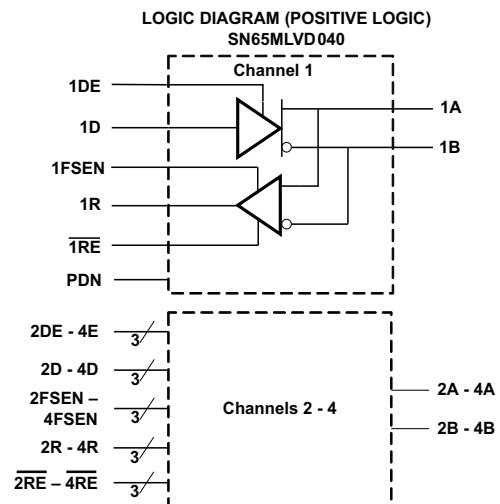
Check for Samples: [SN65MLVD040](#)

FEATURES

- Low-Voltage Differential 30-Ω to 55-Ω Line Drivers and Receivers for Signaling Rates⁽¹⁾ Up to 250 Mbps; Clock Frequencies Up to 125 MHz
- Meets or Exceeds the M-LVDS Standard TIA/EIA-899 for Multipoint Data Interchange
- Controlled Driver Output Voltage Transition Times for Improved Signal Quality
- –1 V to 3.4 V Common-Mode Voltage Range Allows Data Transfer With 2 V of Ground Noise
- Bus Pins High Impedance When Driver Disabled or $V_{CC} \leq 1.5$ V
- Independent Enables for each Driver and Receiver
- Enhanced ESD Protection: 7 kV HBM on all Pins
- 48 pin 7 X 7 QFN (RGZ)
- M-LVDS Bus Power Up/Down Glitch Free

APPLICATIONS

- Parallel Multipoint Data and Clock Transmission Via Backplanes and Cables
- Low-Power High-Speed Short-Reach Alternative to TIA/EIA-485
- Cellular Base Stations
- Central-Office Switches
- Network Switches and Routers⁽¹⁾



- (1) The signaling rate of a line, is the number of voltage transitions that are made per second expressed in the units bps (bits per second).

DESCRIPTION

The SN65MLVD040 provides four half-duplex transceivers for transmitting and receiving Multipoint-Low-Voltage Differential Signals in full compliance with the TIA/EIA-899 (M-LVDS) standard, which are optimized to operate at signaling rates up to 250 Mbps. The driver outputs have been designed to support multipoint buses presenting loads as low as 30-Ω and incorporates controlled transition times to allow for stubs off of the backplane transmission line.

The M-LVDS standard defines two types of receivers, designated as Type-1 and Type-2. Type-1 receivers have thresholds centered about zero with 25 mV of hysteresis to prevent output oscillations with loss of input; Type-2 receivers implement a failsafe by using an offset threshold. The xFSEN pins is used to select the Type-1 and Type-2 receiver for each of the channels. In addition, the driver rise and fall times are between 1 ns and 2 ns, complying with the M-LVDS standard to provide operation at 250 Mbps while also accommodating stubs on the bus. Receiver outputs are slew rate controlled to reduce EMI and crosstalk effects associated with large current surges. The M-LVDS standard allows for 32 nodes on the bus providing a high-speed replacement for RS-485 where lower common-mode can be tolerated or when higher signaling rates are needed.



Please be aware that an important notice concerning availability, standard warranty, and use in critical applications of Texas Instruments semiconductor products and disclaimers thereto appears at the end of this data sheet.

PowerPAD is a trademark of Texas Instruments.



These devices have limited built-in ESD protection. The leads should be shorted together or the device placed in conductive foam during storage or handling to prevent electrostatic damage to the MOS gates.

DESCRIPTION CONTINUED

The driver logic inputs and the receiver logic outputs are on separate pins rather than tied together as in some transceiver designs. The drivers have separate enables (DE) and so does the receivers (\overline{RE}). This arrangement of separate logic inputs, logic outputs, and enable pins allows for a listen-while-talking operation. The devices are characterized for operation from -40°C to 85°C .

Pin Functions

PIN		I/O	DESCRIPTION
NAME	NO.		
1D–4D	35, 32, 28, 25	I	Data inputs for drivers
1R–4R	36, 33, 29, 26	O	Data output for receivers
1A–4A	47, 3, 9, 13	Bus I/O	M-LVDS bus non-inverting input/output
1B–4B	48, 4, 10, 14	Bus I/O	M-LVDS bus inverting input/output
GND	6, 7, 18, 23, 27, 31, 34, 38, 43		Circuit ground. ALL GND pins must be connected to ground.
V _{CC}	2, 11, 15, 16, 24, 37, 45, 46		Supply voltage. ALL VCC pins must be connected to supply.
$\overline{1RE}$ – $\overline{4RE}$	40, 42, 19, 21	I	Receiver enable, active low, enable individual receivers. When this pin is left floating, internally this pin will be pulled to logic HIGH.
1DE–4DE	1, 5, 8, 12	I	Driver enable, active high, individual enables the drivers. When this pin is left floating, internally this pin will be pulled to logic LOW.
1FSEN–4FSEN	39, 41, 20, 22	I	Failsafe enable pin. When this pin is left floating, internally this pin will be pulled to logic HIGH. This pin enables the Type 2 receiver for the respective channel. xFSEN = L → Type 1 receiver inputs xFSEN = H → Type 2 receiver inputs
PDN	30	I	Power Down pin. When this pin is left floating, internally this pin will be pulled to logic LOW. When PDN is HIGH, the device is powered up. When PDN is LOW, the device overrides all other control and powers down. All outputs are Hi-Z.
NC	17		Not Connected
NC	44		Not Connected. Internal TI Test pin. This pin must be left unconnected.
PowerPAD™	–		Connected to GND

PIN ASSIGNMENTS

RGZ PACKAGE
(TOP VIEW)

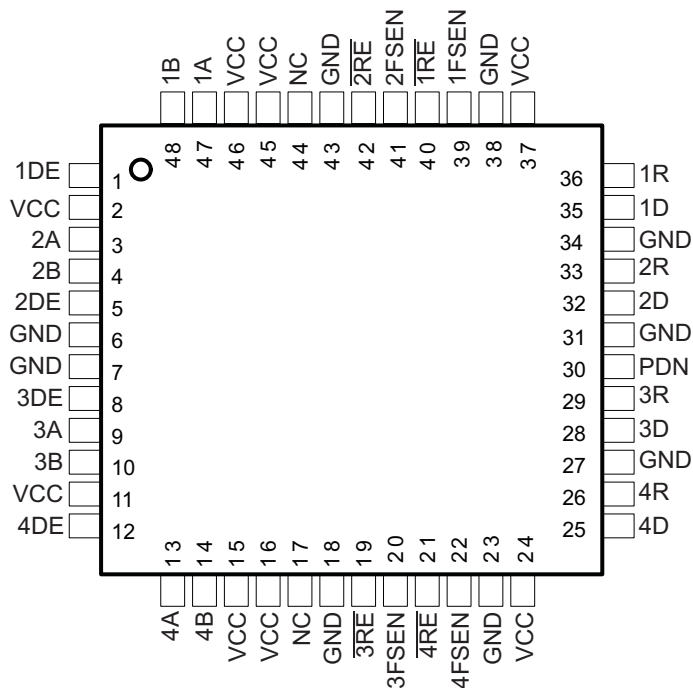


Table 1. Device Function Tables

RECEIVER						DRIVER			
INPUTS ⁽¹⁾				RECEIVER TYPE	OUTPUT ⁽¹⁾	INPUTS ⁽¹⁾		OUTPUTS ⁽¹⁾	
$V_{ID} = V_A - V_B$	PDN	FSEN	\overline{RE}		R	D	DE	A	B
$V_{ID} > 35 \text{ mV}$	H	L	L	Type 1	H	L	H	L	H
$-35 \text{ mV} \leq V_{ID} \leq 35 \text{ mV}$	H	L	L	Type 1	?	H	H	H	L
$V_{ID} < 35 \text{ mV}$	H	L	L	Type 1	L	OPEN	H	L	H
$V_{ID} > 135 \text{ mV}$	H	H	L	Type 2	H	X	OPEN	Z	Z
$65 \text{ mV} \leq V_{ID} \leq 135 \text{ mV}$	H	H	L	Type 2	?	X	L	Z	Z
$V_{ID} < 65 \text{ mV}$	H	H	L	Type 2	L				
Open Circuit	H	L	L	Type 1	?				
Open Circuit	H	H	L	Type 2	L				
X	H	X	H	X	Z				
X	H	X	OPEN	X	Z				
X	L	X	X	X	Z				

(1) H=high level, L=low level, Z=high impedance, X=Don't care, ?=indeterminate

ORDERING INFORMATION

PART NUMBER	RECEIVER TYPE	PACKAGE MARKING	PACKAGE/CARRIER
SN65MLVD040RGZR	Type 1, 2	MLVD040	48-Pin QFN/ Tape and Reeled
SN65MLVD040RGZT	Type 1, 2	MLVD040	48-Pin QFN/Small Tape and Reeled

PACKAGE DISSIPATION RATINGS

PACKAGE	PCB JEDEC STANDARD	$T_A \leq 25^\circ\text{C}$ POWER RATING	DERATING FACTOR ⁽¹⁾ ABOVE $T_A = 25^\circ\text{C}$	$T_A = 85^\circ\text{C}$ POWER RATING
RGZ	Low-K ⁽²⁾	1298 mW	12.98 mW/°C	519 mW
RGZ	High-K ⁽³⁾	3448 mW	34.48 mW/°C	1379 mW

- (1) This is the inverse of the junction-to-ambient thermal resistance when board mounted and with no air flow.
 (2) In accordance with the Low-K thermal metric definitions of EIA/JESD51-3.
 (3) In accordance with the High-K thermal metric definitions of EIA/JESD51-7.

THERMAL CHARACTERISTICS

PARAMETER		TEST CONDITIONS	MIN	TYP	MAX	UNIT
$R_{\theta JB}$	Junction-to-board thermal resistance			9		°C/W
$R_{\theta JC}$	Junction-to-case thermal resistance			20		°C/W
$R_{\theta JP}$	Junction-to-pad thermal resistance			1.37		°C/W
P_D	Device power dissipation (See typical curves for additional information)	\overline{RE} at 0 V, DE at 0 V, $C_L = 15$ pF, $V_{ID} = 400$ mW, 125 MHz, All others open			382	mW

ABSOLUTE MAXIMUM RATINGS

over operating free-air temperature range unless otherwise noted⁽¹⁾

			SN65MLVD040	
Supply voltage range ⁽²⁾ , V_{CC}			–0.5 V to 4 V	
Input voltage range	D, DE, \overline{RE} , FSEN		–0.5 V to 4 V	
	A, B		–1.8 V to 4 V	
Output voltage range	R		–0.3 V to 4 V	
	A, or B		–1.8 V to 4 V	
Electrostatic discharge	Human Body Model ⁽³⁾	All pins	±7 kV	
	Charged-Device Model ⁽⁴⁾	All pins	±1500 V	
Storage temperature range			–65°C to 150°C	

- (1) Stresses beyond those listed under *absolute maximum ratings* may cause permanent damage to the device. These are stress ratings only, and functional operation of the device at these or any other conditions beyond those indicated under *recommended operating conditions* is not implied. Exposure to absolute-maximum-rated conditions for extended periods may affect device reliability.
 (2) All voltage values, except differential I/O bus voltages, are with respect to network ground terminal.
 (3) Tested in accordance with JEDEC Standard 22, Test Method A114-E. Bus pin stressed with respect to a common connection of GND and V_{CC} .
 (4) Tested in accordance with JEDEC Standard 22, Test Method C101-D.

RECOMMENDED OPERATING CONDITIONS

		MIN	NOM	MAX	UNIT
V_{CC}	Supply voltage	3	3.3	3.6	V
V_{IH}	High-level input voltage	2		V_{CC}	V
V_{IL}	Low-level input voltage	GND		0.8	V
	Voltage at any bus terminal V_A or V_B	–1.4		3.8	V
$ V_{ID} $	Magnitude of differential input voltage	0.05		V_{CC}	V
T_A	Operating free-air temperature	–40		85	°C
	Maximum junction temperature			140	°C

DEVICE ELECTRICAL CHARACTERISTICS

over recommended operating conditions unless otherwise noted

PARAMETER		TEST CONDITIONS	MIN	TYP ⁽¹⁾	MAX	UNIT
I _{CC}	Driver only	\overline{RE} and DE at V _{CC} , R _L = 50 Ω, 125MHz, All others open			76	mA
	Both disabled	\overline{RE} at V _{CC} , DE at 0 V, R _L = No Load, 125MHz, All others open			10	
	Both enabled	\overline{RE} at 0 V, DE at V _{CC} , R _L = 50 Ω, C _L = 15 pF, All others open, 125MHz, No external RX stimulus			165	
	Receiver only	\overline{RE} at 0 V, DE at 0 V, C _L = 15 pF, V _{ID} = 400 mV, 125 MHz, All others open			100	
Power down	PDN = L				5	mA

(1) All typical values are at 25°C and with a 3.3-V supply voltage.

DRIVER ELECTRICAL CHARACTERISTICS

over recommended operating conditions unless otherwise noted

PARAMETER		TEST CONDITIONS	MIN ⁽¹⁾	TYP ⁽²⁾	MAX	UNIT
V _{AB}	Differential output voltage magnitude (A, B)	See Figure 2	480		650	mV
Δ V _{AB}	Change in differential output voltage magnitude between logic states (A, B)		-50		50	mV
V _{OS(SS)}	Steady-state common-mode output voltage (A, B)	See Figure 3	0.7		1.1	V
ΔV _{OS(SS)}	Change in steady-state common-mode output voltage between logic states (A, B)		-50		50	mV
V _{OS(PP)}	Peak-to-peak common-mode output voltage (A, B)				150	mV
V _{A(OC)}	Maximum steady-state open-circuit output voltage (A, B)	See Figure 7	0		2.4	V
V _{B(OC)}	Maximum steady-state open-circuit output voltage (A, B)		0		2.4	V
V _{P(H)}	Voltage overshoot, low-to-high level output (A, B)	See Figure 5			1.2 V _{SS}	V
V _{P(L)}	Voltage overshoot, high-to-low level output (A, B)		-0.2 V _{SS}			V
I _{IH}	High-level input current (D, DE)	V _{IH} = 2 V to V _{CC}			10	μA
I _{IL}	Low-level input current (D, DE)	V _{IL} = GND to 0.8 V			10	μA
I _{OS}	Differential short-circuit output current magnitude (A, B)	See Figure 4			24	mA
C _I	Input capacitance (D, DE)	V _I = 0.4 sin(30E6πt) + 0.5 V ⁽³⁾		5		pF

(1) The algebraic convention, in which the least positive (most negative) limit is designated as minimum is used in this data sheet.

(2) All typical values are at 25°C and with a 3.3-V supply voltage.

(3) HP4194A impedance analyzer (or equivalent)

RECEIVER ELECTRICAL CHARACTERISTICS

over recommended operating conditions unless otherwise noted

PARAMETER		TEST CONDITIONS	MIN	TYP ⁽¹⁾	MAX	UNIT	
V _{IT+}	Positive-going differential input voltage threshold (A, B)	Type 1			35	mV	
		Type 2			135		
V _{IT-}	Negative-going differential input voltage threshold (A, B)	Type 1	See Table 2 and Table 3	-35		mV	
		Type 2		65			
V _{HYS}	Differential input voltage hysteresis, (V _{IT+} – V _{IT-}) (A, B)	Type 1			25		mV
		Type 2			0		
V _{OH}	High-level output voltage (R)	I _{OH} = –8 mA	2.4			V	
V _{OL}	Low-level output voltage (R)	I _{OL} = 8 mA			0.4	V	
I _{IH}	High-level input current (\overline{RE})	V _{IH} = 2 V to V _{CC}	-10			μA	
I _{IL}	Low-level input current (\overline{RE})	V _{IL} = GND to 0.8 V	-10			μA	
I _{OZ}	High-impedance output current (R)	V _O = 0 V or V _{CC}	-10		15	μA	

(1) All typical values are at 25°C and with a 3.3-V supply voltage.

BUS INPUT AND OUTPUT ELECTRICAL CHARACTERISTICS

over recommended operating conditions unless otherwise noted

PARAMETER	TEST CONDITIONS		MIN	TYP ⁽¹⁾	MAX	UNIT
I _A	Receiver or transceiver with driver disabled input current	V _A = 3.8 V, V _B = 1.2 V			32	μA
		V _A = –1.4 V, V _B = 1.2 V	-32			
I _B	Receiver or transceiver with driver disabled input current	V _B = 3.8 V, V _A = 1.2 V			32	μA
		V _B = –1.4 V, V _A = 1.2 V	-32			
I _{AB}	Receiver or transceiver with driver disabled differential input current (I _A – I _B)	V _A = V _B , 1.4 ≤ V _A ≤ 3.8 V	-4		4	μA
I _{A(OFF)}	Receiver or transceiver power-off input current	V _A = 3.8 V, V _B = 1.2 V, 0 V ≤ V _{CC} ≤ 1.5 V			32	μA
		V _A = –1.4 V, V _B = 1.2 V, 0 V ≤ V _{CC} ≤ 1.5 V	-32			
I _{B(OFF)}	Receiver or transceiver power-off input current	V _B = 3.8 V, V _A = 1.2 V, 0 V ≤ V _{CC} ≤ 1.5 V			32	μA
		V _B = –1.4 V, V _A = 1.2 V, 0 V ≤ V _{CC} ≤ 1.5 V	-32			
I _{AB(OFF)}	Receiver input or transceiver power-off differential input current (I _{A(off)} – I _{B(off)})	V _A = V _B , 0 V ≤ V _{CC} ≤ 1.5 V, –1.4 ≤ V _A ≤ 3.8 V	-4		4	μA
C _A	Transceiver with driver disabled input capacitance	V _A = 0.4 sin(30E6πt) + 0.5 V ⁽²⁾ , V _B = 1.2 V		5		pF
C _B	Transceiver with driver disabled input capacitance	V _B = 0.4 sin(30E6πt) + 0.5 V ⁽²⁾ , V _A = 1.2 V		5		pF
C _{AB}	Transceiver with driver disabled differential input capacitance	V _{AB} = 0.4 sin(30E6πt)V ⁽²⁾			3	pF
C _{A/B}	Transceiver with driver disabled input capacitance balance, (C _A /C _B)		0.99		1.01	

(1) All typical values are at 25°C and with a 3.3-V supply voltage.

(2) HP4194A impedance analyzer (or equivalent)

DRIVER SWITCHING CHARACTERISTICS

over recommended operating conditions unless otherwise noted

PARAMETER	TEST CONDITIONS	MIN	TYP ⁽¹⁾	MAX	UNIT
t_{pLH}	Propagation delay time, low-to-high-level output	1.3	1.9	2.4	ns
t_{pHL}	Propagation delay time, high-to-low-level output	1.3	1.9	2.4	ns
t_r	Differential output signal rise time	See Figure 5		2	ns
t_f	Differential output signal fall time	See Figure 5		2.2	ns
$t_{sk(o)}$	Output skew	See Figure 5		200	ps
$t_{sk(p)}$	Pulse skew ($ t_{pHL} - t_{pLH} $)	See Figure 5		150	ps
$t_{sk(pp)}$	Part-to-part skew ⁽²⁾	See Figure 5		300	ps
$t_{jit(per)}$	Period jitter, rms (1 standard deviation) ⁽³⁾	All channels switching, 125 MHz clock input ⁽⁴⁾ , see Figure 8		2	ps
$t_{jit(c-c)}$	Cycle-to-cycle jitter, rms ⁽³⁾	All channels switching, 125 MHz clock input ⁽⁴⁾ , see Figure 8		9	ps
$t_{jit(det)}$	Deterministic jitter ⁽³⁾	All channels switching, 250 Mbps 2 ¹⁵ -1 PRBS input ⁽⁴⁾ , see Figure 8		290	ps
$t_{jit(r)}$	Random jitter ⁽³⁾	All channels switching, 250 Mbps 2 ¹⁵ -1 PRBS input ⁽⁴⁾ , see Figure 8		4	ps
t_{pZH}	Enable time, high-impedance-to-high-level output	See Figure 6		7	ns
t_{pZL}	Enable time, high-impedance-to-low-level output	See Figure 6		7	ns
t_{pHZ}	Disable time, high-level-to-high-impedance output	See Figure 6		7	ns
t_{pLZ}	Disable time, low-level-to-high-impedance output	See Figure 6		7	ns

(1) All typical values are at 25°C and with a 3.3-V supply voltage.

(2) $t_{sk(pp)}$ is the magnitude of the time difference in propagation delay times between any specified terminals of two devices when both devices operate with the same supply voltages, at the same temperature, and have identical packages and test circuits.

(3) Jitter is ensured by design and characterization. Stimulus jitter has been subtracted from the numbers.

(4) $t_r = t_f = 0.5$ ns (10% to 90%)

RECEIVER SWITCHING CHARACTERISTICS

over recommended operating conditions unless otherwise noted

PARAMETER		TEST CONDITIONS	MIN	TYP ⁽¹⁾	MAX	UNIT	
t_{pLH}	Propagation delay time, low-to-high-level output	$C_L = 15$ pF, See Figure 10	2.5	4.5	6	ns	
t_{pHL}	Propagation delay time, high-to-low-level output		2.5	4.5	6	ns	
t_r	Output signal rise time		1.4		2.35	ns	
t_f	Output signal fall time		1.4		2.35	ns	
$t_{sk(o)}$	Output skew				350	ps	
$t_{sk(p)}$	Pulse skew ($t_{pHL} - t_{pLH}$)		Type 1		35	210	ps
			Type 2		150	470	
$t_{sk(pp)}$	Part-to-part skew ⁽²⁾				800	ps	
$t_{jit(per)}$	Period jitter, rms (1 standard deviation) ⁽³⁾		All channels switching, 125 MHz clock input ⁽⁴⁾ , See Figure 12			6	ps
$t_{jit(c-c)}$	Cycle-to-cycle jitter, rms ⁽³⁾					13	ps
$t_{jit(det)}$	Deterministic jitter ⁽³⁾	Type 1			800	ps	
		Type 2	All channels switching, 250 Mbps $2^{15}-1$ PRBS input ⁽⁴⁾ , See Figure 12			945	ps
$t_{jit(r)}$	Random jitter ⁽³⁾	Type 1				9	ps
		Type 2				8	ps
t_{pZH}	Enable time, high-impedance-to-high-level output	$C_L = 15$ pF, See Figure 11				15	ns
t_{pZL}	Enable time, high-impedance-to-low-level output				15	ns	
t_{pHZ}	Disable time, high-level-to-high-impedance output				10	ns	
t_{pLZ}	Disable time, low-level-to-high-impedance output				10	ns	

(1) All typical values are at 25°C and with a 3.3-V supply voltage.

 (2) $t_{sk(pp)}$ is the magnitude of the time difference in propagation delay times between any specified terminals of two devices when both devices operate with the same supply voltages, at the same temperature, and have identical packages and test circuits.

(3) Jitter is ensured by design and characterization. Stimulus jitter has been subtracted from the numbers.

 (4) $t_r = t_f = 0.5$ ns (10% to 90%)

PARAMETER MEASUREMENT INFORMATION

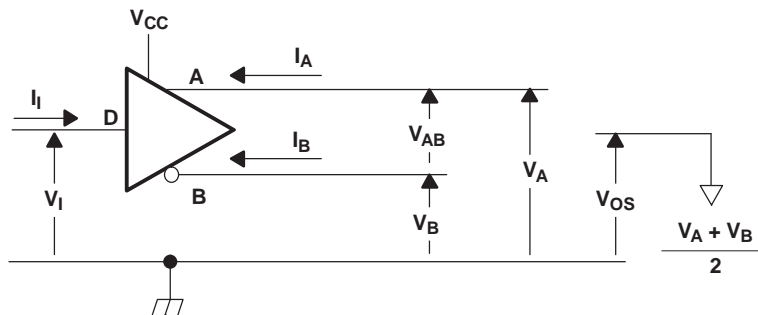
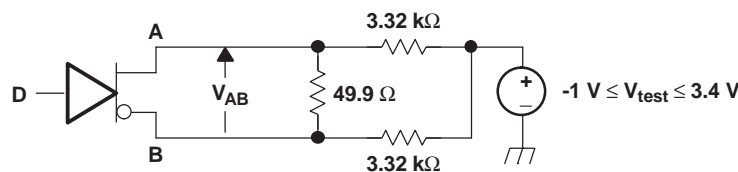
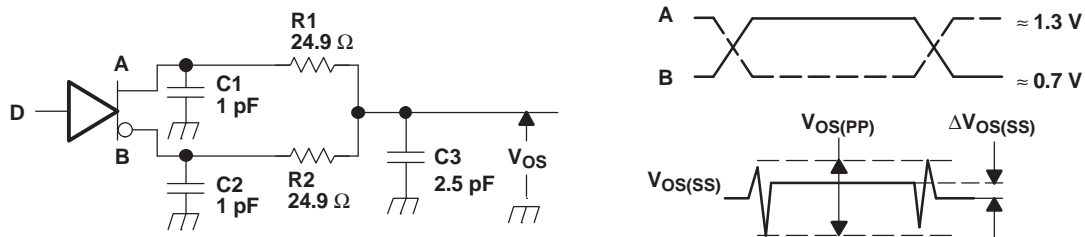


Figure 1. Driver Voltage and Current Definitions



NOTE: All resistors are 1% tolerance.

Figure 2. Differential Output Voltage Test Circuit



- A. All input pulses are supplied by a generator having the following characteristics: t_r or $t_f \leq 1$ ns, pulse frequency = 1 MHz, duty cycle = $50 \pm 5\%$.
- B. C1, C2 and C3 include instrumentation and fixture capacitance within 2 cm of the D.U.T. and are $\pm 20\%$.
- C. R1 and R2 are metal film, surface mount, $\pm 1\%$, and located within 2 cm of the D.U.T.
- D. The measurement of $V_{OS(PP)}$ is made on test equipment with a -3 dB bandwidth of at least 1 GHz.

Figure 3. Test Circuit and Definitions for the Driver Common-Mode Output Voltage

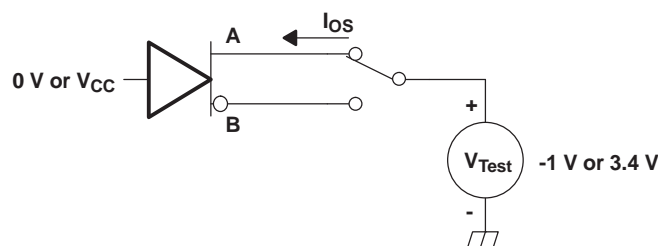
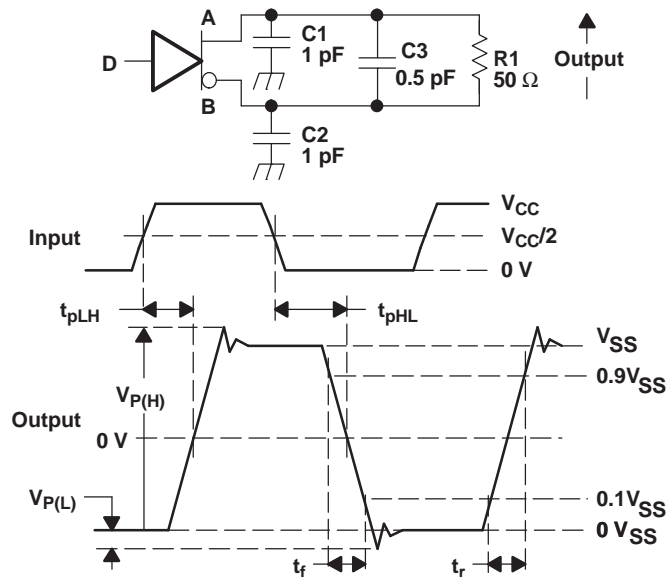


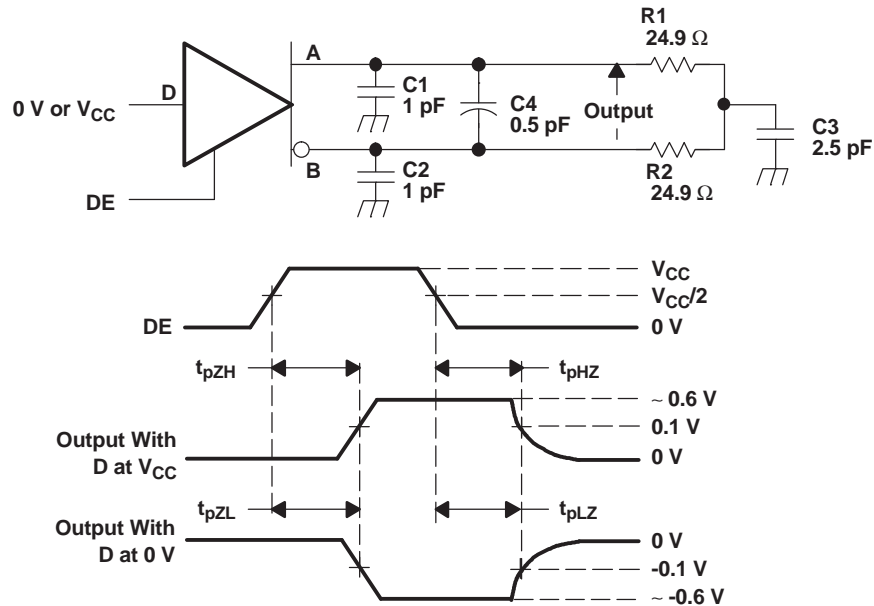
Figure 4. Driver Short-Circuit Test Circuit

PARAMETER MEASUREMENT INFORMATION (continued)



- A. All input pulses are supplied by a generator having the following characteristics: t_r or $t_f \leq 1$ ns, frequency = 1 MHz, duty cycle = $50 \pm 5\%$.
- B. C1, C2, and C3 include instrumentation and fixture capacitance within 2 cm of the D.U.T. and are $\pm 20\%$.
- C. R1 is a metal film, surface mount, and 1% tolerance and located within 2 cm of the D.U.T.
- D. The measurement is made on test equipment with a -3 dB bandwidth of at least 1 GHz.

Figure 5. Driver Test Circuit, Timing, and Voltage Definitions for the Differential Output Signal



- A. All input pulses are supplied by a generator having the following characteristics: t_r or $t_f \leq 1$ ns, frequency = 1 MHz, duty cycle = $50 \pm 5\%$.
- B. C1, C2, C3, and C4 includes instrumentation and fixture capacitance within 2 cm of the D.U.T. and are $\pm 20\%$.
- C. R1 and R2 are metal film, surface mount, and 1% tolerance and located within 2 cm of the D.U.T.
- D. The measurement is made on test equipment with a -3 dB bandwidth of at least 1 GHz.

Figure 6. Driver Enable and Disable Time Circuit and Definitions

PARAMETER MEASUREMENT INFORMATION (continued)

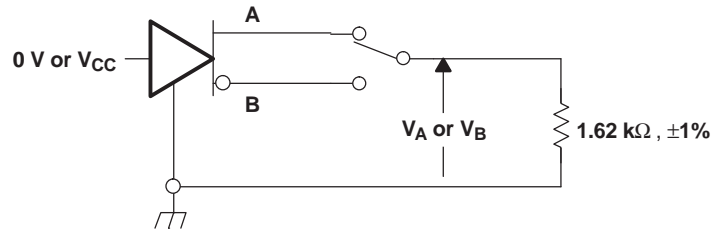
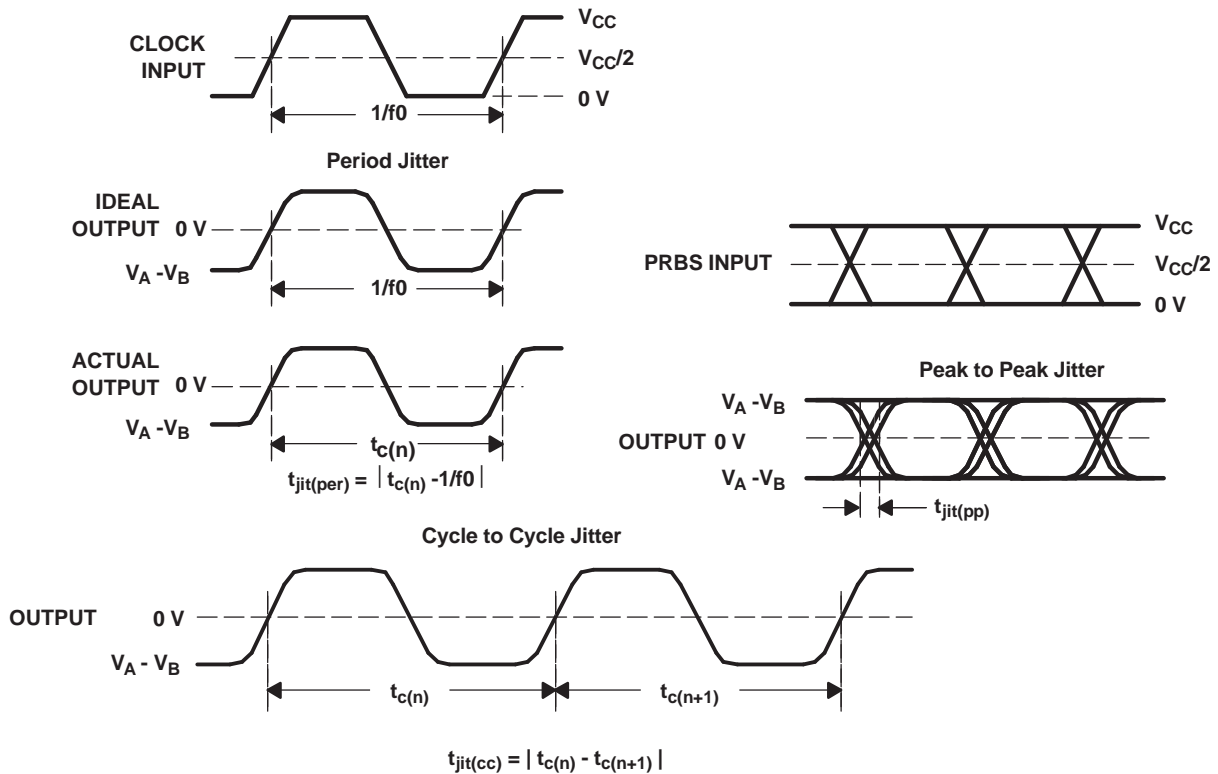


Figure 7. Maximum Steady State Output Voltage



- A. All input pulses are supplied by the Agilent 81250 Parallel BERT Stimulus System with plug-in E4832A.
- B. The cycle-to-cycle measurement is made on a TEK TDS6604 running TDSJIT3 application software.
- C. All other jitter measurements are made with an Agilent Infiniium DCA-J 86100C Digital Communications Analyzer.
- D. Period jitter and cycle-to-cycle jitter are measured using a 125 MHz 50 ±1% duty cycle clock input. Measured over 75K samples.
- E. Deterministic jitter and random jitter are measured using a 250 Mbps 2¹⁵-1 PRBS input. Measured over BER = 10⁻¹²

Figure 8. Driver Jitter Measurement Waveforms

PARAMETER MEASUREMENT INFORMATION (continued)

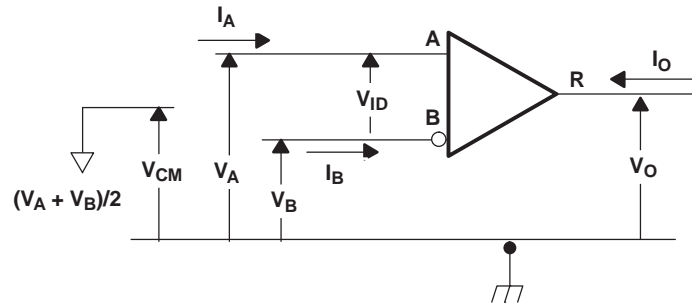


Figure 9. Receiver Voltage and Current Definitions

Table 2. Type-1 Receiver Input Threshold Test Voltages

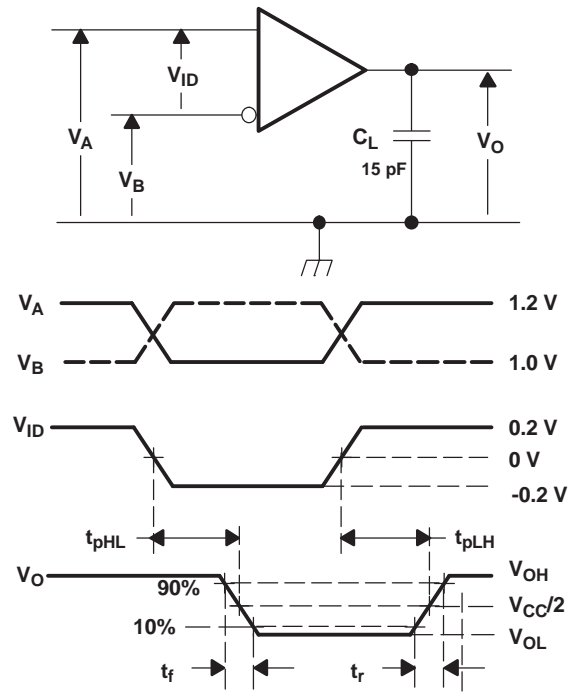
APPLIED VOLTAGES		RESULTING DIFFERENTIAL INPUT VOLTAGE	RESULTING COMMON-MODE INPUT VOLTAGE	RECEIVER OUTPUT ⁽¹⁾
V_{IA}	V_{IB}	V_{ID}	V_{IC}	
2.400	0.000	2.400	1.200	H
0.000	2.400	-2.400	1.200	L
3.400	3.365	0.035	3.3825	H
3.365	3.400	-0.035	3.3825	L
-0.965	-1	0.035	-0.9825	H
-1	-0.965	-0.035	-0.9825	L

(1) H= high level, L = low level, output state assumes receiver is enabled ($\overline{RE} = L$)

Table 3. Type-2 Receiver Input Threshold Test Voltages

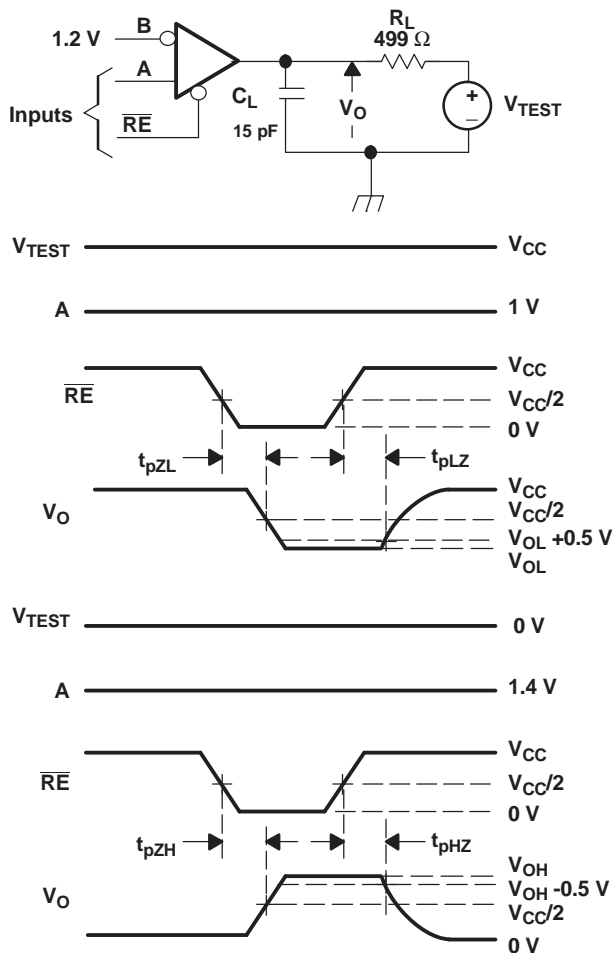
APPLIED VOLTAGES		RESULTING DIFFERENTIAL INPUT VOLTAGE	RESULTING COMMON-MODE INPUT VOLTAGE	RECEIVER OUTPUT ⁽¹⁾
V_{IA}	V_{IB}	V_{ID}	V_{IC}	
2.400	0.000	2.400	1.200	H
0.000	2.400	-2.400	1.200	L
3.400	3.265	0.135	3.3325	H
3.4000	3.335	0.065	3.3675	L
-0.865	-1	0.135	-0.9325	H
-0.935	-1	0.065	-0.9675	L

(1) H= high level, L = low level, output state assumes receiver is enabled ($\overline{RE} = L$)



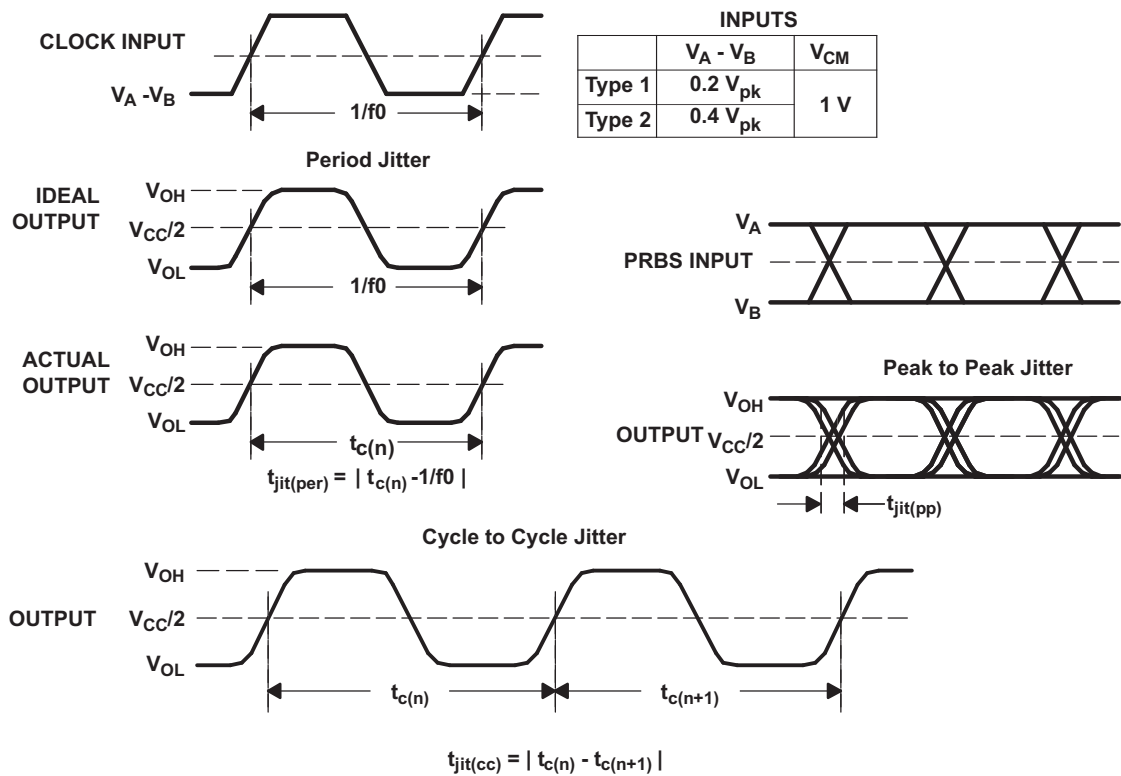
- A. All input pulses are supplied by a generator having the following characteristics: t_r or $t_f \leq 1 \text{ ns}$, frequency = 1 MHz, duty cycle = $50 \pm 5\%$. C_L is a combination of a 20%-tolerance, low-loss ceramic, surface-mount capacitor and fixture capacitance within 2 cm of the D.U.T.
- B. The measurement is made on test equipment with a -3 dB bandwidth of at least 1 GHz.

Figure 10. Receiver Timing Test Circuit and Waveforms



- A. All input pulses are supplied by a generator having the following characteristics: t_r or $t_f \leq 1$ ns, frequency = 1 MHz, duty cycle = $50 \pm 5\%$.
- B. R_L is 1% tolerance, metal film, surface mount, and located within 2 cm of the D.U.T.
- C. C_L is the instrumentation and fixture capacitance within 2 cm of the DUT and $\pm 20\%$. The measurement is made on test equipment with a -3 dB bandwidth of at least 1 GHz.

Figure 11. Receiver Enable/Disable Time Test Circuit and Waveforms



- All input pulses are supplied by the Agilent 81250 Parallel BERT Stimulus System with plug-in E4832A.
- The cycle-to-cycle measurement is made on a TEK TDS6604 running TDSJIT3 application software.
- All other jitter measurements are made with an Agilent Infiniium DCA-J 86100C Digital Communications Analyzer.
- Period jitter and cycle-to-cycle jitter are measured using a 125 MHz 50 \pm 1% duty cycle clock input. Measured over 75K samples.
- Deterministic jitter and random jitter are measured using a 250 Mbps $2^{15}-1$ PRBS input. Measured over BER = 10^{-12}

Figure 12. Receiver Jitter Measurement Waveforms

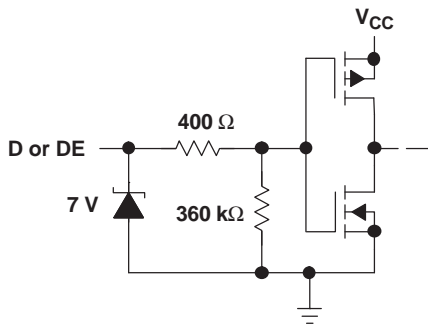
SN65MLVD040

SLLS902 – FEBRUARY 2010

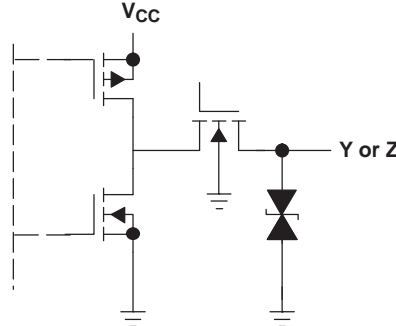
www.ti.com

EQUIVALENT INPUT AND OUTPUT SCHEMATIC DIAGRAMS

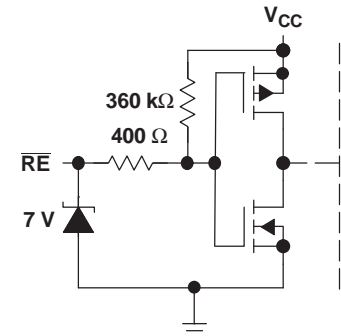
DRIVER INPUT AND DRIVER ENABLE



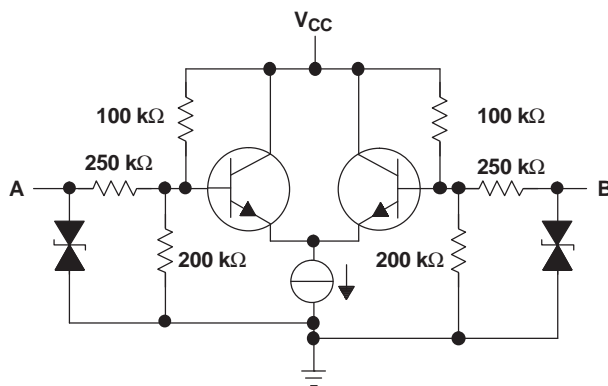
DRIVER OUTPUT



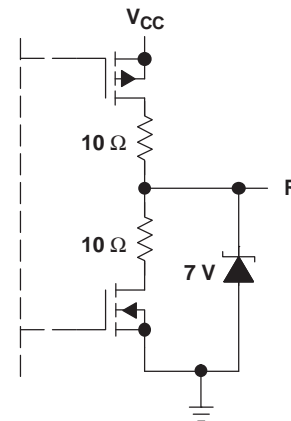
RECEIVER ENABLE



RECEIVER INPUT



RECEIVER OUTPUT



TYPICAL CHARACTERISTICS

SUPPLY CURRENT vs FREQUENCY

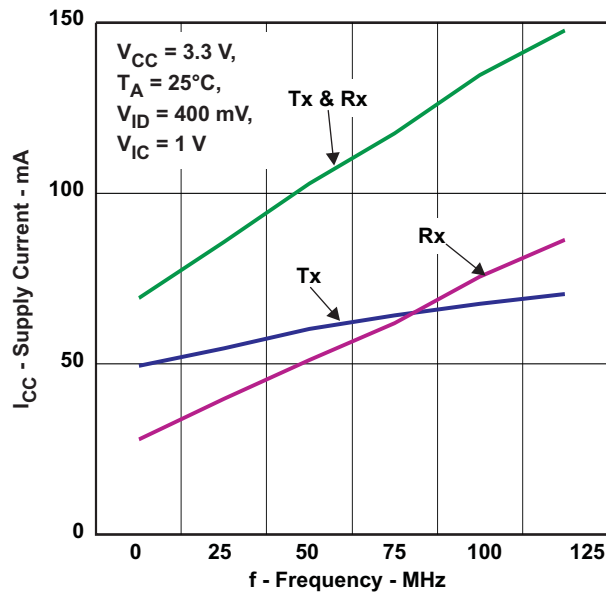


Figure 13.

SUPPLY CURRENT vs FREE-AIR TEMPERATURE

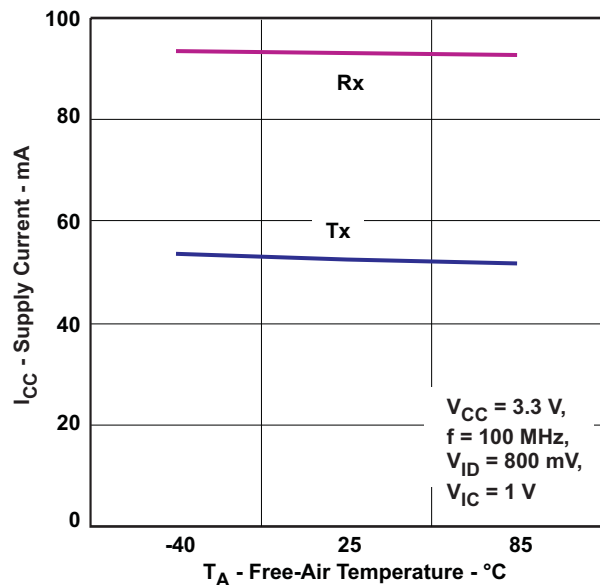


Figure 14.

TYPICAL CHARACTERISTICS (continued)

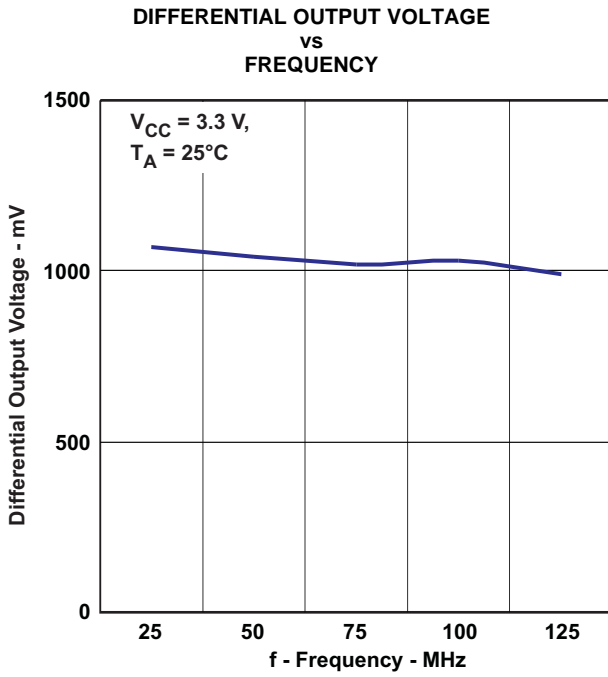


Figure 15.

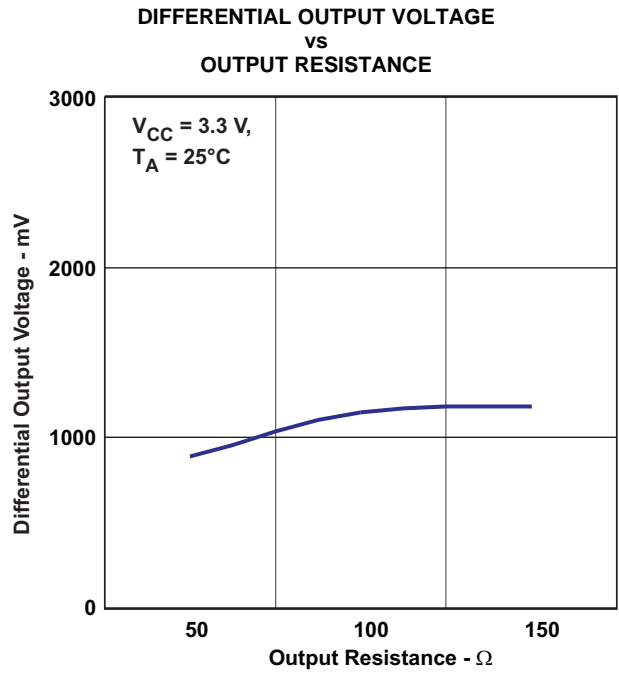


Figure 16.

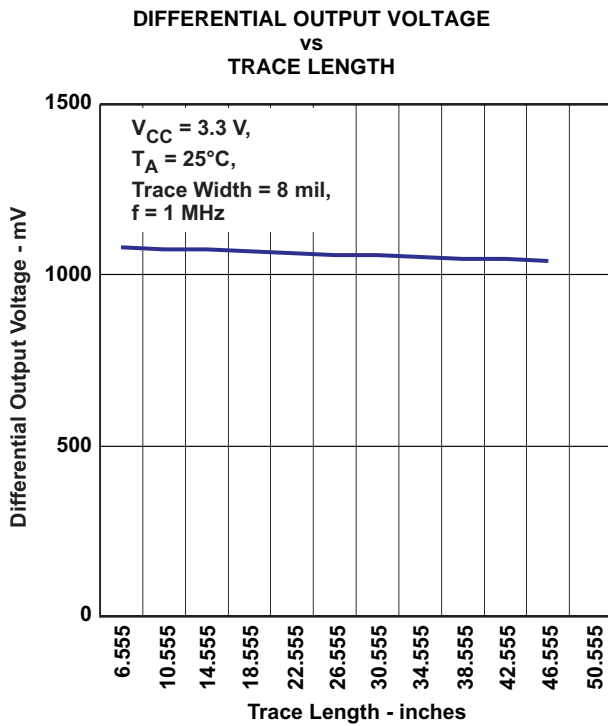


Figure 17.

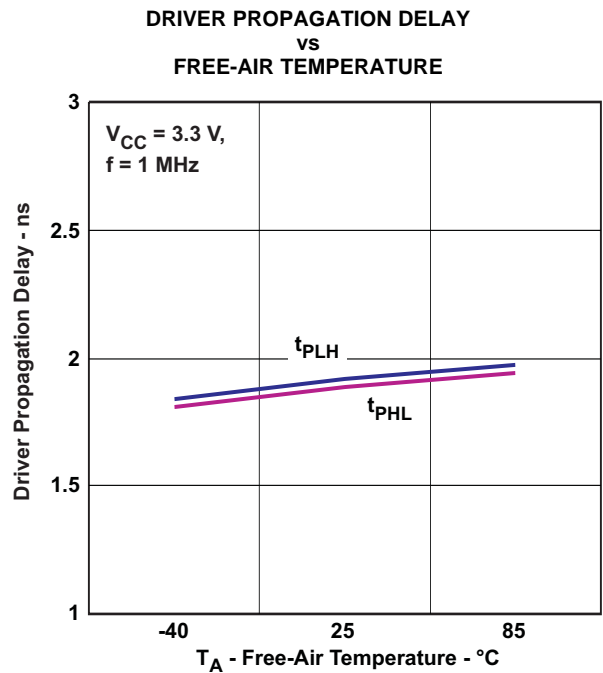


Figure 18.

TYPICAL CHARACTERISTICS (continued)

RECEIVER TYPE-1 PROPAGATION DELAY
VS
FREE-AIR TEMPERATURE

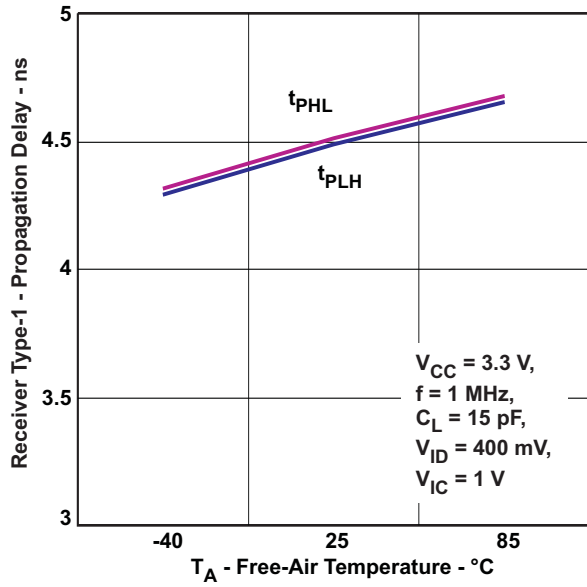


Figure 19.

RECEIVER TYPE-2 PROPAGATION DELAY
VS
FREE-AIR TEMPERATURE

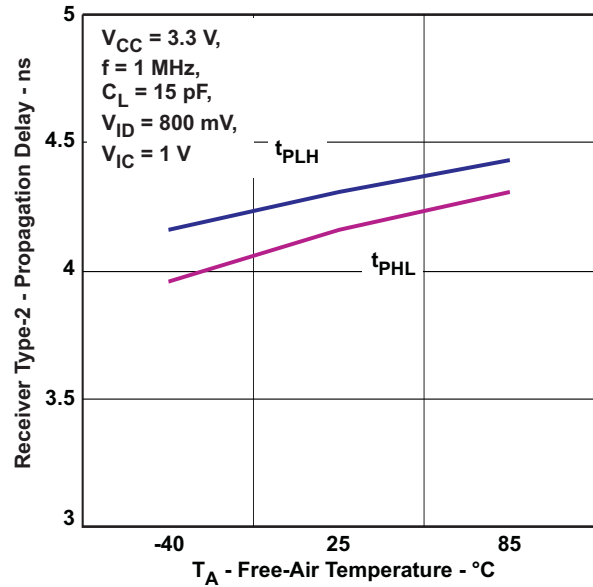


Figure 20.

DRIVER TRANSITION TIME
VS
FREE-AIR TEMPERATURE

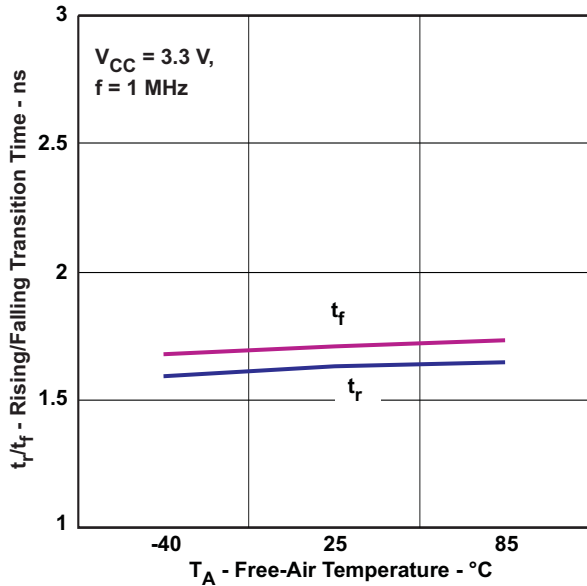


Figure 21.

TYPE-1 RECEIVER TRANSITION TIME
VS
FREE-AIR TEMPERATURE

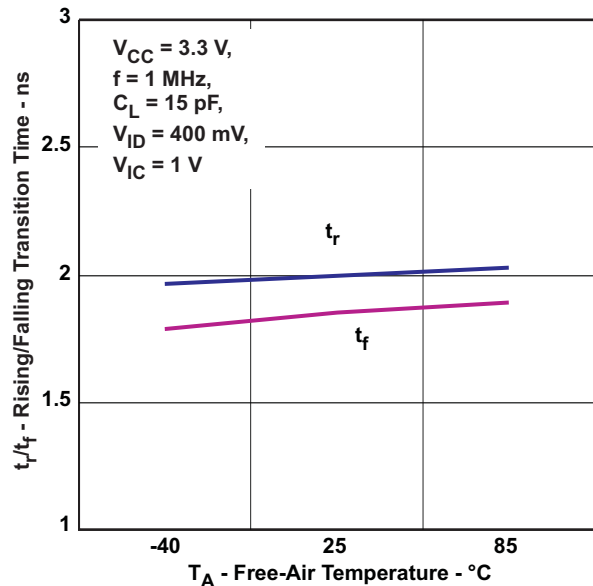


Figure 22.

TYPICAL CHARACTERISTICS (continued)

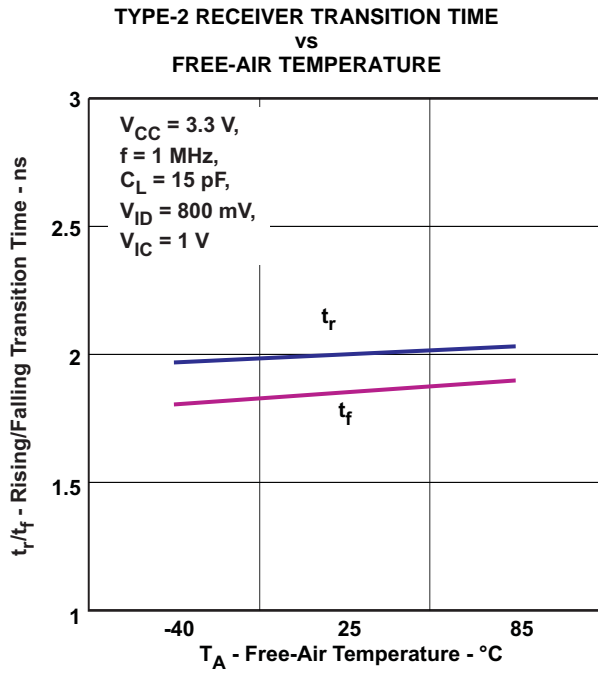


Figure 23.

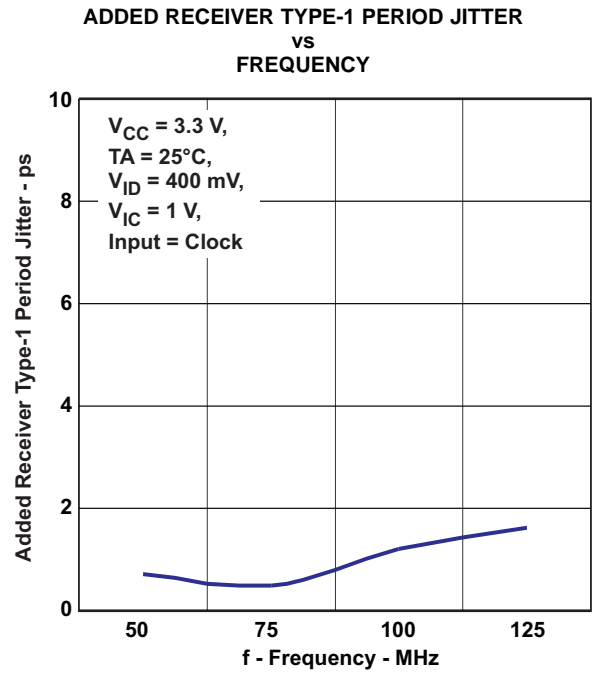


Figure 24.

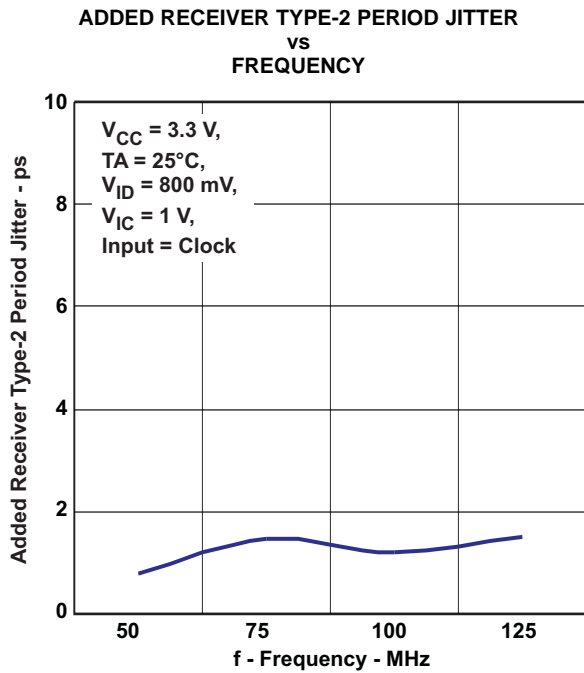


Figure 25.

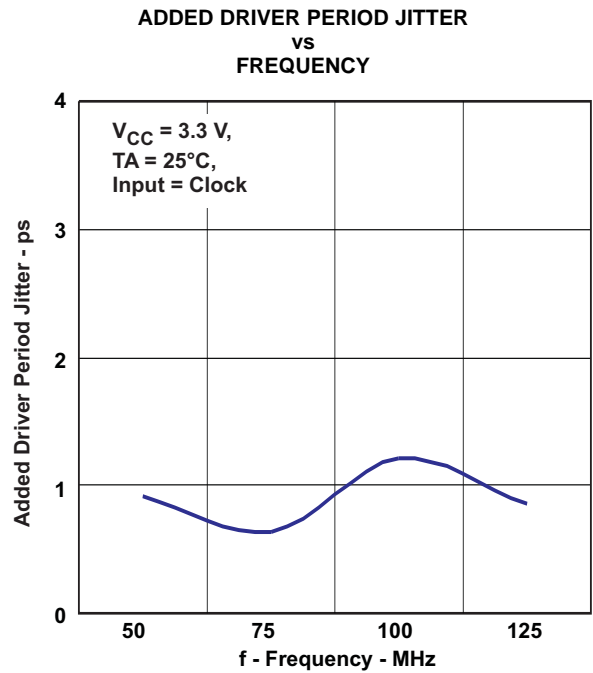


Figure 26.

TYPICAL CHARACTERISTICS (continued)

ADDED RECEIVER TYPE-1 CYCLE-TO-CYCLE JITTER
VS
FREQUENCY

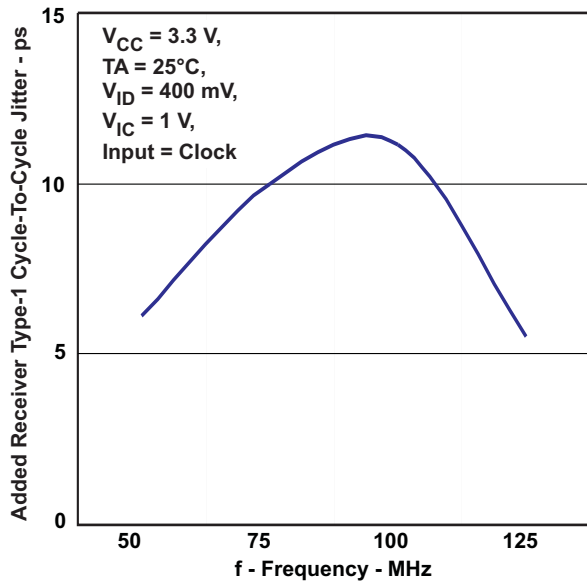


Figure 27.

ADDED RECEIVER TYPE-2 CYCLE-TO-CYCLE JITTER
VS
FREQUENCY

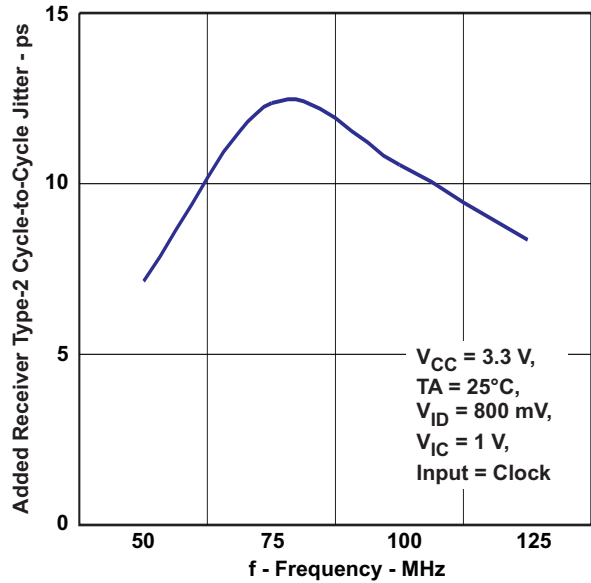


Figure 28.

ADDED DRIVER CYCLE-TO-CYCLE JITTER
VS
FREQUENCY

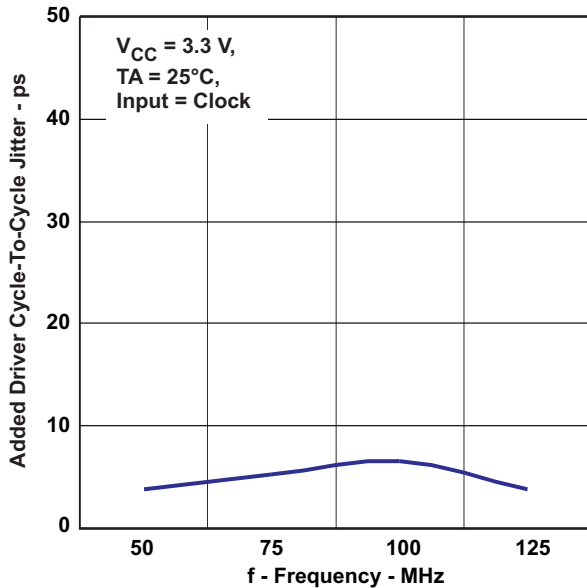


Figure 29.

ADDED RECEIVER TYPE-1 DETERMINISTIC JITTER
VS
DATA RATE

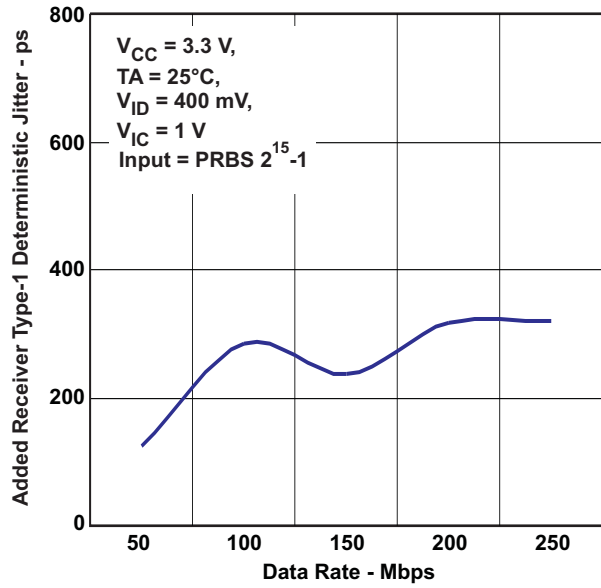


Figure 30.

TYPICAL CHARACTERISTICS (continued)

ADDED RECEIVER TYPE-2 DETERMINISTIC JITTER
VS
DATA RATE

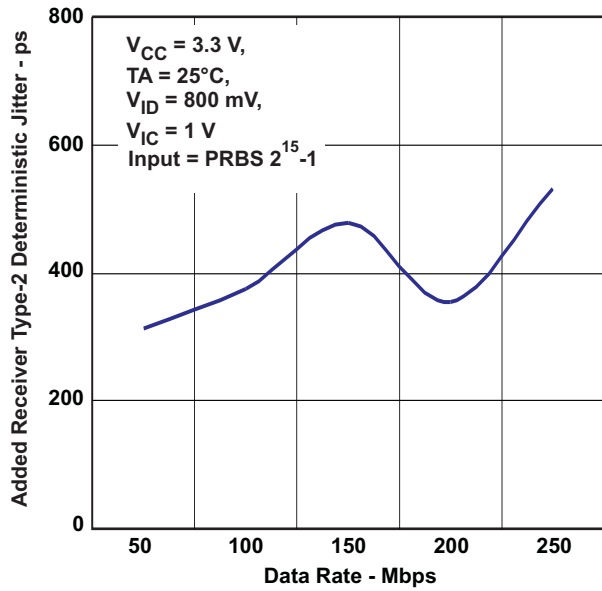


Figure 31.

DRIVER OUTPUT EYE PATTERN
250 Mbps, 2¹⁵-1 PRBS, V_{CC} = 3.3 V

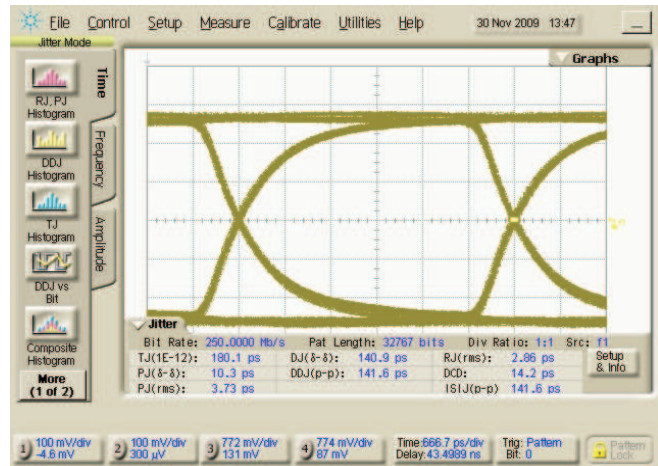


Figure 32.

RECEIVER OUTPUT EYE PATTERN
250 Mbps, 2¹⁵-1 PRBS, V_{CC} = 3.3 V
|V_{ID}| = 400 mV_{PP}, V_{IC} = 1 V

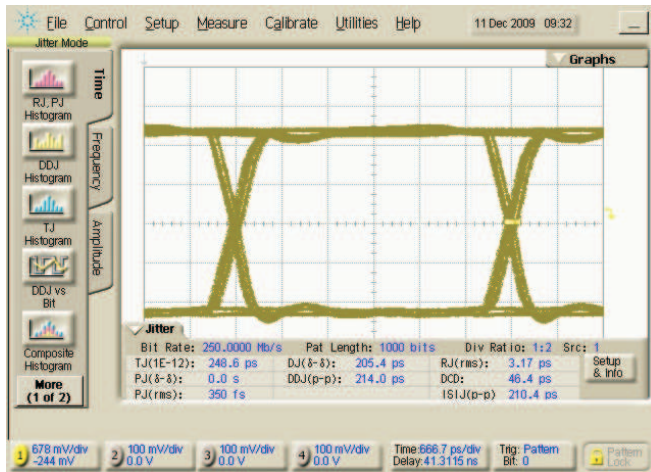


Figure 33.

RECEIVER OUTPUT EYE PATTERN
250 Mbps, 2¹⁵-1 PRBS, V_{CC} = 3.3 V
|V_{ID}| = 800 mV_{PP}, V_{IC} = 1 V

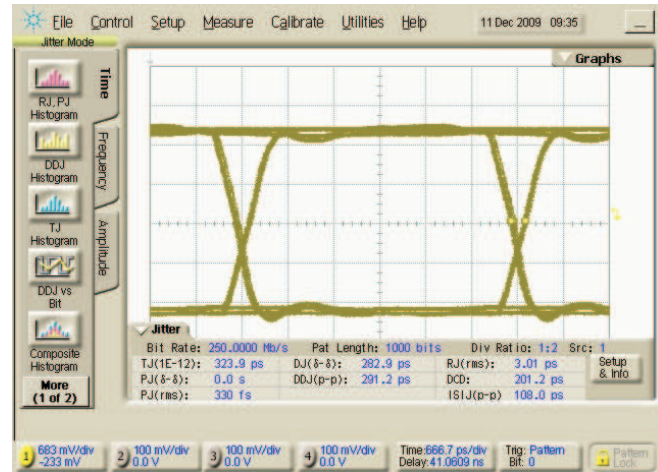


Figure 34.

APPLICATION INFORMATION

Source Synchronous System Clock (SSSC)

There are two approaches to transmit data in a synchronous system: centralized synchronous system clock (CSSC) and source synchronous system clock (SSSC). CSSC systems synchronize data transmission between different modules using a clock signal from a centralized source. The key requirement for a CSSC system is for data transmission and reception to complete during a single clock cycle. The maximum operating frequency is the inverse of the shortest clock cycle for which valid data transmission and reception can be ensured. SSSC systems achieve higher operating frequencies by sending clock and data signals together to eliminate the flight time on the transmission media, backplane, or cables. In SSSC systems, the maximum operating frequency is limited by the cumulated skews that can exist between clock and data. The absolute flight time of data on the backplane does not provide a limitation on the operating frequency as it does with CSSC.

The SN65MLVD082 can be designed for interfacing the data and clock to support source synchronous system clock (SSSC) operation. It is specified for transmitting data up to 250 Mbps and clock frequencies up to 125 MHz. Figure 35 shows an example of a SSSC architecture supported by M-LVDS transceivers. The SN65MLVD206, a single channel transceiver, transmits the main system clock between modules. A retiming unit is then applied to the main system clock to generate a local clock for subsystem synchronization processing. System operating data (or control) and subsystem clock signals are generated from the data processing unit, such as a microprocessor, FPGA, or ASIC, on module 1, and sent to slave modules through the SN65MLVD082. Such design configurations are common while transmitting parallel control data over the backplane with a higher SSSC subsystem clock frequency. The subsystem clock frequency is aligned with the operating frequencies of the data processing unit to synchronize data transmission between different units.

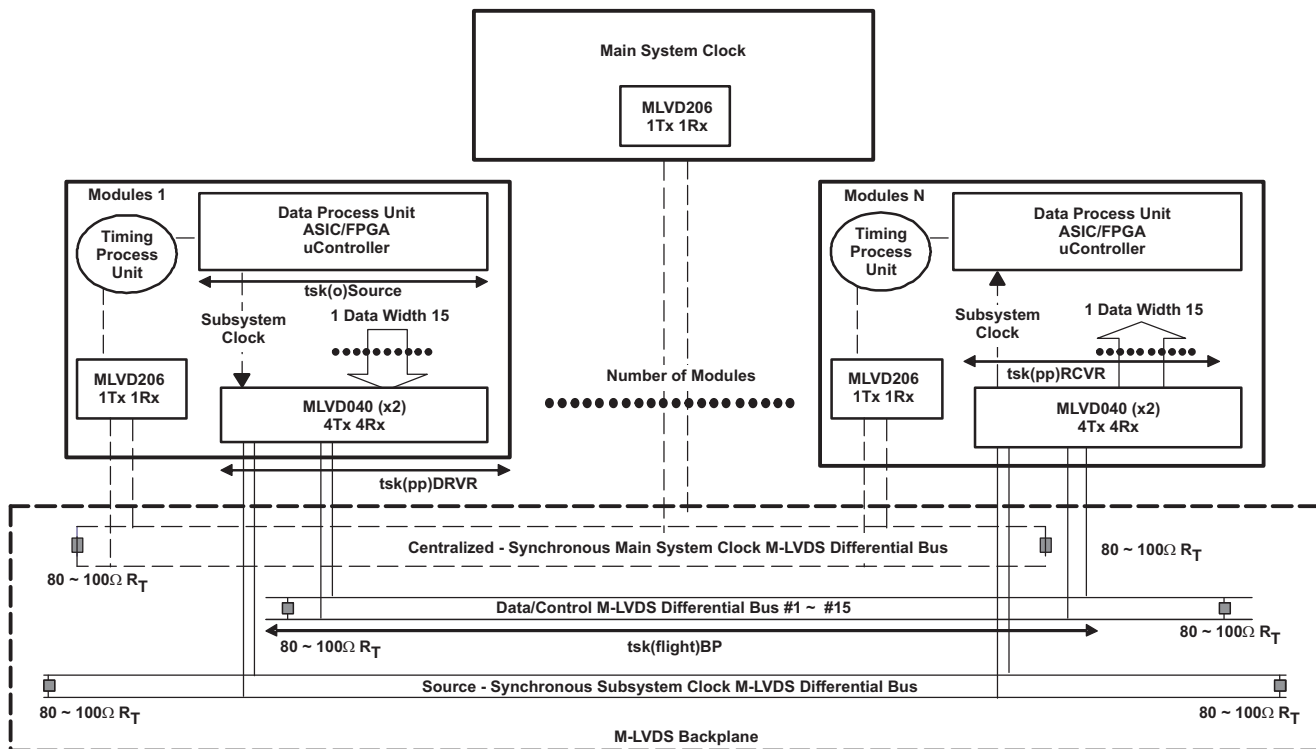


Figure 35. Using Differential M-LVDS to Perform Source Synchronous System Clock Distribution

The maximum SSSC frequencies in a transparent mode can be calculated with [Equation 1](#):

$$f_{\max(\text{clk})} < 1/[t_{\text{sk(o)Source}} + t_{\text{sk(pp)DRVR}} + t_{\text{sk(flight)BP}} + t_{\text{sk(pp)RCVR}}] \quad (1)$$

Setup time and hold time on the receiver side are decided by the data processing unit, FPGA, or ASIC in this example. By considering data passes through the transceiver only, the general calculation result is 238 MHz when using the following data:

$t_{\text{sk(o)Source}} = 2 \text{ ns}$ – Output skew of data processing unit; any skew between data bits, or clock and data bits

$t_{\text{sk(pp)DRVR}} = 0.6 \text{ ns}$ – Driver part-to-part skew of the SN65MLVD040

$t_{\text{sk(flight)BP}} = 0.4 \text{ ns}$ – Skew of propagation delay on the backplane between data and clock

$t_{\text{sk(pp)RCVR}} = 1 \text{ ns}$ – Receiver part-to-part skew of the SN65MLVD040

The 238-MHz maximum operating speed calculated above was determined based on data and clock skews only. Another important consideration when calculating the maximum operating speed is output transition time. Transition-time-limited operating speed is calculated from [Equation 2](#):

$$f = 45\% \times \frac{1}{2 \times t_{\text{transition}}} \quad (2)$$

Using the typical transition time of the SN65MLVD040 of 1.4 ns, a transition-time-limited operating frequency of 170 MHz can be supported.

In addition to the high operating frequencies of SSSC that can be ensured, the SN65MLVD040 presents other benefits as other M-LVDS bus transceivers can provide:

- Robust system operation due to common mode noise cancellation using a low voltage differential receiver
- Low EMI radiation noise due to differential signaling improves signal integrity through the backplane
- A singly terminated transmission line is easy to design and implement
- Low power consumption in both active and idle modes minimizes thermal concerns on each module

In dense backplane design, these benefits are important for improving the performance of the whole system.

LIVE INSERTION/GLITCH-FREE POWER UP/DOWN

The SN65MLVD040 family of products offered by Texas Instruments provides a glitch-free powerup/down feature that prevents the M-LVDS outputs of the device from turning on during a powerup or powerdown event. This is especially important in live insertion applications, when a device is physically connected to an M-LVDS multipoint bus and V_{CC} is ramping.

While the M-LVDS interface for these devices is glitch free on powerup/down, the receiver output structure is not. [Figure 36](#) shows the performance of the receiver output pin, R (CHANNEL 2), as V_{CC} (CHANNEL 1) is ramped.

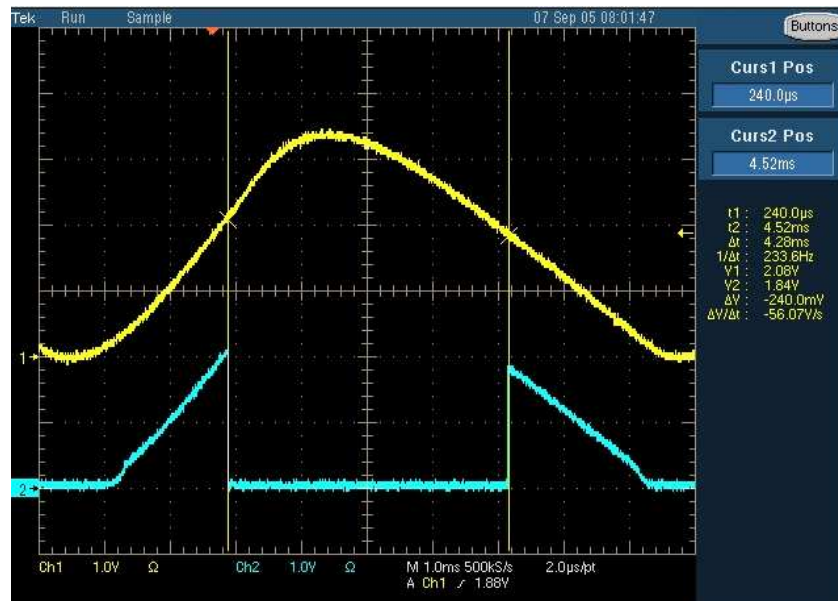


Figure 36. M-LVDS Receiver Output: V_{CC} (CHANNEL 1), R Pin (CHANNEL 2)

The glitch on the R pin is independent of the \overline{RE} voltage. Any complications or issues from this glitch are resolved in power sequencing or system requirements that suspend operation until V_{CC} has reached a steady state value.

PACKAGING INFORMATION

Orderable Device	Status (1)	Package Type	Package Drawing	Pins	Package Qty	Eco Plan (2)	Lead finish/ Ball material (6)	MSL Peak Temp (3)	Op Temp (°C)	Device Marking (4/5)	Samples
SN65MLVD040RGZR	ACTIVE	VQFN	RGZ	48	2500	RoHS & Green	NIPDAU	Level-3-260C-168 HR	-40 to 85	MLVD040	Samples
SN65MLVD040RGZT	ACTIVE	VQFN	RGZ	48	250	RoHS & Green	NIPDAU	Level-3-260C-168 HR	-40 to 85	MLVD040	Samples

(1) The marketing status values are defined as follows:

ACTIVE: Product device recommended for new designs.

LIFEBUY: TI has announced that the device will be discontinued, and a lifetime-buy period is in effect.

NRND: Not recommended for new designs. Device is in production to support existing customers, but TI does not recommend using this part in a new design.

PREVIEW: Device has been announced but is not in production. Samples may or may not be available.

OBSOLETE: TI has discontinued the production of the device.

(2) **RoHS:** TI defines "RoHS" to mean semiconductor products that are compliant with the current EU RoHS requirements for all 10 RoHS substances, including the requirement that RoHS substance do not exceed 0.1% by weight in homogeneous materials. Where designed to be soldered at high temperatures, "RoHS" products are suitable for use in specified lead-free processes. TI may reference these types of products as "Pb-Free".

RoHS Exempt: TI defines "RoHS Exempt" to mean products that contain lead but are compliant with EU RoHS pursuant to a specific EU RoHS exemption.

Green: TI defines "Green" to mean the content of Chlorine (Cl) and Bromine (Br) based flame retardants meet JS709B low halogen requirements of <=1000ppm threshold. Antimony trioxide based flame retardants must also meet the <=1000ppm threshold requirement.

(3) MSL, Peak Temp. - The Moisture Sensitivity Level rating according to the JEDEC industry standard classifications, and peak solder temperature.

(4) There may be additional marking, which relates to the logo, the lot trace code information, or the environmental category on the device.

(5) Multiple Device Markings will be inside parentheses. Only one Device Marking contained in parentheses and separated by a "~" will appear on a device. If a line is indented then it is a continuation of the previous line and the two combined represent the entire Device Marking for that device.

(6) Lead finish/Ball material - Orderable Devices may have multiple material finish options. Finish options are separated by a vertical ruled line. Lead finish/Ball material values may wrap to two lines if the finish value exceeds the maximum column width.

Important Information and Disclaimer:The information provided on this page represents TI's knowledge and belief as of the date that it is provided. TI bases its knowledge and belief on information provided by third parties, and makes no representation or warranty as to the accuracy of such information. Efforts are underway to better integrate information from third parties. TI has taken and continues to take reasonable steps to provide representative and accurate information but may not have conducted destructive testing or chemical analysis on incoming materials and chemicals. TI and TI suppliers consider certain information to be proprietary, and thus CAS numbers and other limited information may not be available for release.

In no event shall TI's liability arising out of such information exceed the total purchase price of the TI part(s) at issue in this document sold by TI to Customer on an annual basis.

TAPE AND REEL INFORMATION

QUADRANT ASSIGNMENTS FOR PIN 1 ORIENTATION IN TAPE


*All dimensions are nominal

Device	Package Type	Package Drawing	Pins	SPQ	Reel Diameter (mm)	Reel Width W1 (mm)	A0 (mm)	B0 (mm)	K0 (mm)	P1 (mm)	W (mm)	Pin1 Quadrant
SN65MLVD040RGZR	VQFN	RGZ	48	2500	330.0	16.4	7.3	7.3	1.5	12.0	16.0	Q2
SN65MLVD040RGZT	VQFN	RGZ	48	250	180.0	16.4	7.3	7.3	1.5	12.0	16.0	Q2

TAPE AND REEL BOX DIMENSIONS


*All dimensions are nominal

Device	Package Type	Package Drawing	Pins	SPQ	Length (mm)	Width (mm)	Height (mm)
SN65MLVD040RGZR	VQFN	RGZ	48	2500	853.0	449.0	35.0
SN65MLVD040RGZT	VQFN	RGZ	48	250	210.0	185.0	35.0

GENERIC PACKAGE VIEW

RGZ 48

VQFN - 1 mm max height

7 x 7, 0.5 mm pitch

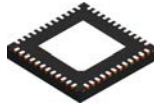
PLASTIC QUADFLAT PACK- NO LEAD



Images above are just a representation of the package family, actual package may vary.
Refer to the product data sheet for package details.

4224671/A

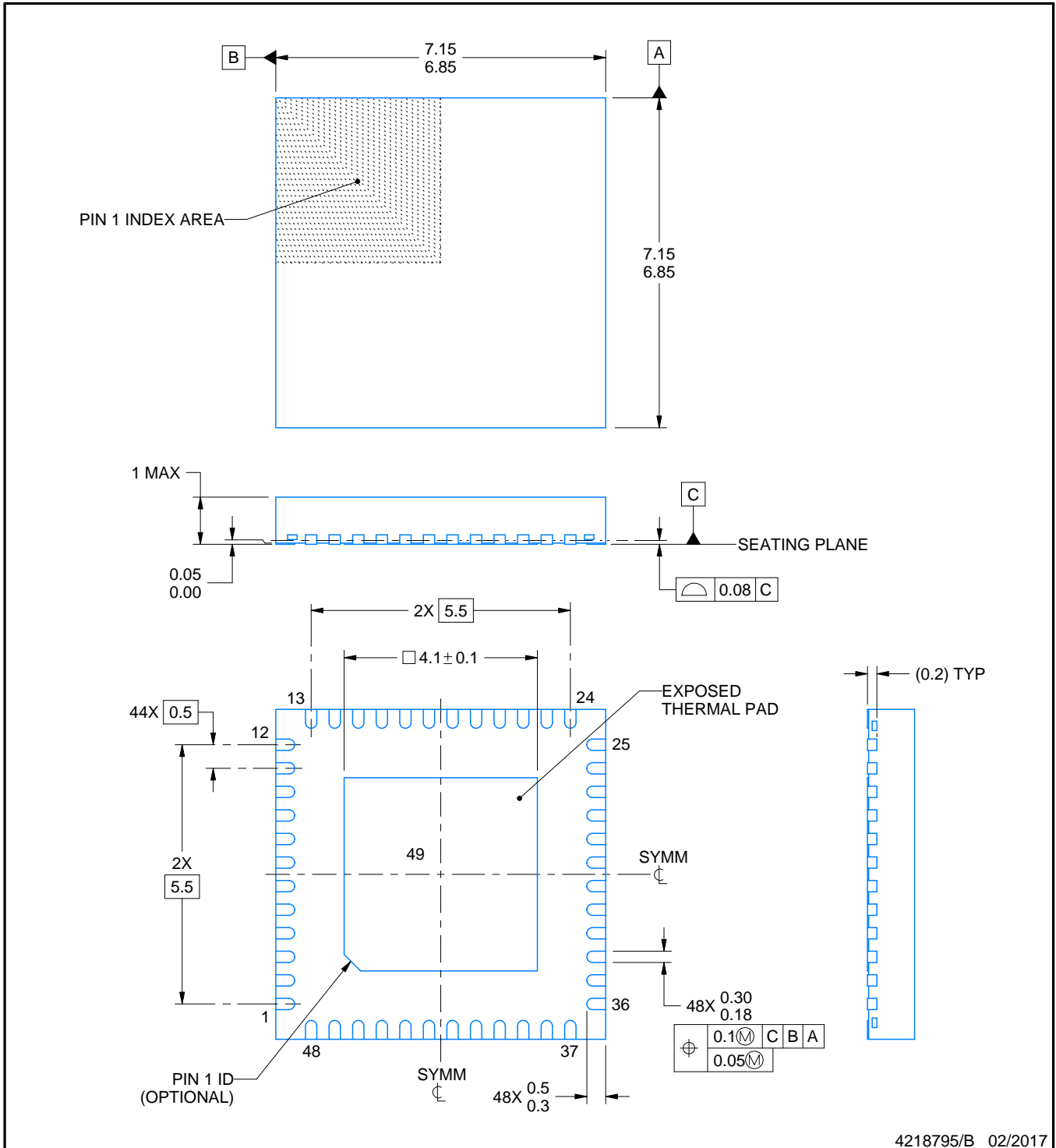
RGZ0048B



PACKAGE OUTLINE

VQFN - 1 mm max height

PLASTIC QUAD FLATPACK - NO LEAD



4218795/B 02/2017

NOTES:

1. All linear dimensions are in millimeters. Any dimensions in parenthesis are for reference only. Dimensioning and tolerancing per ASME Y14.5M.
2. This drawing is subject to change without notice.
3. The package thermal pad must be soldered to the printed circuit board for thermal and mechanical performance.

EXAMPLE BOARD LAYOUT

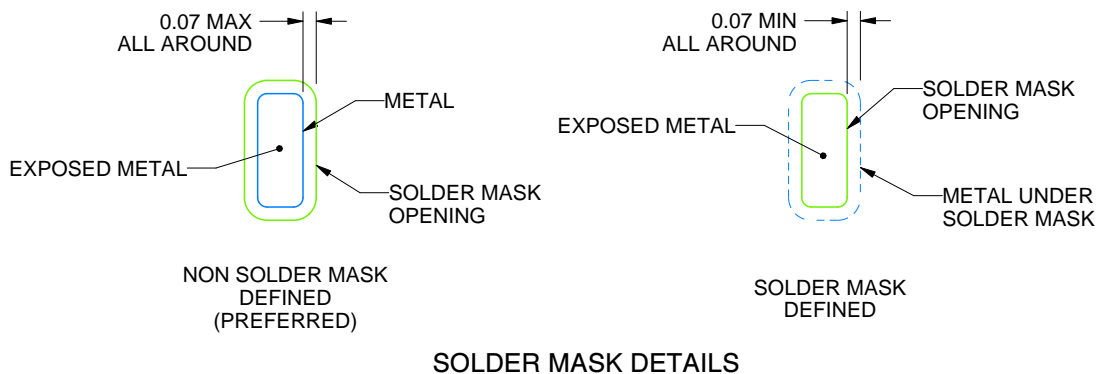
RGZ0048B

VQFN - 1 mm max height

PLASTIC QUAD FLATPACK - NO LEAD



LAND PATTERN EXAMPLE
EXPOSED METAL SHOWN
SCALE:12X



SOLDER MASK DETAILS

4218795/B 02/2017

NOTES: (continued)

4. This package is designed to be soldered to a thermal pad on the board. For more information, see Texas Instruments literature number SLUA271 (www.ti.com/lit/sluea271).
5. Vias are optional depending on application, refer to device data sheet. If any vias are implemented, refer to their locations shown on this view. It is recommended that vias under paste be filled, plugged or tented.

EXAMPLE STENCIL DESIGN

RGZ0048B

VQFN - 1 mm max height

PLASTIC QUAD FLATPACK - NO LEAD



SOLDER PASTE EXAMPLE
 BASED ON 0.125 mm THICK STENCIL

EXPOSED PAD 49
 73% PRINTED SOLDER COVERAGE BY AREA UNDER PACKAGE
 SCALE:12X

4218795/B 02/2017

NOTES: (continued)

- 6. Laser cutting apertures with trapezoidal walls and rounded corners may offer better paste release. IPC-7525 may have alternate design recommendations.

IMPORTANT NOTICE AND DISCLAIMER

TI PROVIDES TECHNICAL AND RELIABILITY DATA (INCLUDING DATASHEETS), DESIGN RESOURCES (INCLUDING REFERENCE DESIGNS), APPLICATION OR OTHER DESIGN ADVICE, WEB TOOLS, SAFETY INFORMATION, AND OTHER RESOURCES "AS IS" AND WITH ALL FAULTS, AND DISCLAIMS ALL WARRANTIES, EXPRESS AND IMPLIED, INCLUDING WITHOUT LIMITATION ANY IMPLIED WARRANTIES OF MERCHANTABILITY, FITNESS FOR A PARTICULAR PURPOSE OR NON-INFRINGEMENT OF THIRD PARTY INTELLECTUAL PROPERTY RIGHTS.

These resources are intended for skilled developers designing with TI products. You are solely responsible for (1) selecting the appropriate TI products for your application, (2) designing, validating and testing your application, and (3) ensuring your application meets applicable standards, and any other safety, security, or other requirements. These resources are subject to change without notice. TI grants you permission to use these resources only for development of an application that uses the TI products described in the resource. Other reproduction and display of these resources is prohibited. No license is granted to any other TI intellectual property right or to any third party intellectual property right. TI disclaims responsibility for, and you will fully indemnify TI and its representatives against, any claims, damages, costs, losses, and liabilities arising out of your use of these resources.

TI's products are provided subject to TI's Terms of Sale (www.ti.com/legal/termsofsale.html) or other applicable terms available either on ti.com or provided in conjunction with such TI products. TI's provision of these resources does not expand or otherwise alter TI's applicable warranties or warranty disclaimers for TI products.

Mailing Address: Texas Instruments, Post Office Box 655303, Dallas, Texas 75265
Copyright © 2020, Texas Instruments Incorporated