

Evaluating the **SSM6322** High Fidelity Audio Amplifier

FEATURES

- Enables quick prototyping
- Edge mounted SMA connector provisions
- Easy connection to test equipment and other circuits
- $\pm 5\text{ V}$ and $+3.3\text{ V}$ to supply the external circuit

EVALUATION KIT CONTENTS

- SSM6322CP-EBZ** evaluation board
- Wall adapter

GENERAL DESCRIPTION

The **SSM6322** evaluation board, the **SSM6322CP-EBZ**, evaluates the **SSM6322**, which is offered in a 24-lead LFCSP package. The **SSM6322CP-EBZ** evaluation board is a 4-layer printed circuit board (PCB) designed to quickly evaluate the performance of the device and reduce design time. The **SSM6322CP-EBZ** accepts SMA edge mounted connectors to test equipment or other circuitry.

Figure 1 shows the component side of the evaluation board, and Figure 2 shows the circuit side of the **SSM6322CP-EBZ**.

Complete specifications for the **SSM6322** device are provided in the **SSM6322** data sheet and should be consulted in conjunction with this user guide when using the evaluation board.

EVALUATION BOARD PHOTOGRAPHS

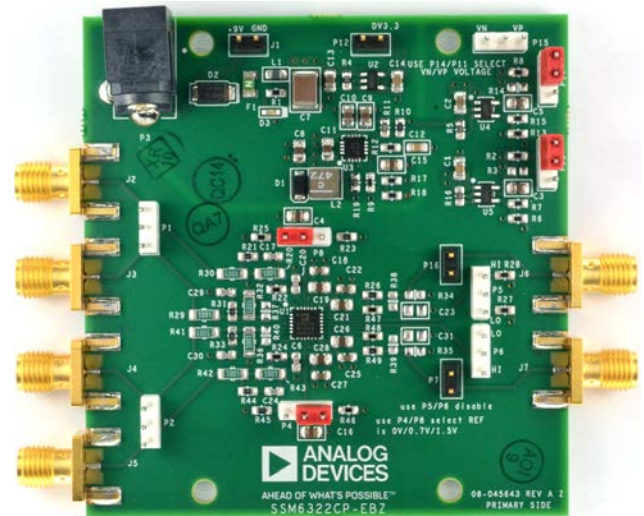


Figure 1. Component Side of the **SSM6322CP-EBZ** Evaluation Board

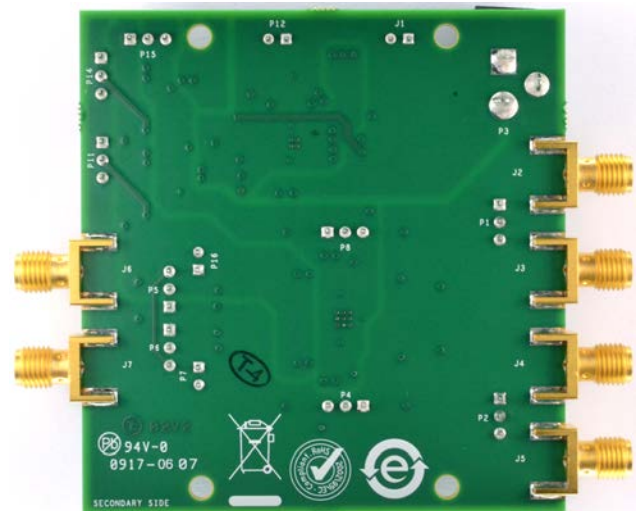


Figure 2. Circuit Side of the **SSM6322CP-EBZ** Evaluation Board

TABLE OF CONTENTS

Features	1	The SSM6322 Circuit.....	3
General Description	1	Evaluation Board Schematics and Artwork.....	4
Evaluation Board Photographs	1	Ordering Information.....	9
Revision History	2	Bill of Materials.....	9
Evaluation Board Hardware.....	3		
Power Supplies	3		

REVISION HISTORY

3/2017—Revision 0: Initial Version

EVALUATION BOARD HARDWARE

POWER SUPPLIES

Figure 3 shows the functional block diagram of the [SSM6322CP-EBZ](#) evaluation board.

There are two ways to power the evaluation board: the user can either connect the wall adapter to P3 or connect the external bench power to J1. The on-board power supply is designed to operate at 9 V.

The [ADP7118](#), [ADP5073](#), and [ADP7182](#) derive the positive and negative supply (± 5 V) for the [SSM6322](#). [ADP7118AUJZ-3.3](#) derives the 3.3 V power for the external circuit. P15 and P12 supply the ± 5 V and +3.3 V power to the external circuit (see Table 1).

Table 1. Power Supplies Provided on the Evaluation Board

Power Supply and Designator (V)	Function	Components Used
+5 (Avdd)	Positive rail of amplifier	ADP7118AUJZ
-5 (Avee)	Negative rail of amplifier	ADP5073 and ADP7182
+3.3 (DV3.3)	Power for external circuit	ADP7118AUJZ-3.3

Each supply is decoupled where it enters the [SSM6322CP-EBZ](#) and at each device. To avoid the [ADP5073](#) switching noise interfering with the analog circuit, the evaluation board is laid out using a star ground to make the ground current path of the [ADP5073](#) return back to the ground of the wall adapter directly (see Figure 8).

Users can power the [SSM6322](#) from a bench top power supply, P15. When using the bench power, U4 (-5 V) and U5 ($+5$ V) are not required and must be removed.

THE SSM6322 CIRCUIT

The [SSM6322](#) input stage is configured as differential to single-ended conversion circuit. The output stage is a buffer. Edge mounted SMA connectors make performance evaluation easy, for example, evaluating the total harmonic distortion plus noise (THD + N).

P4 and P8 are 3-pin jumpers that can choose the voltage of the REF1 and REF2 pins. Shorting the first pin and second pin of the P4 and P8 jumpers configure the REF1 and REF2 voltages as 0 V; shorting the second pin and third pin of the jumper configure the REF1 and REF2 voltages as 0.7 V.

P5 and P6 are 3-pin jumpers, which can enable or disable the [SSM6322](#). Shorting the first pin and second pin of the P5 and P6 jumpers (low at the SD and SD2 pins) disable the [SSM6322](#); shorting the second pin and third pin of the P5 and P6 jumpers (high at the SD and SD2 pins) enable the [SSM6322](#).

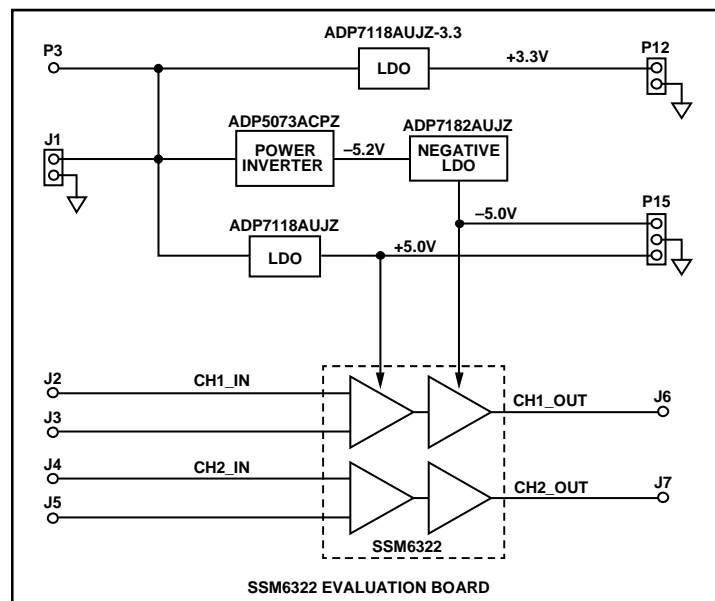


Figure 3. Functional Block Diagram

EVALUATION BOARD SCHEMATICS AND ARTWORK

900-02951

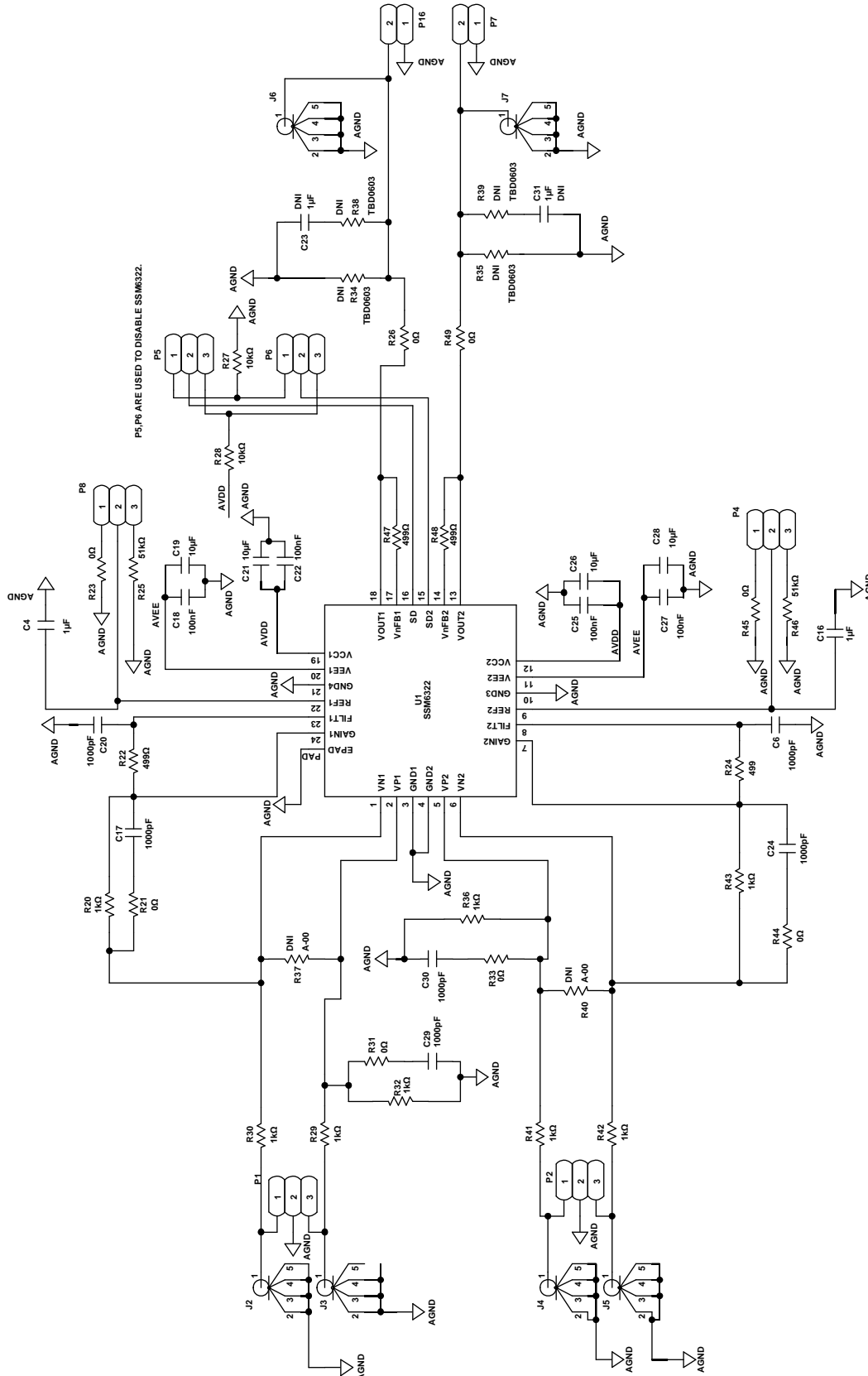


Figure 4. SSM6322 Evaluation Board SSM6322 Circuit
Rev. 0 | Page 4 of 10

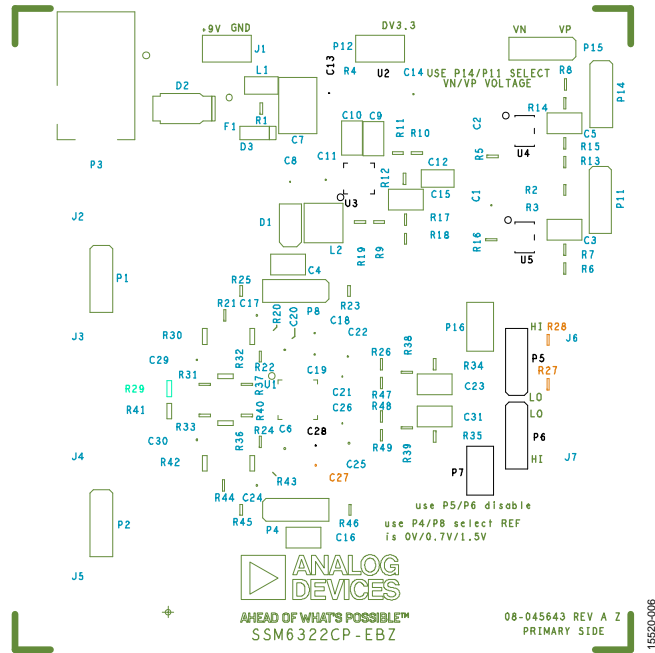


Figure 6. SSM6322 Evaluation Board Silkscreen, Top Layer

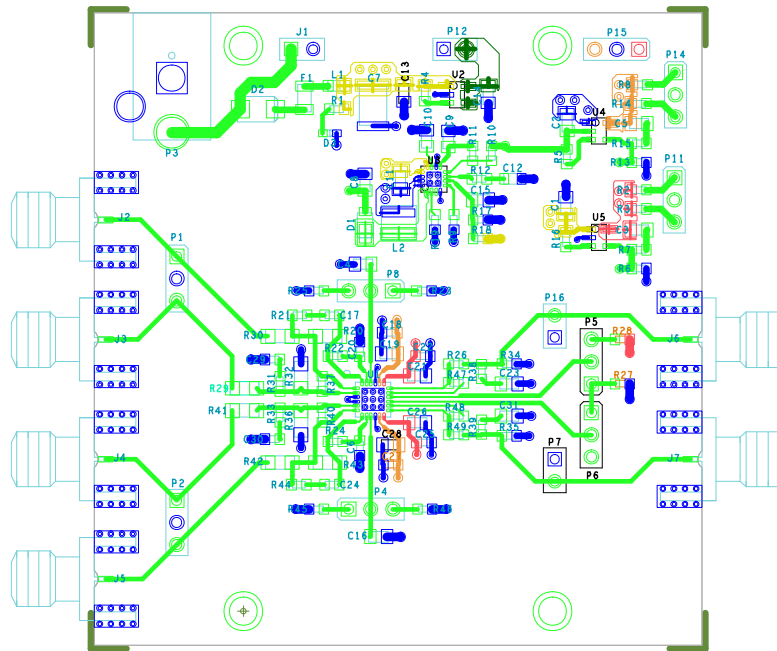


Figure 7. SSM6322 Evaluation Board, Top Layer

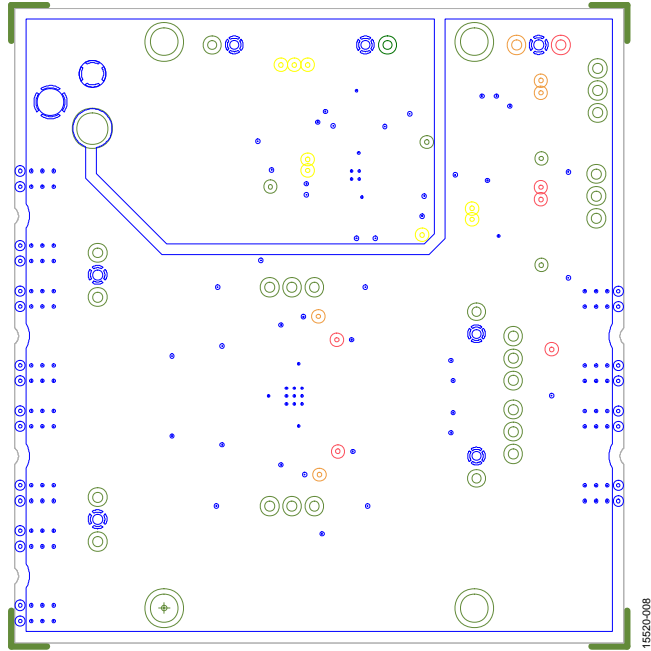


Figure 8. SSM6322 Evaluation Board, GND Layer

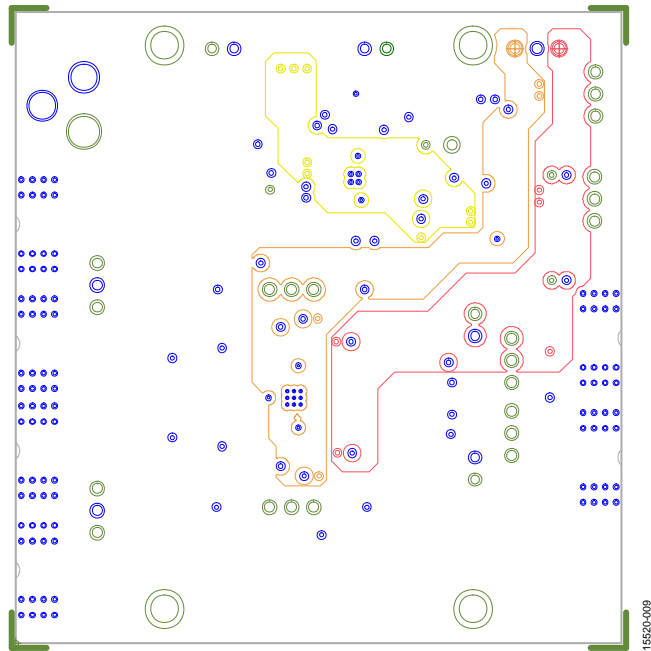
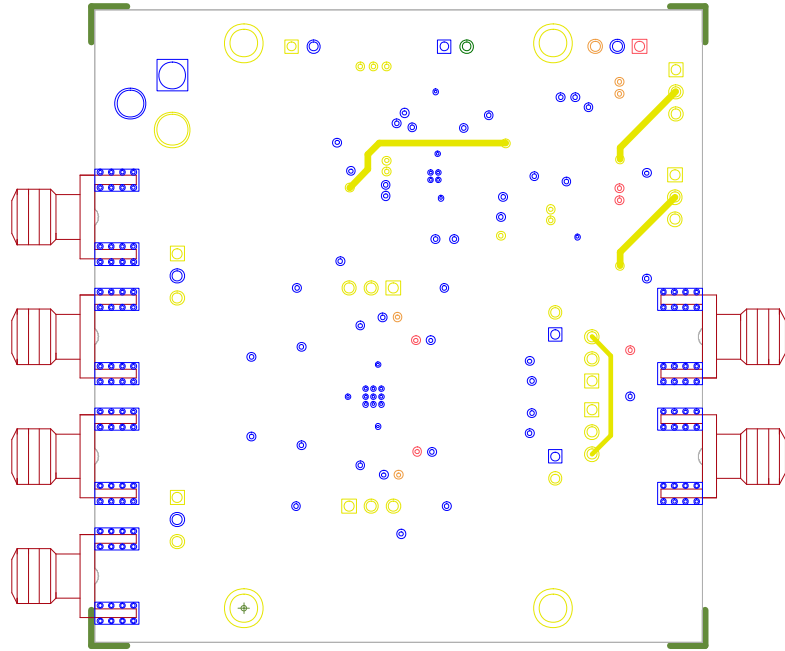


Figure 9. SSM6322 Evaluation Board, Power Layer



15529-010

Figure 10. SSM6322 Evaluation Board, Bottom Layer

ORDERING INFORMATION

BILL OF MATERIALS

Table 2. Bill of Materials for the [SSM6322](#) Evaluation Board

Qty	Reference Designator	Description	Manufacturer
4	C1, C2, C34, C38	22 μ F	Murata
7	C3 to C5, C9, C10, C16, C29	1 μ F	Murata
6	C8, C11, C33, C46, C49, C52	10 μ F	TDK
1	C12	47,000 pF	Wurth Elektronik
6	C6, C31, C35, C44, C53, C56	1000 pF	TDK
4	C32, C37, C48, C50	100 nF	Dielectric Labs
1	C41	100 μ F	TDK
1	D1	DFLS240-7	Diodes Incorporated
1	D10	MBRA140T3G	On Semiconductor
1	D16	LNJ208R8ARA, red	Panasonic
1	F1	2 A	Littelfuse
4	J1, P7, P12, P16	69157-102HLF	Amphenol FCI
6	J2 to J7	142-0701-851	Cinch Connectivity
1	L1	60 Ω at 100 MHz	Murata
1	L2	4.7 μ H	Coilcraft
9	P1, P2, P4 to P6, P8, P11, P14, P15	MOLEX22-03-2031	Molex
1	P3	RAPC722X	Switchcraft
1	R1	2.2 k Ω	Panasonic
1	R10	1.15 M Ω	Vishay
1	R11	158 k Ω	Yageo
1	R12	3 k Ω	Panasonic
9	R6, R7, R9, R13, R15, R26, R45, R47, R48	10 k Ω	Multicomp
2	R2, R8	31.6 k Ω	Panasonic
4	R24, R44, R65, R66	499 Ω	Susumu
8	R29, R30, R32, R36, R49, R50, R52, R56	1 k Ω	Vishay Precision Group
6	R31, R33, R43, R51, R53, R64	0 Ω	Vishay Precision Group
4	R4, R5, R37, R41	1 k Ω	Multicomp (SPC)
2	R62, R63	51 k Ω	Panasonic
2	R73, R74	0 Ω	Multicomp
1	U1	SSM6322	Analog Devices, Inc.
1	U2	ADP7118AUJZ-3.3	Analog Devices
1	U3	ADP5073ACPZ	Analog Devices
1	U4	ADP7182AUJZ	Analog Devices
1	U5	ADP7118AUJZ	Analog Devices

NOTES

**ESD Caution**

ESD (electrostatic discharge) sensitive device. Charged devices and circuit boards can discharge without detection. Although this product features patented or proprietary protection circuitry, damage may occur on devices subjected to high energy ESD. Therefore, proper ESD precautions should be taken to avoid performance degradation or loss of functionality.

Legal Terms and Conditions

By using the evaluation board discussed herein (together with any tools, components documentation or support materials, the "Evaluation Board"), you are agreeing to be bound by the terms and conditions set forth below ("Agreement") unless you have purchased the Evaluation Board, in which case the Analog Devices Standard Terms and Conditions of Sale shall govern. Do not use the Evaluation Board until you have read and agreed to the Agreement. Your use of the Evaluation Board shall signify your acceptance of the Agreement. This Agreement is made by and between you ("Customer") and Analog Devices, Inc. ("ADI"), with its principal place of business at One Technology Way, Norwood, MA 02062, USA. Subject to the terms and conditions of the Agreement, ADI hereby grants to Customer a free, limited, personal, temporary, non-exclusive, non-sublicensable, non-transferable license to use the Evaluation Board FOR EVALUATION PURPOSES ONLY. Customer understands and agrees that the Evaluation Board is provided for the sole and exclusive purpose referenced above, and agrees not to use the Evaluation Board for any other purpose. Furthermore, the license granted is expressly made subject to the following additional limitations: Customer shall not (i) rent, lease, display, sell, transfer, assign, sublicense, or distribute the Evaluation Board; and (ii) permit any Third Party to access the Evaluation Board. As used herein, the term "Third Party" includes any entity other than ADI, Customer, their employees, affiliates and in-house consultants. The Evaluation Board is NOT sold to Customer; all rights not expressly granted herein, including ownership of the Evaluation Board, are reserved by ADI. CONFIDENTIALITY. This Agreement and the Evaluation Board shall all be considered the confidential and proprietary information of ADI. Customer may not disclose or transfer any portion of the Evaluation Board to any other party for any reason. Upon discontinuation of use of the Evaluation Board or termination of this Agreement, Customer agrees to promptly return the Evaluation Board to ADI. ADDITIONAL RESTRICTIONS. Customer may not disassemble, decompile or reverse engineer chips on the Evaluation Board. Customer shall inform ADI of any occurred damages or any modifications or alterations it makes to the Evaluation Board, including but not limited to soldering or any other activity that affects the material content of the Evaluation Board. Modifications to the Evaluation Board must comply with applicable law, including but not limited to the RoHS Directive. TERMINATION. ADI may terminate this Agreement at any time upon giving written notice to Customer. Customer agrees to return to ADI the Evaluation Board at that time. LIMITATION OF LIABILITY. THE EVALUATION BOARD PROVIDED HEREUNDER IS PROVIDED "AS IS" AND ADI MAKES NO WARRANTIES OR REPRESENTATIONS OF ANY KIND WITH RESPECT TO IT. ADI SPECIFICALLY DISCLAIMS ANY REPRESENTATIONS, ENDORSEMENTS, GUARANTEES, OR WARRANTIES, EXPRESS OR IMPLIED, RELATED TO THE EVALUATION BOARD INCLUDING, BUT NOT LIMITED TO, THE IMPLIED WARRANTY OF MERCHANTABILITY, TITLE, FITNESS FOR A PARTICULAR PURPOSE OR NON-INFRINGEMENT OF INTELLECTUAL PROPERTY RIGHTS. IN NO EVENT WILL ADI AND ITS LICENSORS BE LIABLE FOR ANY INCIDENTAL, SPECIAL, INDIRECT, OR CONSEQUENTIAL DAMAGES RESULTING FROM CUSTOMER'S POSSESSION OR USE OF THE EVALUATION BOARD, INCLUDING BUT NOT LIMITED TO LOST PROFITS, DELAY COSTS, LABOR COSTS OR LOSS OF GOODWILL. ADI'S TOTAL LIABILITY FROM ANY AND ALL CAUSES SHALL BE LIMITED TO THE AMOUNT OF ONE HUNDRED US DOLLARS (\$100.00). EXPORT. Customer agrees that it will not directly or indirectly export the Evaluation Board to another country, and that it will comply with all applicable United States federal laws and regulations relating to exports. GOVERNING LAW. This Agreement shall be governed by and construed in accordance with the substantive laws of the Commonwealth of Massachusetts (excluding conflict of law rules). Any legal action regarding this Agreement will be heard in the state or federal courts having jurisdiction in Suffolk County, Massachusetts, and Customer hereby submits to the personal jurisdiction and venue of such courts. The United Nations Convention on Contracts for the International Sale of Goods shall not apply to this Agreement and is expressly disclaimed.