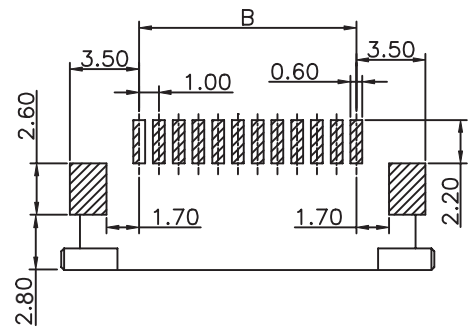


Recommended FFC



RECOMMENDED PCB LAYOUT - COMPONENT VIEW

MATERIAL:
 HOUSING MATERIAL: PPS
 COLOR: BEIGE
 ACTUATOR MATERIAL: PPS
 COLOR: BLACK
 CONTACT MATERIAL: PHOSPOR BRONZE
 CONTACT PLATING: 100µ" TIN OVER 50µ" NI
 QUALITY CLASS: 25 MATING CYCLES*

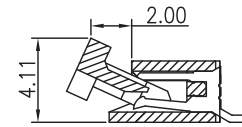
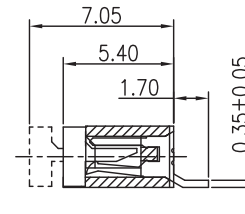
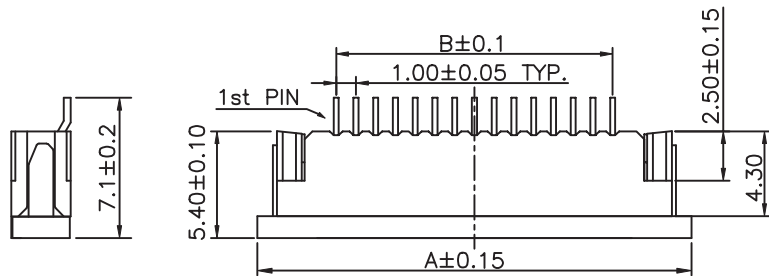
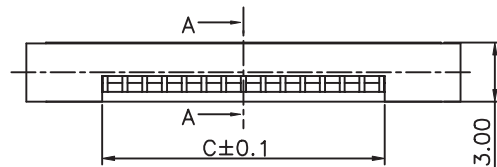
ENVIRONNEMENTAL:
 OPERATING TEMPERATURE: -25°C UP TO 85°C
 FLAMMABILITY RATING: UL94-V0
 COMPLIANCE: LEAD FREE AND ROHS

ELECTRICAL:
 CURRENT RATING: 1A
 WORKING VOLTAGE: 125V
 INSULATION RESISTANCE: >100MOHM
 DIELECTRIC WITHSTANDING VOLT.: 500VAC/MN
 CONTACT RESISTANCE: 20mOHM MAX

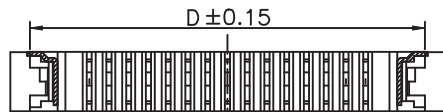
STANDARD
 CERTIFIED: E323964 / MODEL NUMBER 686
 FOLLOWED BY 1, FOLLOWED BY 03 THRU 30, FOLLOWED
 BY 141 OR 144, FOLLOWED BY NUMERIC DIGITS

SOLDERING:
 REFLOW PROCESS ONLY

DIMENSION:
 A = B + 8.00
 B = 1.00 x (NB PINS - 1)
 C = B + 2.1
 D = B + 6.00



SECT. A-A



RoHS Compliant		*NOTE: theoretical value related to the Tin plating; however, due to the sensitive actuator, we recommend not to make more than 1 or 2 cycles in order to maintain acceptable mechanical & electrical conditions	
		PROJECTION:	GENERAL TOLERANCE
			.X = +/- 0.2
			.XX = +/- 0.15
		APPROVAL: Gmo	UNIT: MM
			SCALE:
O	29-JUN-17	RECOMMEND. FFC	AK
REV	DATE	FILE	BY
			WÜRTH ELEKTRONIK
			DESCRIPTION: 1.0MM ZIF FPC HORIZONTAL BOTTOM CONTACT TYPE - TAPE & REEL PACKAGING
			WERI PART NO: 686 1xx 144 22
			SIZE
			A4

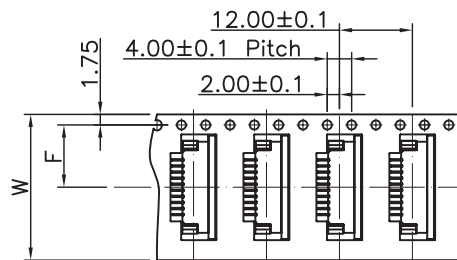
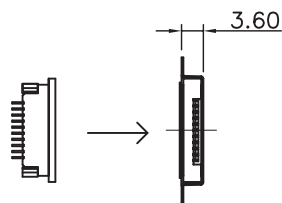
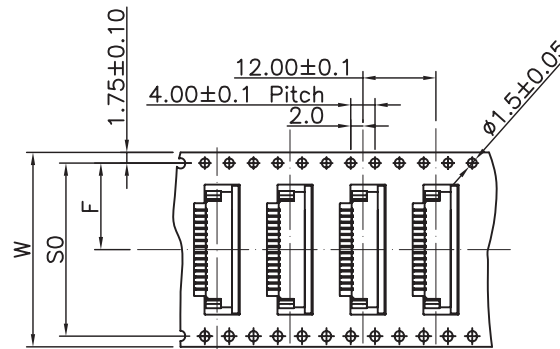
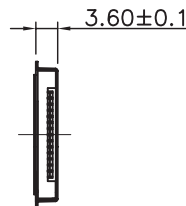
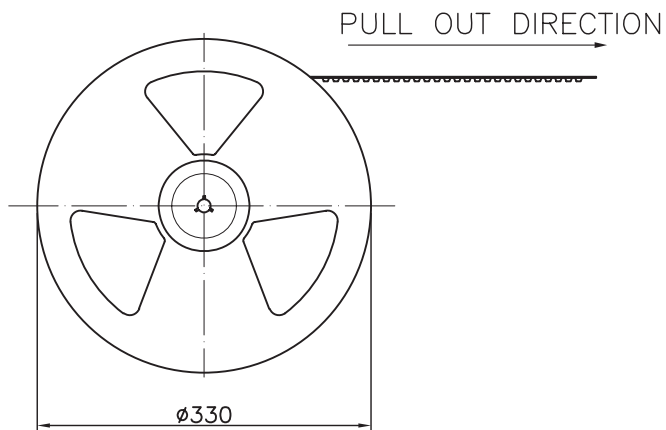
1

2

3

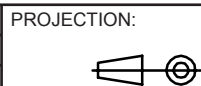
4

5



PART-NO.	4-9PIN	10-14PIN	15-26PIN	27-30PIN
W	24.00	32.00	44.00	56.00
F	11.50	14.20	20.20	26.20
SO	—	28.40	40.40	52.40

RoHS Compliant				
G				
F				
E				
D				
C				
B				
A				
REV	DATE	FILE	BY	



APPROVAL: GMo

GENERAL TOLERANCE
 .X = +/- 0.2
 .XX = +/- 0.15



UNIT: MM
 SCALE:
 SHEET: 2/3
 DRAW: AK

DESCRIPTION: 1.0MM ZIF FPC HORIZONTAL BOTTOM CONTACT TYPE - TAPE & REEL PACKAGING

WERI PART NO: 686 1xx 144 22

SIZE
A4

A

B

C

D

1

2

3

4

5

Cautions and Warnings:

This electronic component is designed and developed with the intention for use in general electronics equipments.

Before incorporating the components into any equipments in the field such as aerospace, aviation, nuclear control, submarine, transportation, (automotive control, train control, ship control), transportation signal, disaster prevention, medical, public information network etc. where higher safety and reliability are especially required or if there is possibility of direct damage or injury to human body, Würth Elektronik must be asked for a written approval.

In addition, even electronic component in general electronic equipments, when used in electrical circuits that require high safety, reliability functions or performance, the sufficient reliability evaluation-check for the safety must be performed before by the user before usage.

A

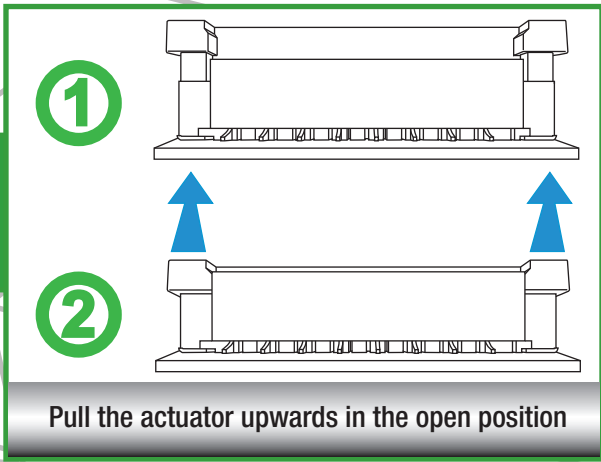
B

C

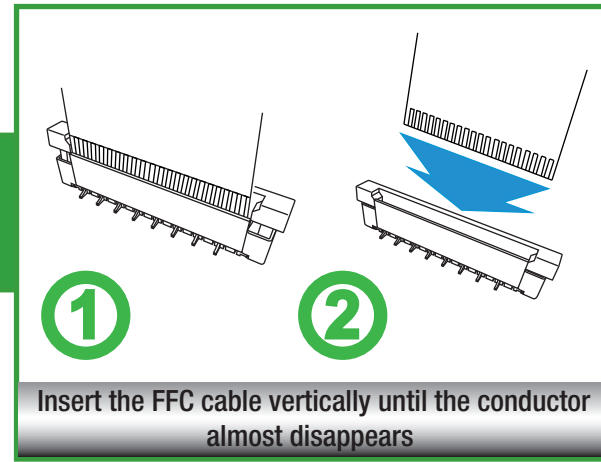
RoHS Compliant

G				PROJECTION: 	GENERAL TOLERANCE .X = +/- 0.2 .XX = +/- 0.15		
F							
E							
D							
C				APPROVAL: JC	UNIT: MM	DESCRIPTION: DISCLAIMER	SIZE A4
B					SCALE:		
A	10-SEP-14	PDF	QL		SHEET: 3/3	WERI PART NO: DISCLAIMER	
REV	DATE	FILE	BY		DRAW: QL		

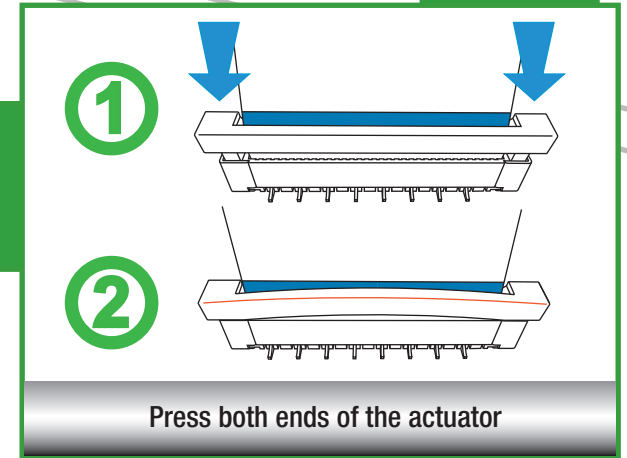
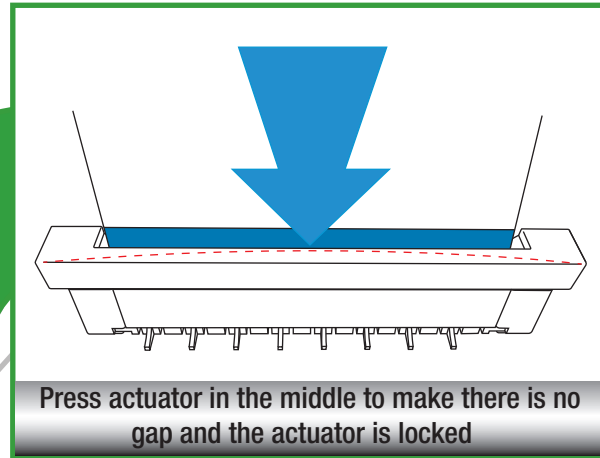
D

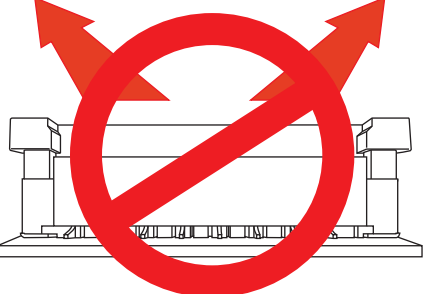


A



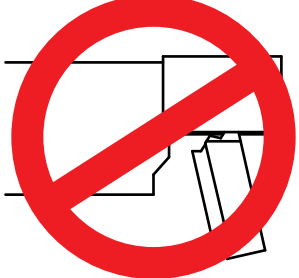
B



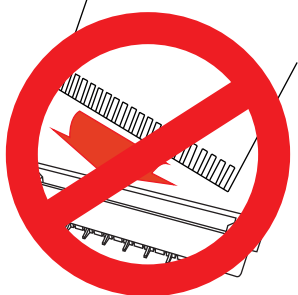


Pull the actuator as horizontally as possible by a proper force

A

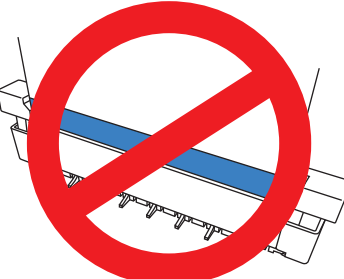


Do not pull the actuator too far otherwise the stop limit (hook on actuator) may be broken



Do not keep FFC inclined when insertion

B



Don't keep conductor toward actuator