



Product / Process Change Notification (PCN)

- Major change
 Minor change

<p>PCN #: PCN_UtPOE MID_20230421</p> <p>Affected Series: UtPOE MID, UtPOELT MID, UtPOETI MID; See affected p/n's below</p> <p>PCN Date: January 20, 2023</p> <p>Effective Date: April 21, 2023</p> <p>Effected Date Code: Week 16 of Year 2023</p> <p>Revision: See below</p>	<p>Change Category:</p> <p><input type="checkbox"/> Equipment / Location</p> <p><input checked="" type="checkbox"/> General Data</p> <p><input type="checkbox"/> Material</p> <p><input type="checkbox"/> Process</p> <p><input type="checkbox"/> Product Design</p> <p><input type="checkbox"/> Shipping / Packaging</p> <p><input type="checkbox"/> Supplier</p> <p><input type="checkbox"/> Software</p>
<p>Contact: Design Engineering PCN Specialist</p> <p>Phone: +1 (605) 886 1427</p> <p>Fax: +1 (605) 886 4486</p> <p>E-Mail: pcn.midcom@we-online.com</p>	<p>Data Sheet Change:</p> <p><input checked="" type="checkbox"/> Yes <input type="checkbox"/> No</p> <p>Attachment:</p> <p><input type="checkbox"/> Yes <input checked="" type="checkbox"/> No</p>

Description and purpose of change:

Due to internal standardization, Würth Electronics Midcom will update the length dimension and add the bare terminal size dimension on the datasheet.

Additionally, Würth Electronics will update the customer tie notation, and 750310167 will add solder bridge notation to the datasheet.

Additionally, for 750310346, 750310167, 750313095, and 750313355, Würth Electronics Midcom will update the width dimension to allow solder spikes during manufacturing.

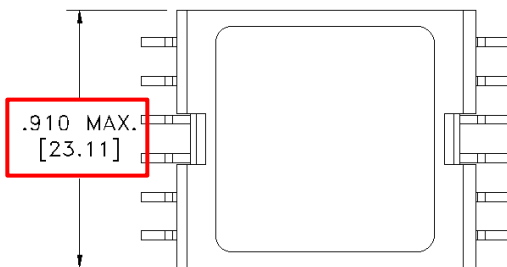
Additionally, for 750310346 and 750310167, Würth Electronics will update the marking detail and add wire insulation color notes.

There will be no change in form, function, quality or reliability of the product unless otherwise noted. 750310346 and 750310167 will have a form change for the marking detail.

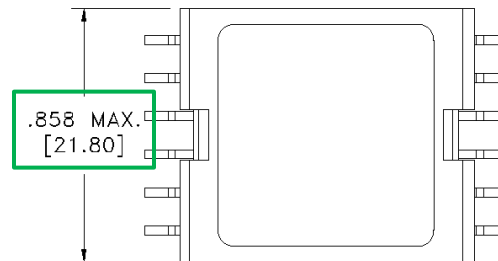
Detail of Change:

Length dimension will change

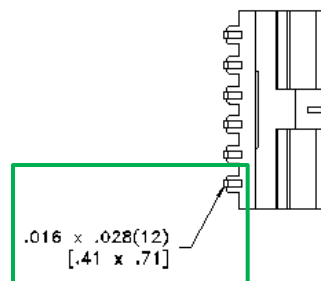
Before Change:



After Change:



Bare terminal size dimension will be added:



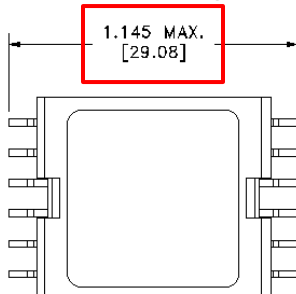
Customer tie notation will be added or updated to meet internal standards. No terminal ties will be changed.

750310167 will add solder bridge notation:

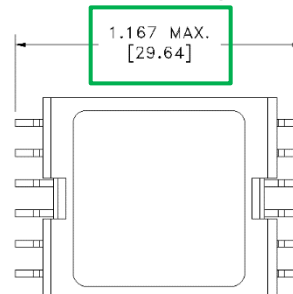
Application of the transformer allows for the leadwires between terminals 2&3 to solder bridge.

750310346, 750310167, 750313095, and 750313355, width dimension will change

Before Change:



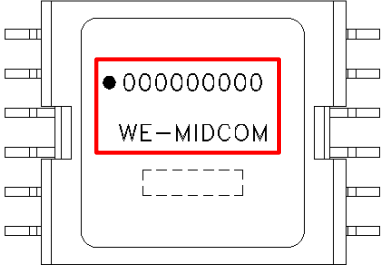
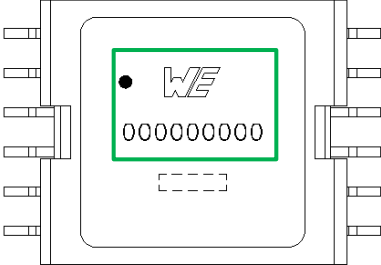
After Change:



750310346 and 750310167 will change the marking detail

(See Next Page)



Before Change:	After Change:
	
<p>750310346 and 750310167 will add wire insulation color notes:</p>	
<p>Wire insulation & RoHS status not affected by wire color.</p>	
<p>Wire insulation color may vary depending on availability.</p>	
<p>Reliability / Qualification Summary:</p>	
<p>Process / Product approval is according to internal requirements released by the Total Quality Department and the Product Management Department.</p>	