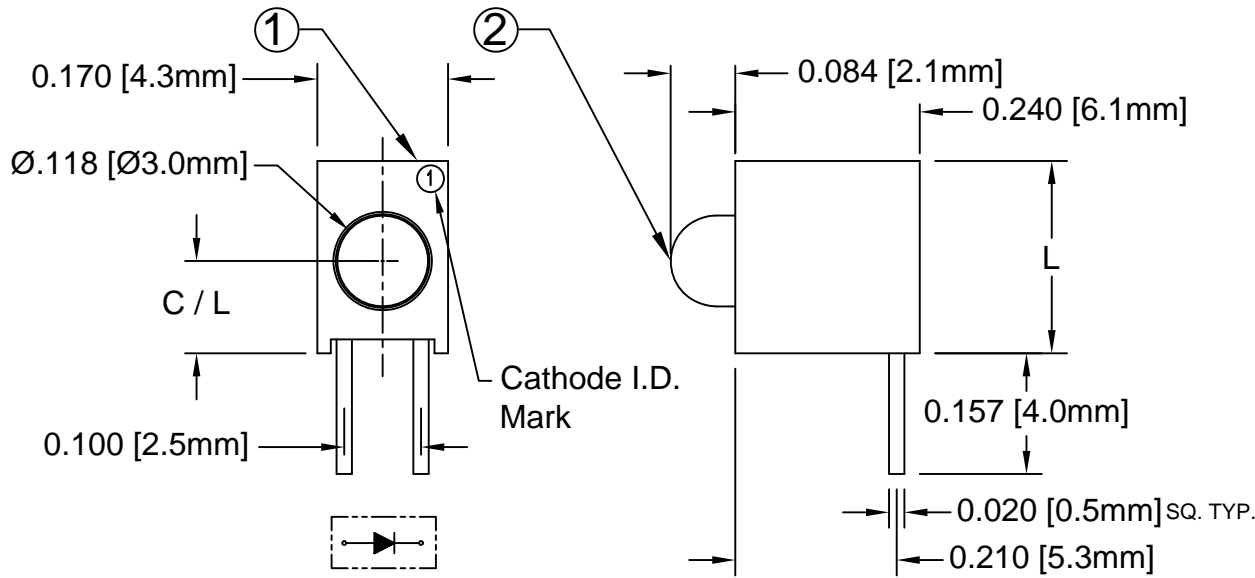
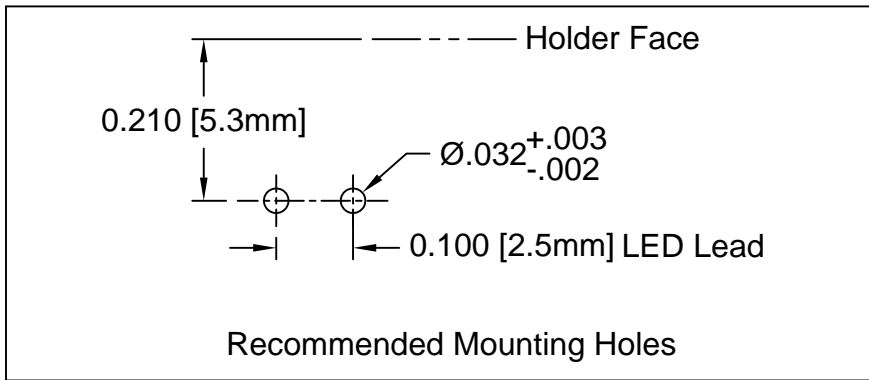


| ITEM | Q'TY | PART NUMBER | PART DESCRIPTION |
|------|------|--------------|---|
| 1 | 1 | H-131C-1-XXX | T-1 (3mm) LED Holder, 90° Mount, Var. C/L |
| 2 | 1 | 3XX-S | T-1 (3mm) N-Flange Shouldered LED, See Page 2 |

| REV. | DESCRIPTION | DATE | APPROVED |
|------|-----------------------------------|----------|----------|
| E | Corrected Page 2 | 12/14/07 | M. C. |
| F | Updated H131CRDL-XXX Spec, Page 2 | 05/01/08 | M. C. |
| G | Added H131CSRT-XXX Spec, Page 2 | 01/27/09 | T. Y. |
| H | Added Assembly Specs, Page2 | 03/11/10 | T. Y. |
| J | Engineering Update w/o Changes | 06/20/16 | J. C. |



EXAMPLE:
H131CRD-160*
 Centerline "C/L"
 LED Color & Lens Appearance.
 Omit 3 when ordering.
 Series * XXX = Centerline "C/L"



| Available Centerlines | | |
|-----------------------|------------|------------|
| XXX | C/L | L |
| 120 | .120 (3.0) | .250 (6.4) |
| 140 | .140 (3.6) | .270 (6.9) |
| 160 | .160 (4.1) | .290 (7.4) |
| 180 | .180 (4.6) | .310 (7.9) |


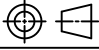
ABSOLUTE MAXIMUM RATINGS (Ta=25° C)

REVERSE VOLTAGE _____ 5V
 REVERSE CURRENT _____ 100uA
 OPERATING TEMPERATURE RANGE _____ -25° C - 85° C
 STORAGE TEMPERATURE _____ -30° C - 100° C
 LEAD SOLDERING TEMPERATURE(1/16" FROM BODY) _____ 260° C FOR 5 SECONDS

| STANDARD TOLERANCE (UNLESS OTHERWISE SPECIFIED) | | BIVAR® | |
|--|--------------------------|--|-----------------------|
| DECIMALS | ANGULAR | 4 THOMAS, IRVINE, CA. 92618 TEL: (949) 951-8808 FAX: (949) 951-3974 | |
| .X ± .1 | X° ± 1° | TITLE: T-1 (3MM) 90° SINGLE-LEVEL VAR. C/L LED ASSY | |
| .XX ± .02 | | | |
| .XXX ± .010 | | | |
| DESIGNED: D. Green | DATE: 06/11/03 | PART NO: H131CXX-XXX | REVISION: J |
| CHECKED: M. Chen | DATE: 06/11/03 | CAGE CODE : 32559 | SHEET # 1 OF 2 |
| CAD GENERATED DOCUMENT. DO NOT MEASURE DRAWING. | | | |

| | | | |
|------|--------------|------|----------|
| REV. | DESCRIPTION | DATE | APPROVED |
| | SEE SHEET #1 | | |

| LED Assy. No. | Peak Wave Length λ_p (nm) | Emitted Color | Lens Appearance | Electro-Optical Data | | | | Viewing Angle $2\theta_{1/2}$ (Deg) | LED P/N |
|--------------------|--------------------------------------|---------------|-----------------|----------------------|-----------|-----|-------------|---|---------|
| | | | | If (mA) | Vf (V) | | Iv (mcd) | | |
| | | | | TYP | TYP | MAX | TYP | | |
| STANDARD | | | | Data @ 20mA | | | | | |
| H131CBWD-XXX | 430 | BLUE | DIFFUSED | 20 | 4.0 | 4.5 | 10 | 40 | 3BWD-S |
| H131CGD-XXX | 568 | GREEN | DIFFUSED | 20 | 2.1 | 2.8 | 25 | 40 | 3GD-S |
| H131CSGD-XXX | 568 | SUPER GREEN | DIFFUSED | 20 | 2.1 | 2.8 | 30 | 40 | 3SGD-S |
| H131CSGT-XXX | 568 | SUPER GREEN | TINTED | 20 | 2.1 | 2.8 | 50 | 30 | 3SGT-S |
| H131CYD-XXX | 590 | YELLOW | DIFFUSED | 20 | 2.0 | 2.8 | 20 | 40 | 3YD-S |
| H131CSYD-XXX | 590 | SUPER YELLOW | DIFFUSED | 20 | 2.0 | 2.8 | 30 | 40 | 3SYD-S |
| H131CHD-XXX | 625 | HE RED | DIFFUSED | 20 | 2.0 | 2.8 | 30 | 40 | 3HD-S |
| H131CRD-XXX | 700 | RED | DIFFUSED | 20 | 2.1 | 2.8 | 2 | 40 | 3RD-S |
| H131CSR-XXX | 645 | SUPER RED | DIFFUSED | 20 | 1.7 | 2.4 | 40 | 40 | 3SRD-S |
| H131CSRT-XXX | 645 | SUPER RED | TINTED | 20 | 1.7 | 2.4 | 60 | 30 | 3SRT-S |
| LOW CURRENT | | | | Data @ 2mA | | | | | |
| H131CACL-XXX | 610 | AMBER | WATER CLEAR | 2 | 1.9 | 2.2 | 11.5 | 30 | 3ACL-S |
| H131CBWCL-XXX | 430 | BLUE | WATER CLEAR | 2 | 3.5 | 4.0 | 10 | 30 | 3BWCL-S |
| H131CGCL-XXX | 568 | GREEN | WATER CLEAR | 2 | 2.1 | 2.6 | 4 | 30 | 3GCL-S |
| H131CHCL-XXX | 625 | HE RED | WATER CLEAR | 2 | 2.0 | 2.6 | 4 | 30 | 3HCL-S |
| H131CPGCL-XXX | 555 | PURE GREEN | WATER CLEAR | 2 | 2.1 | 2.6 | 1 | 30 | 3PGCL-S |
| H131CRCL-XXX | 655 | RED | WATER CLEAR | 2 | 1.9 | 2.2 | 1.9 | 30 | 3RCL-S |
| H131CYCL-XXX | 590 | YELLOW | WATER CLEAR | 2 | 2.0 | 2.6 | 4 | 30 | 3YCL-S |
| H131CGDL-XXX | 568 | GREEN | DIFFUSED | 2 | 2.1 | 2.6 | 2 | 40 | 3GDL-S |
| H131CYDL-XXX | 590 | YELLOW | DIFFUSED | 2 | 2.0 | 2.6 | 2 | 40 | 3YDL-S |
| H131CHDL-XXX | 625 | HE RED | DIFFUSED | 2 | 2.0 | 2.6 | 2.5 | 40 | 3HDL-S |
| H131CRDL-XXX | 700 | RED | DIFFUSED | 2 | 2.1 | 2.6 | 0.5 | 40 | 3RDL-S |
| 5 VOLT | | | | Data @ 5V | | | | | |
| H131CGD5V-XXX | 568 | GREEN | DIFFUSED | 8 | - | 5.0 | 25 | 40 | 3GD5V-S |
| H131CYD5V-XXX | 590 | YELLOW | DIFFUSED | 8 | - | 5.0 | 20 | 40 | 3YD5V-S |
| H131CHD5V-XXX | 625 | HE RED | DIFFUSED | 8 | - | 5.0 | 30 | 40 | 3HD5V-S |

| | | | |
|--|--------------------------|---|-----------------------|
| STANDARD TOLERANCE (UNLESS OTHERWISE SPECIFIED) $\pm 10\%$ ALL VALUES ANGULAR | |  BIVAR [®] 4 THOMAS, IRVINE, CA. 92618 TEL: (949) 951-8808 FAX: (949) 951-3974 | |
|  | | | |
| DESIGNED: D. Green | DATE: 06/11/03 | TITLE: T-1 (3MM) 90° SINGLE-LEVEL VAR. C/L LED ASSY | |
| CHECKED: M. Chen | DATE: 06/11/03 | PART NO: H131CXX-XXX | REVISION: J |
| | | CAGE CODE : 32559 | SHEET # 2 OF 2 |
| CAD GENERATED DOCUMENT. DO NOT MEASURE DRAWING. | | | |